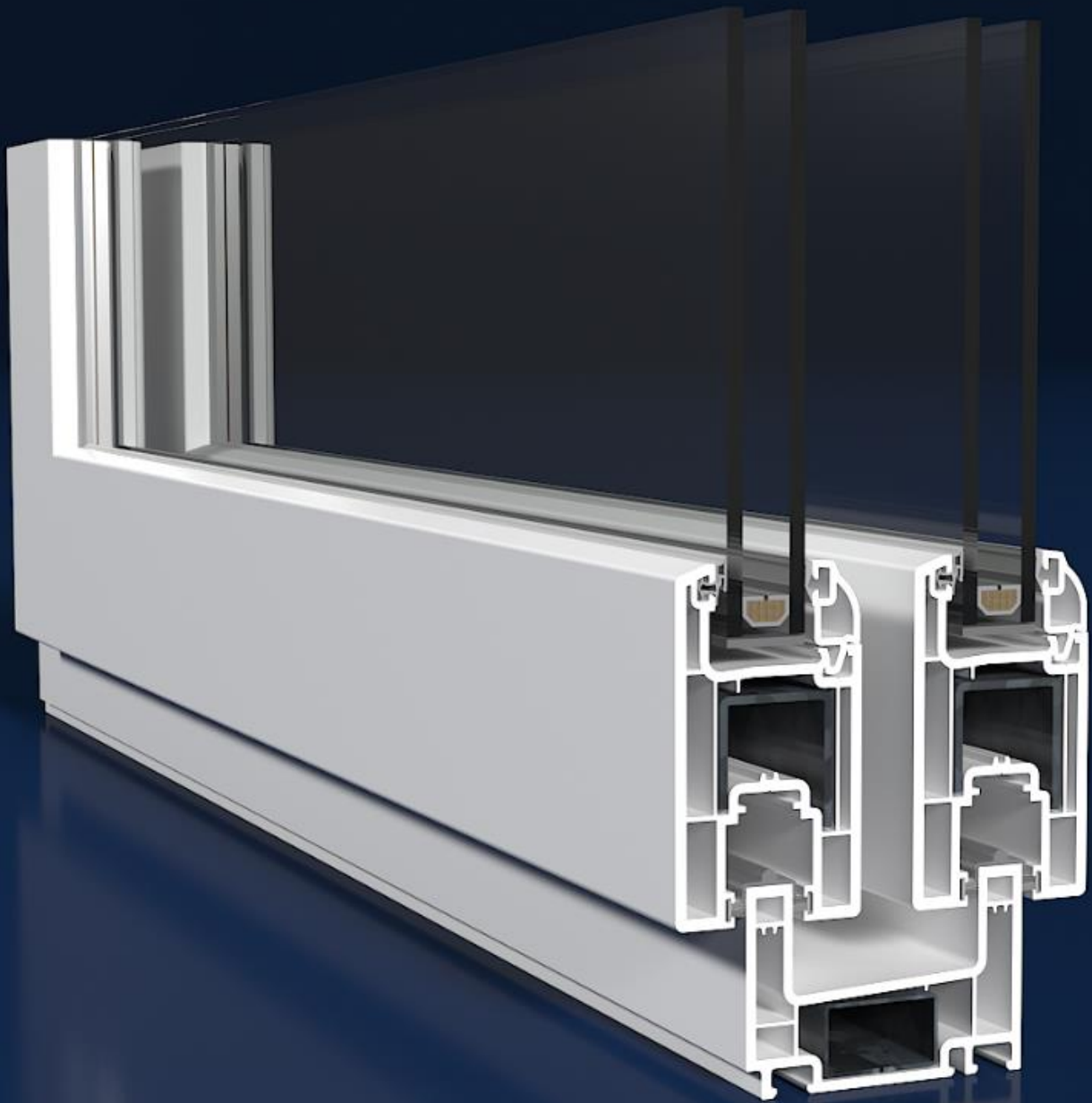


SLIDING TECHNICAL MANUAL

deceuninck



Technical Manual

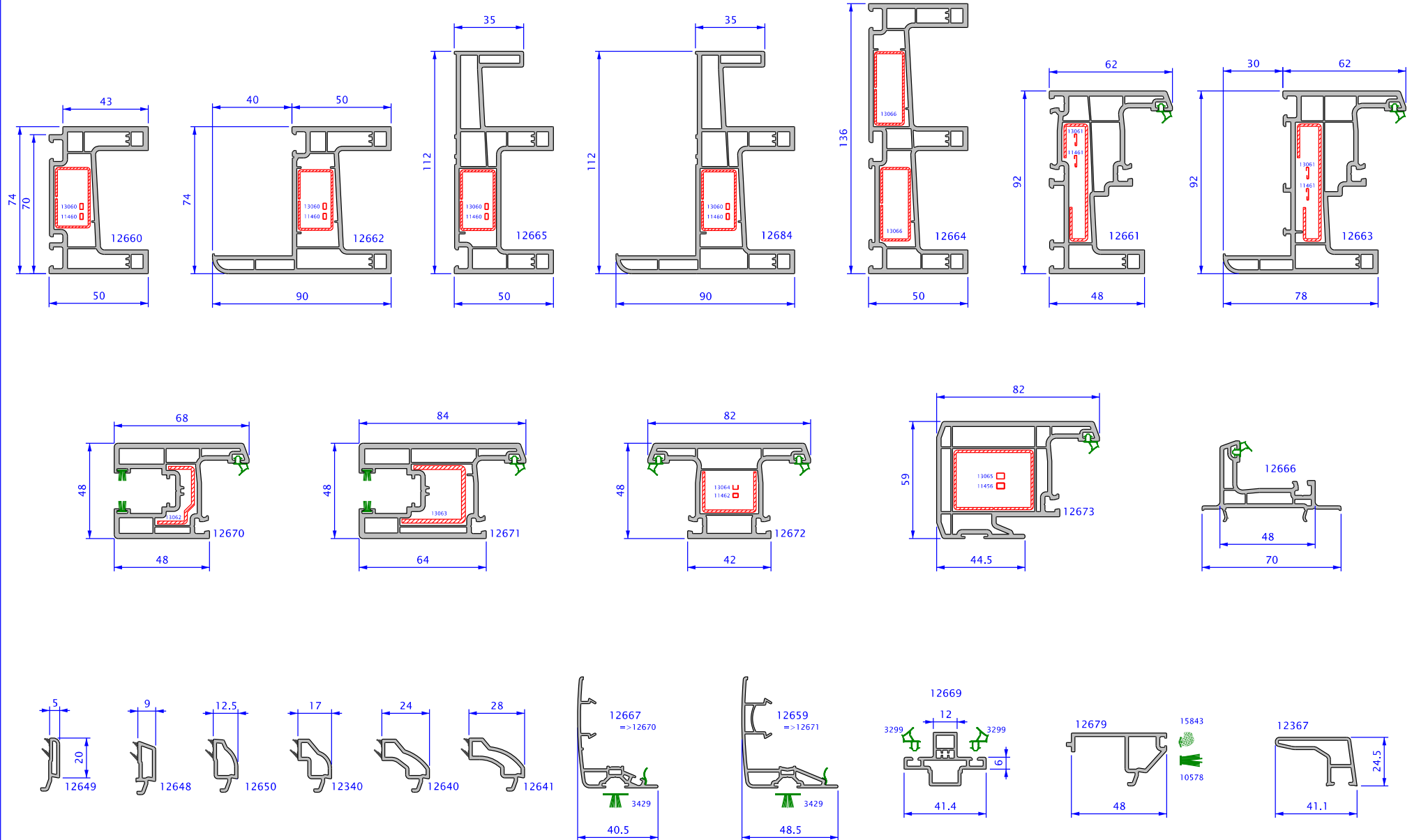
August 2020



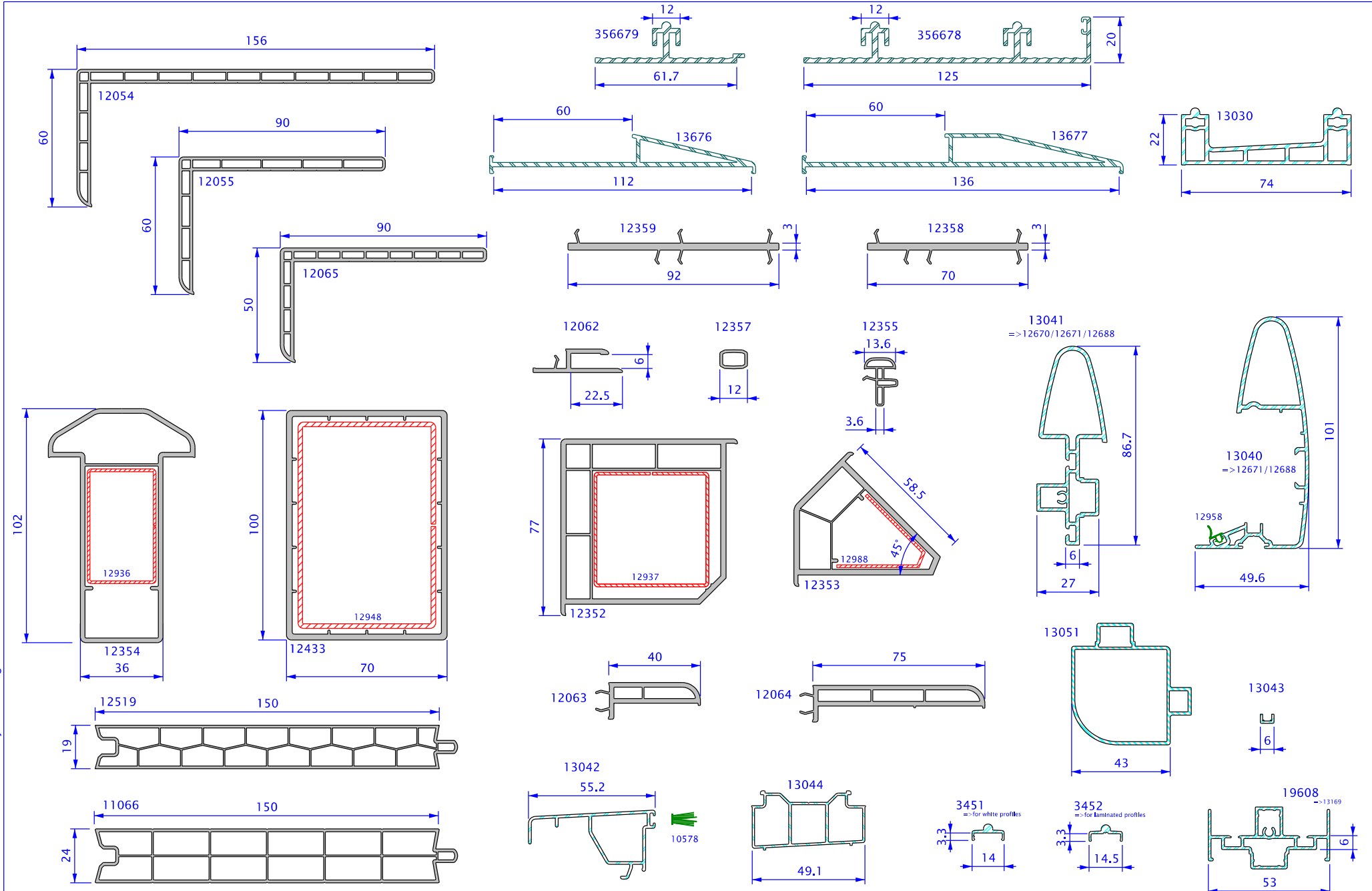
Building a sustainable home

www.egepen.com

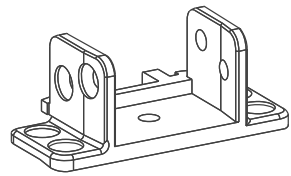
	page number
System overview	1 – 9
Main profiles	1
Accessory profiles	2
Accessory products	3
Glazing beads	4
Reinforcements	5 – 6
Application of accessory products	7 – 9
Main profiles	10 – 15
Aluminum profiles	16
Sections	17 – 70
Coupling	41
Frame Connections Details	42
Alfresco sections	43 – 44
Sliding Aluminum Bottom Frame	45
Sliding Aluminum Double Rail Threshold	46
Sliding Aluminum Threshold Addition	47
Australia sections	48 – 70
Flyscreen	
System overview	71
Sections	72 – 91
Aluminium flyscreen details	92 – 97



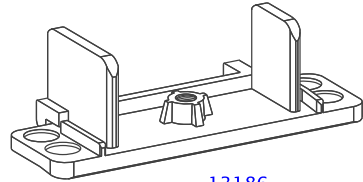
Technical documents are subject to change without notice



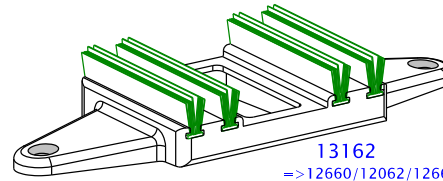
Technical documents are subject to change without notice



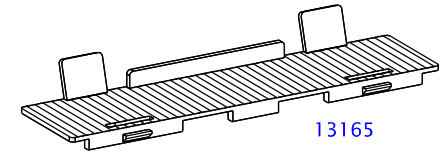
13185
=>12661/12671



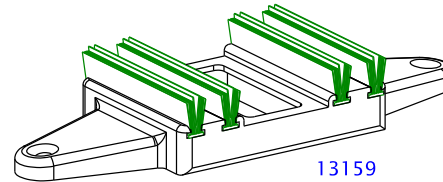
13186
=>12673



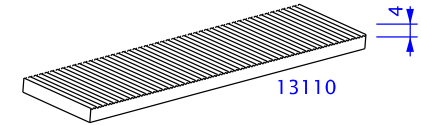
13162
=>12660/12062/12664



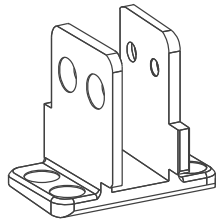
13165



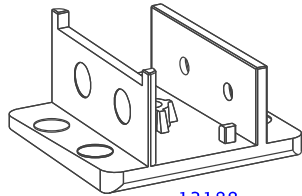
13159
=>12665



13110



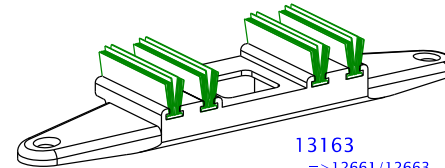
13187
=>12661



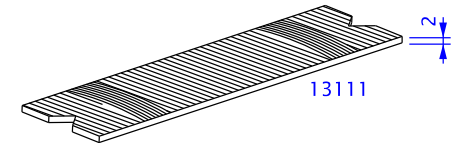
13188
=>12660



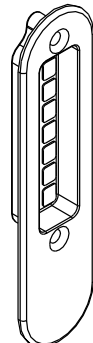
10571
=>13030



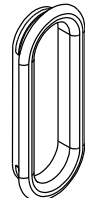
13163
=>12661/12663



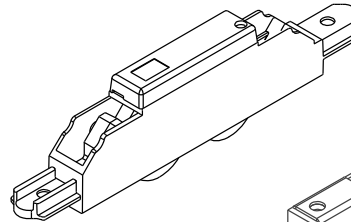
13111



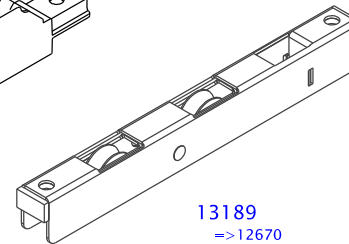
13161
=>12667-12659



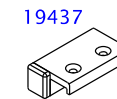
13119



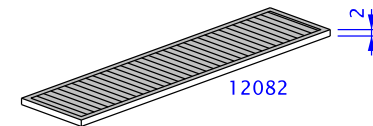
13135
=>12671



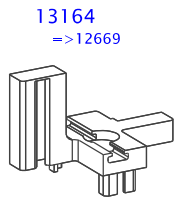
13189
=>12670



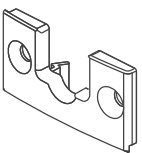
19437



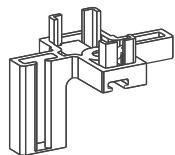
12082



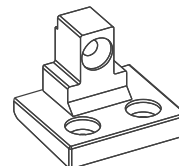
13164
=>12669



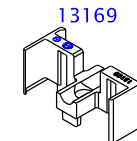
13116
=>12367



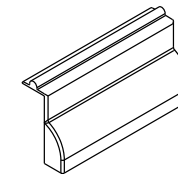
13689



13166
=>12660/61/63/64/65



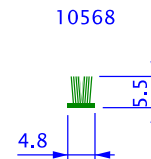
13169



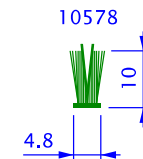
13514



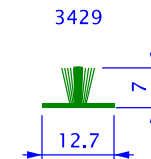
13113



10568



10578



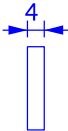
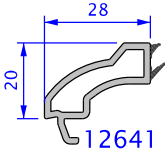
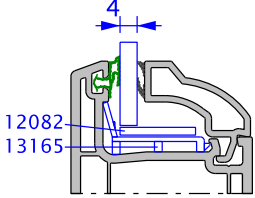

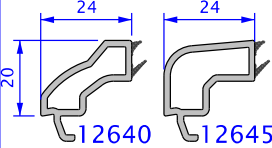
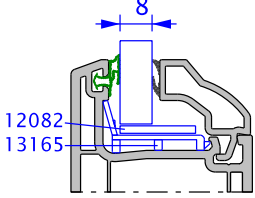
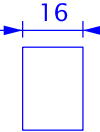
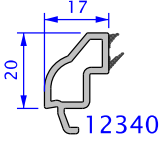
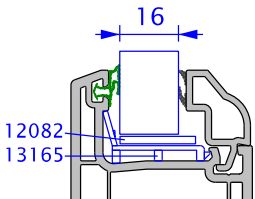
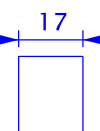
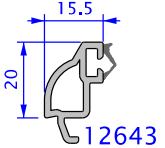
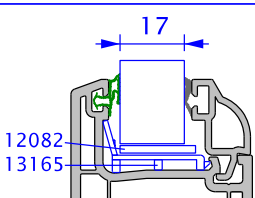
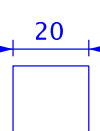
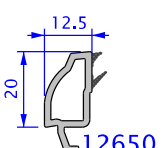
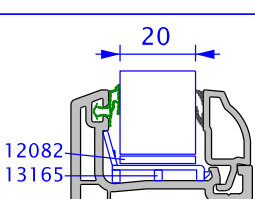

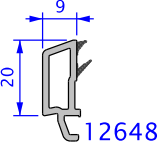
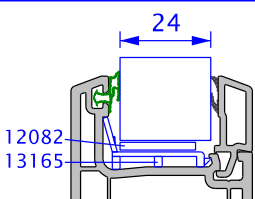
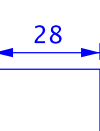
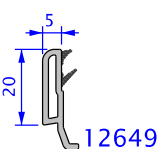
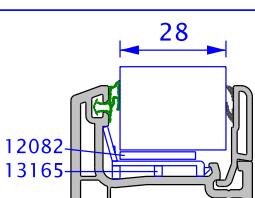
3429

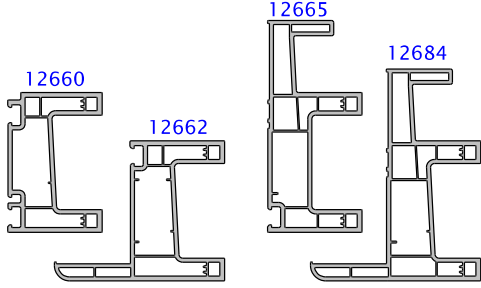
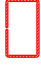
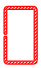
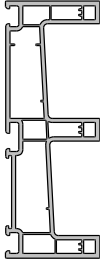

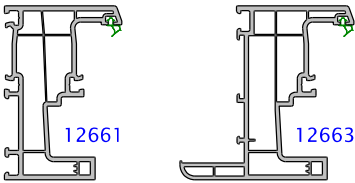


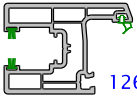

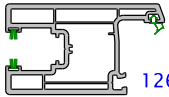



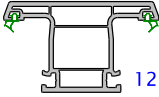


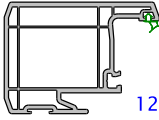

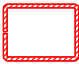
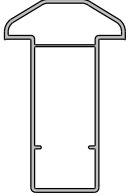

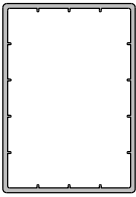
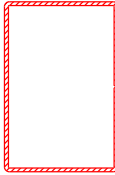
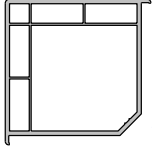
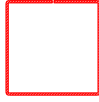
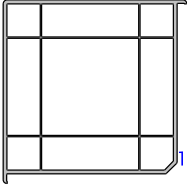
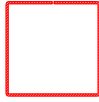
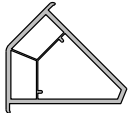
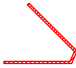
3299

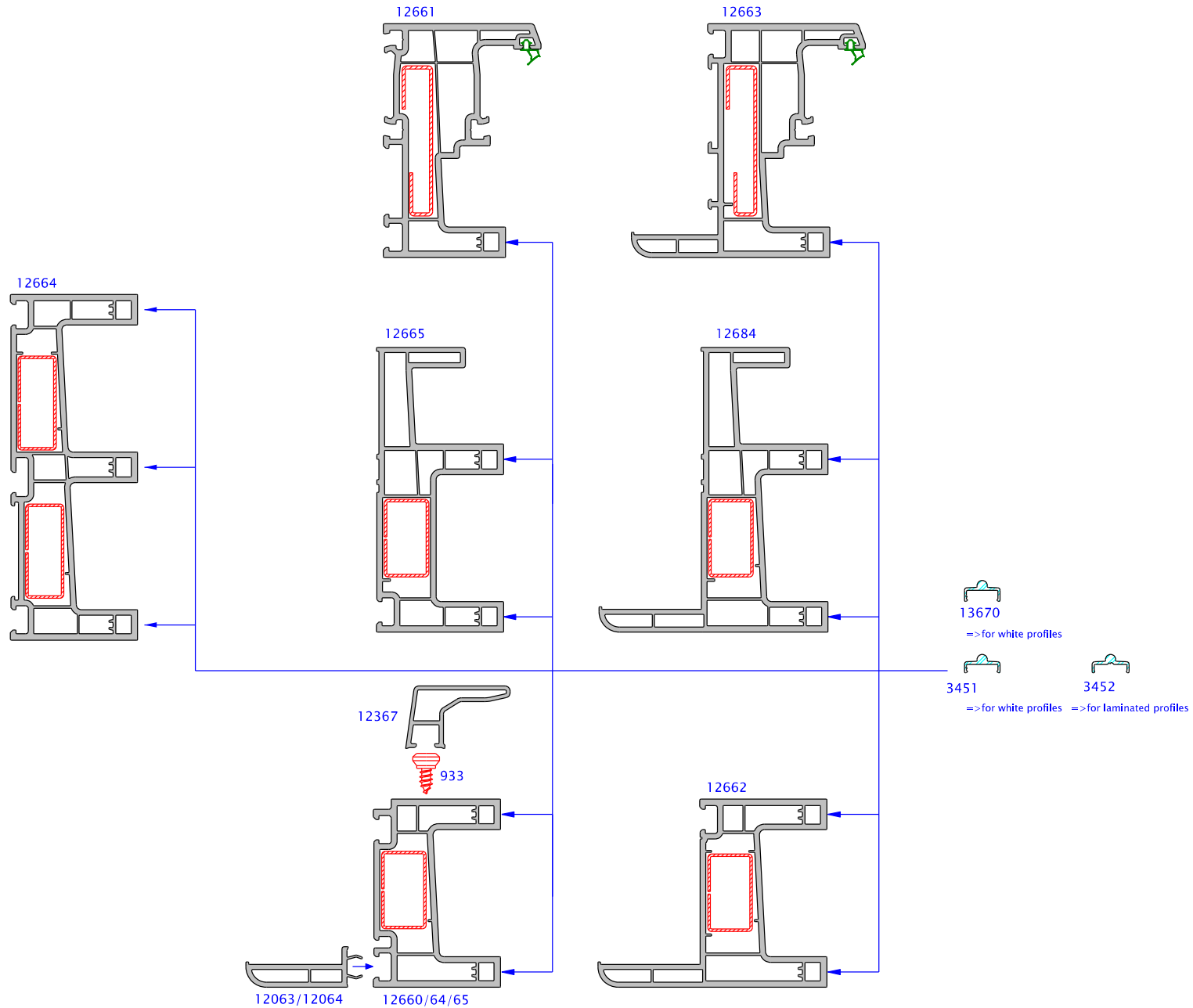


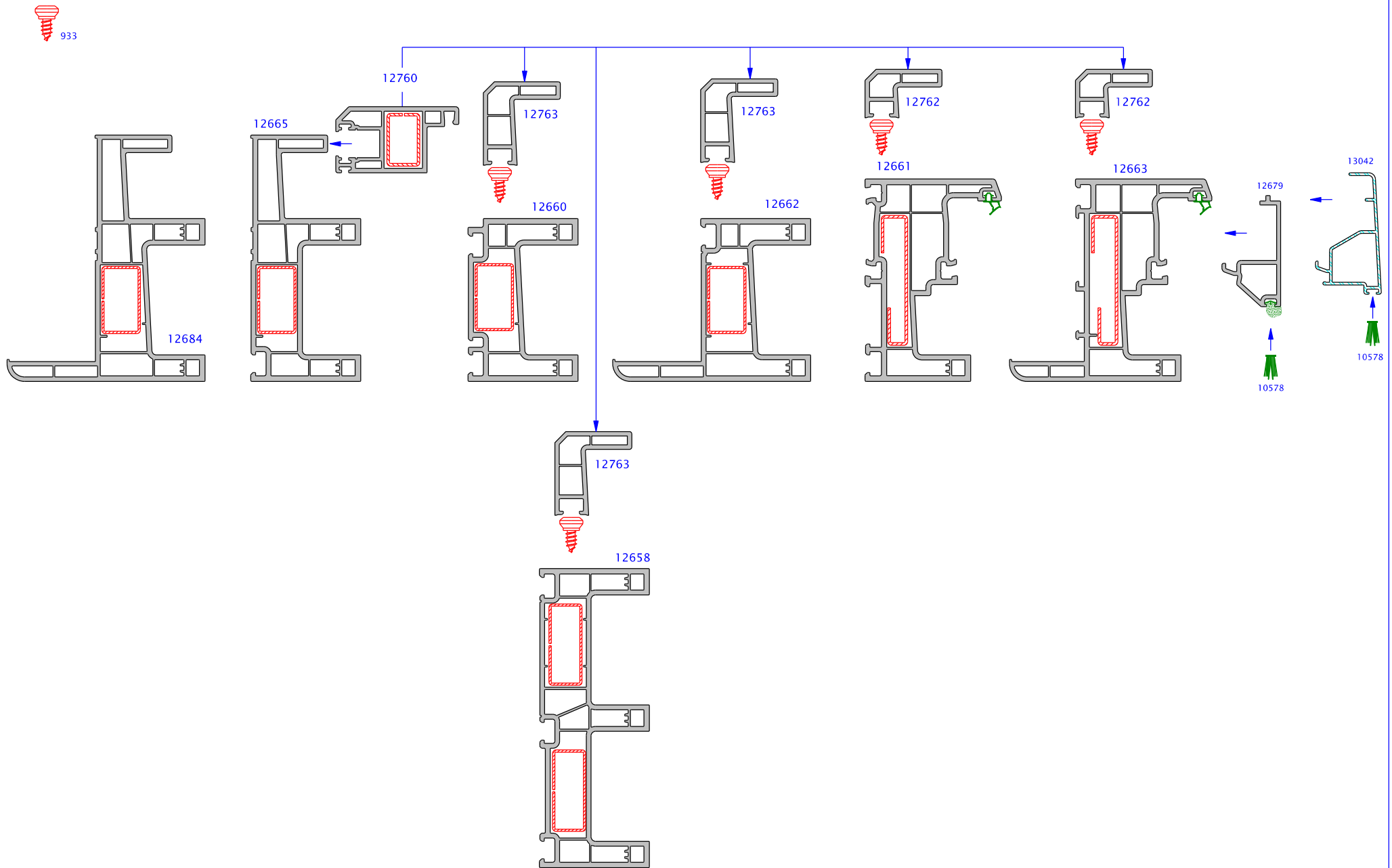
12958

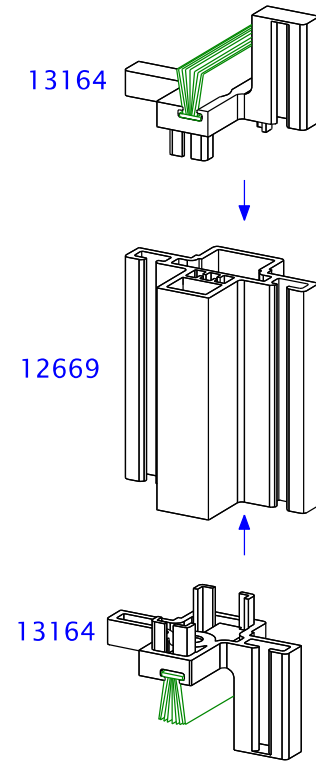
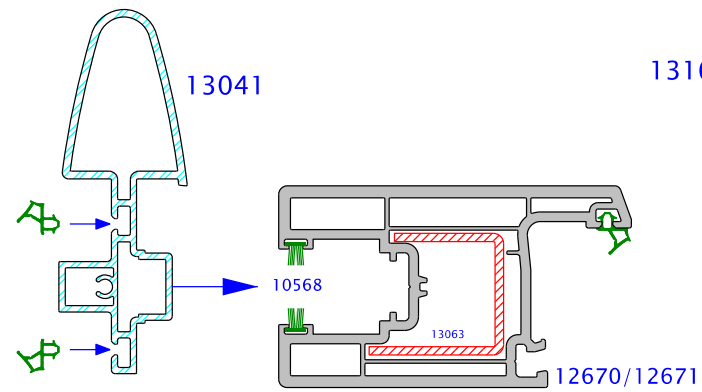
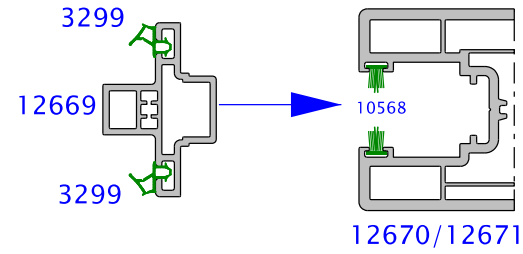
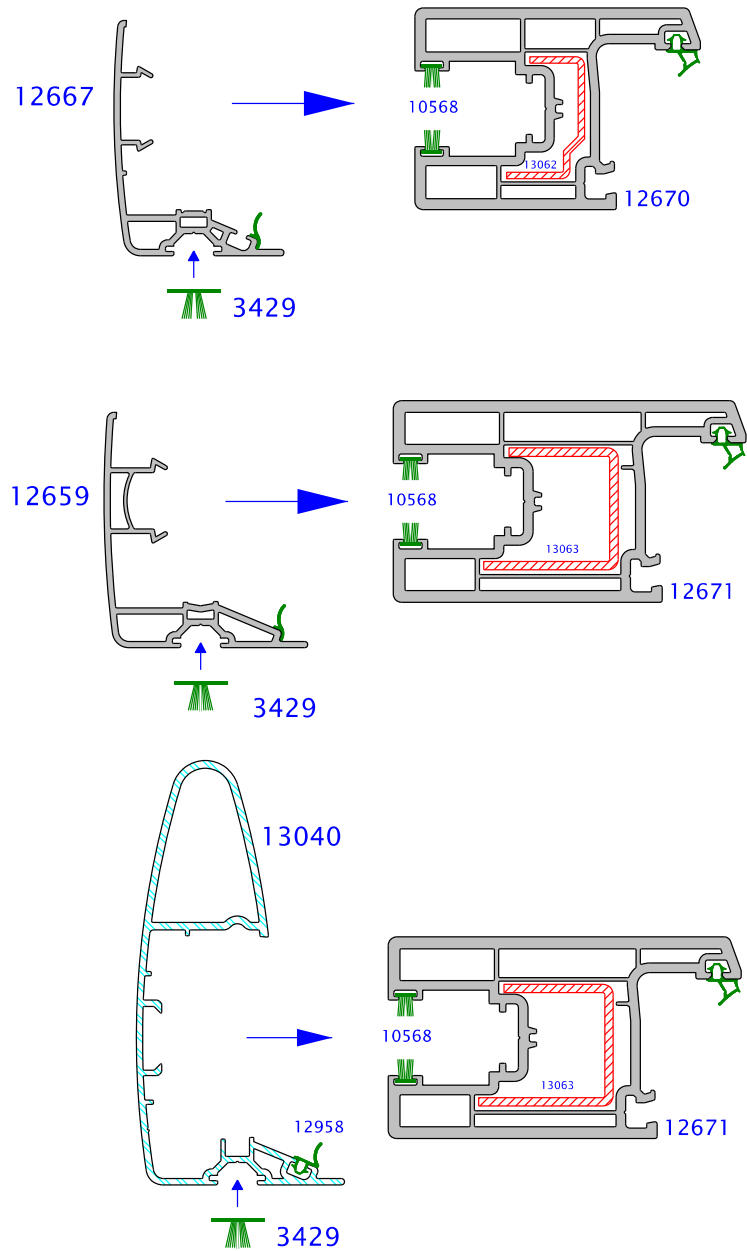
CAM KALINLIKLARI (mm)		CAM ÇITALARI	DETAYLAR
4 mm			
8 mm			
16 mm			
17 mm			
20 mm			
24 mm			
28 mm			

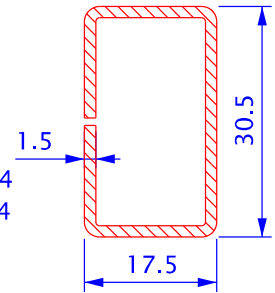
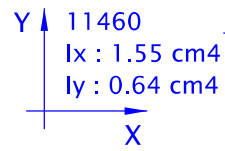
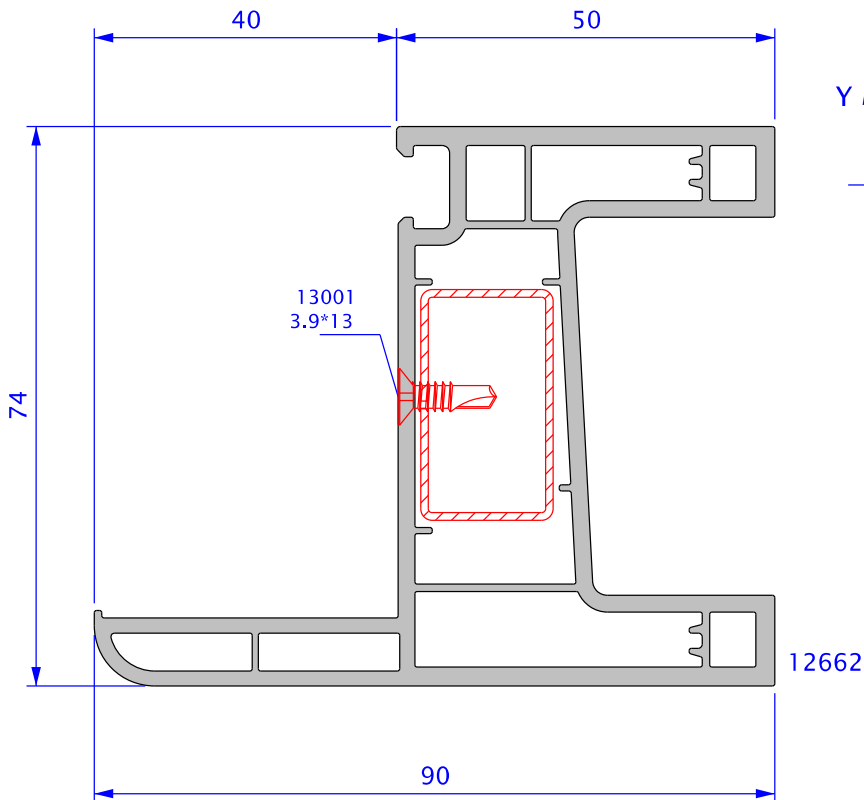
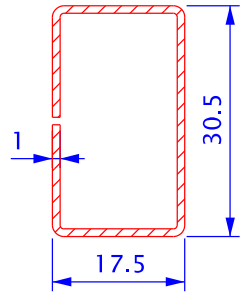
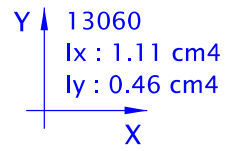
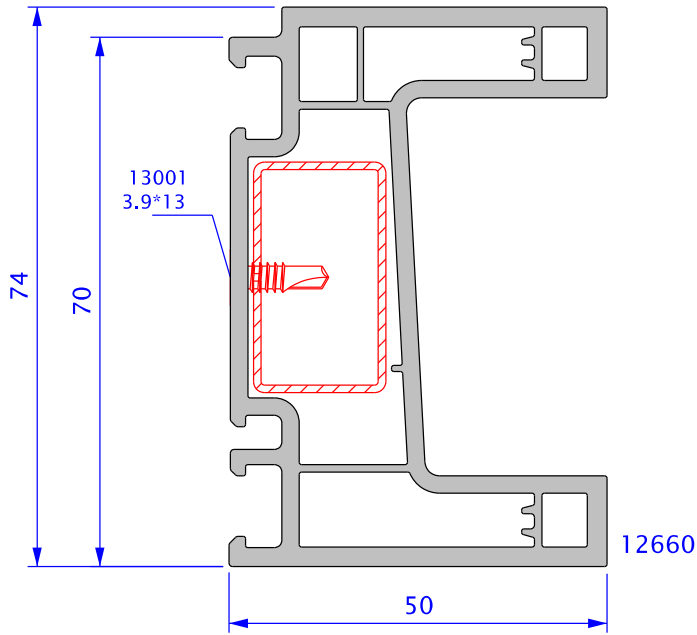
Profiles	Reinforcements	Dimension	Ix (cm ⁴)	Iy (cm ⁴)
	13060 	17.5x30.5x1	1.1088	0.4653
	11460 	17.5x30.5x1.5	1.5534	0.6409
	13066 	15x37x1	1.6254	0.3952
	13061 	17x12x59x9x17x1.2	5.3734	0.2442
	11461 	17x12x59x9x17x1.5	6.5156	0.2843
	13062 	13x29x18.5x1.5	0.9879	0.2065
	13063 	26x29x32x2	2.3117	1.4916

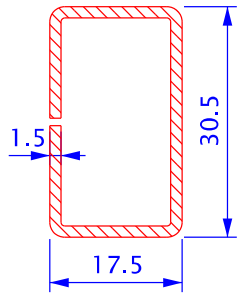
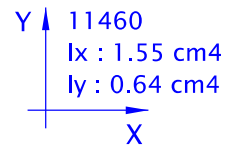
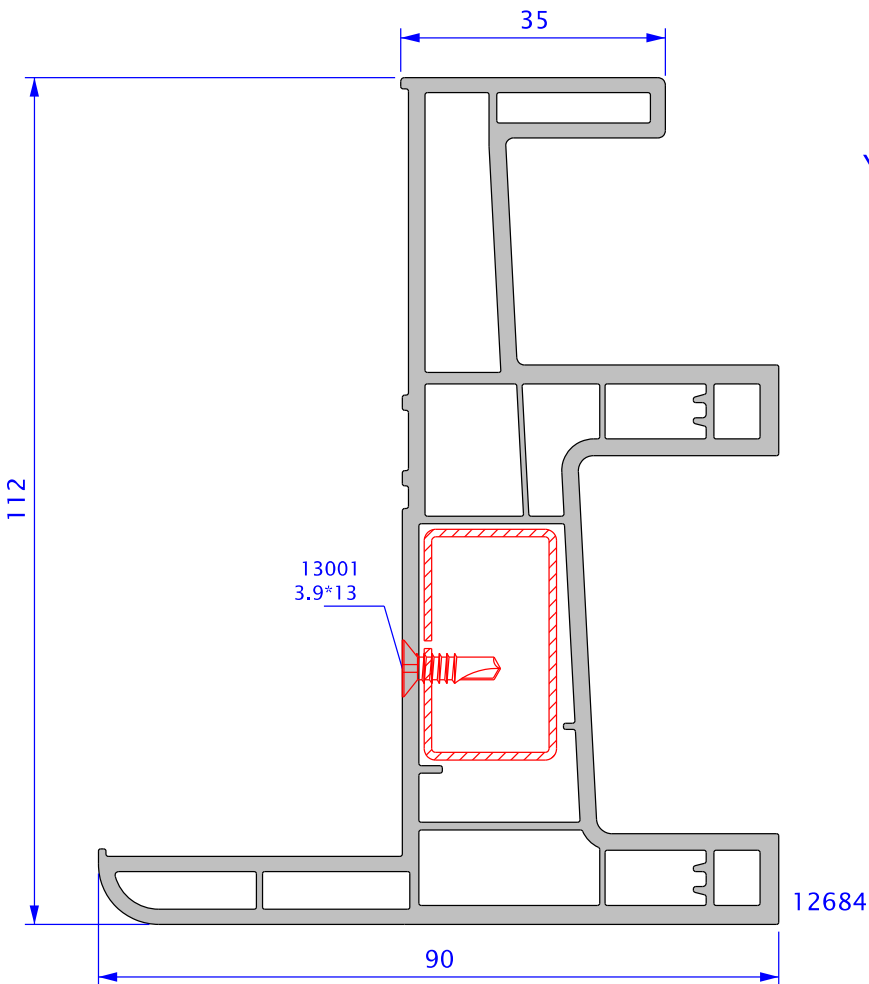
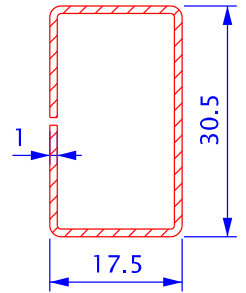
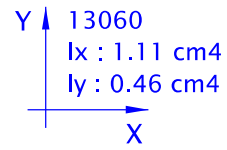
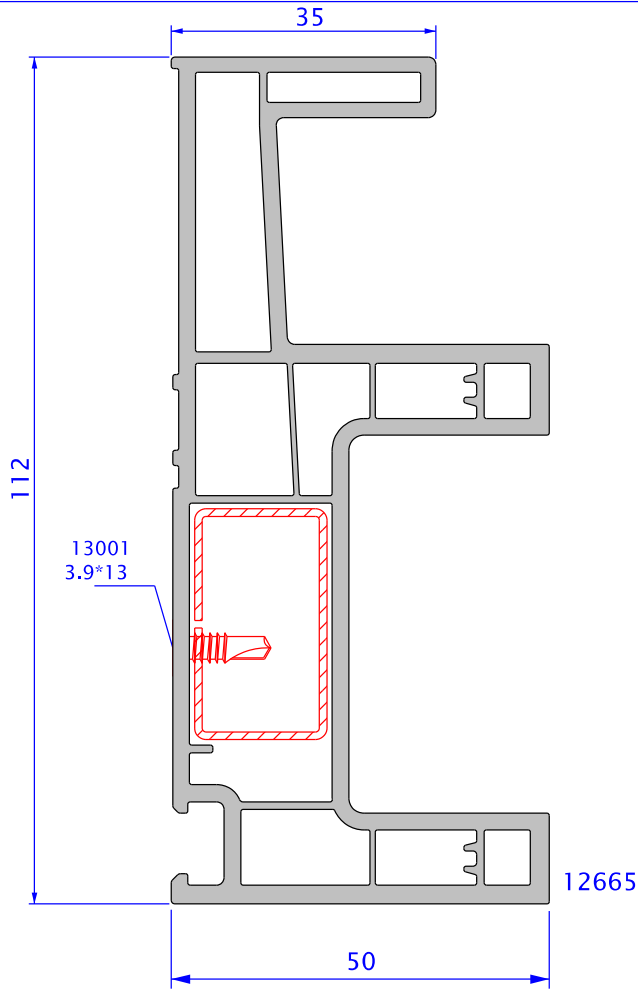
Profiles	Reinforcements	Dimension	Ix (cm ⁴)	Iy (cm ⁴)
 12672	13064 	20.5x27x20.5x1.2	0.3398	0.9484
	11462 	20.5x27x1.5	0.8350	1.2909
 12673	13065 	30x40x1.2	2.3507	3.6857
	11456 	30x40x2	3.6187	5.6223
 12354	12936 	50x30x50x14x14x1.2	6.3061	2.8487
 12433	12948 	60x90x60x44x44x2	35,69	66,26
 12352	12937 	50x50x50x24.5x24.5x1.2	9.09	9.16
 12372	12937 	50x50x50x24.5x24.5x1.2	9.09	9.16
 12353	12988 	32x7.2x38.6x1.2	0.97	0.95

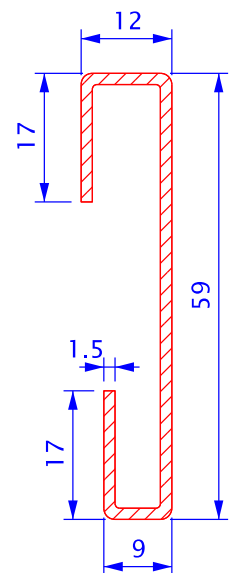
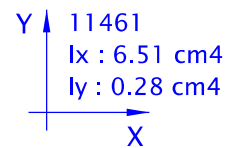
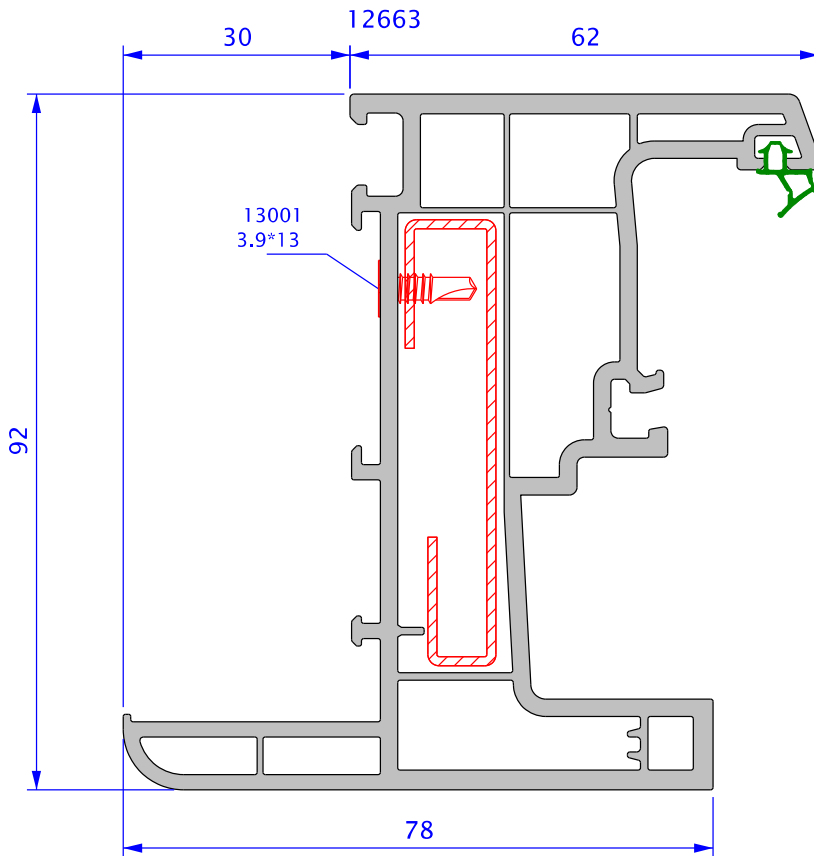
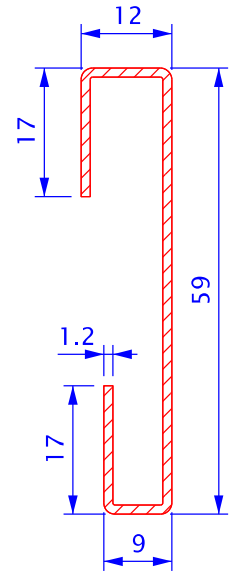
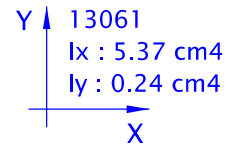
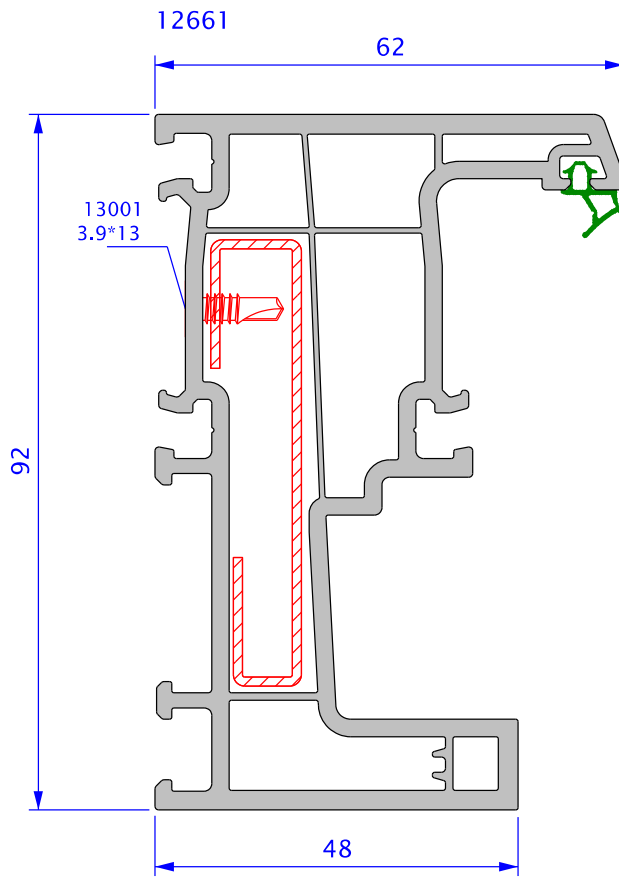


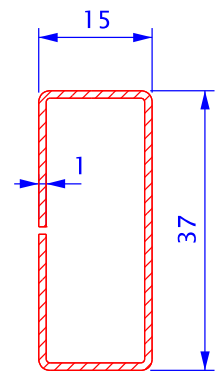
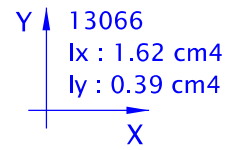
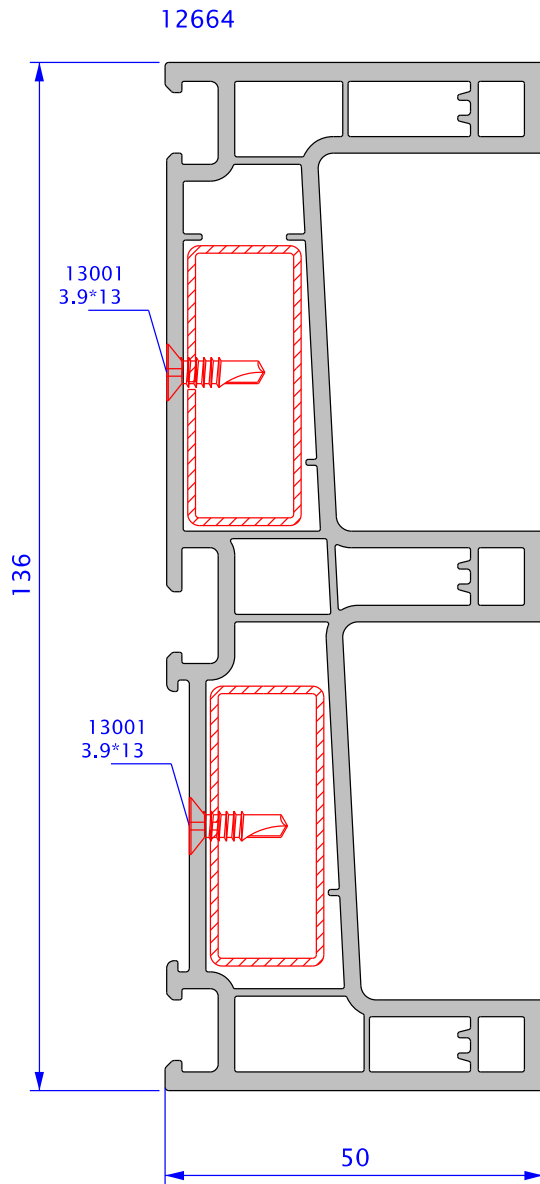


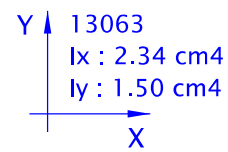
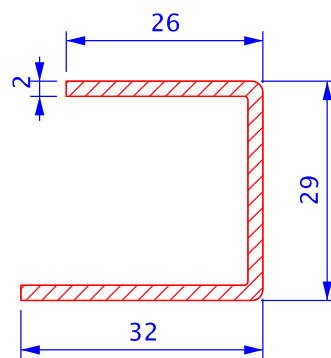
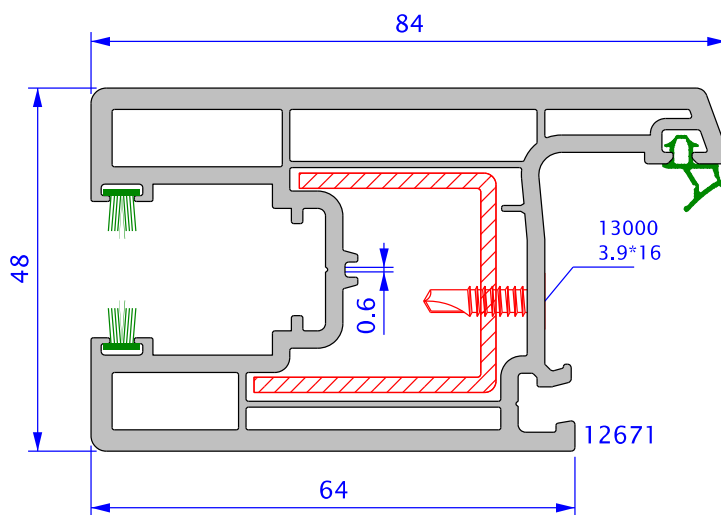
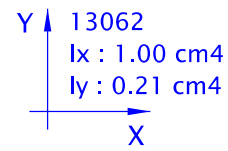
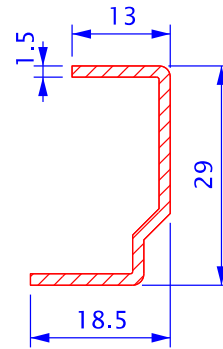
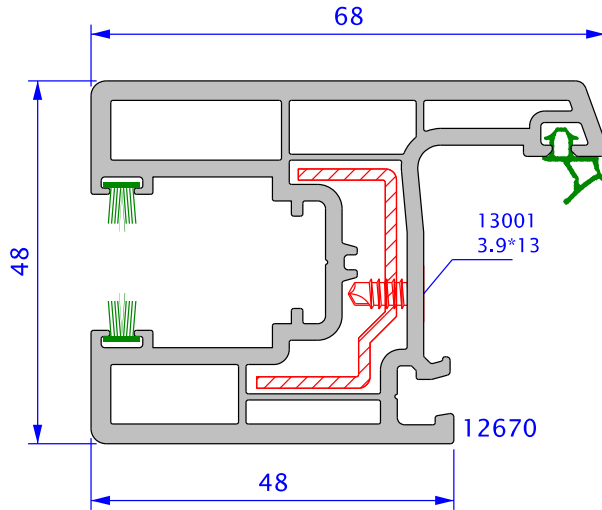


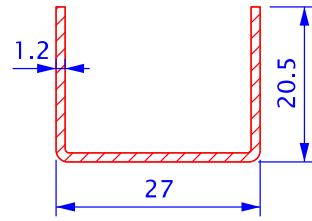
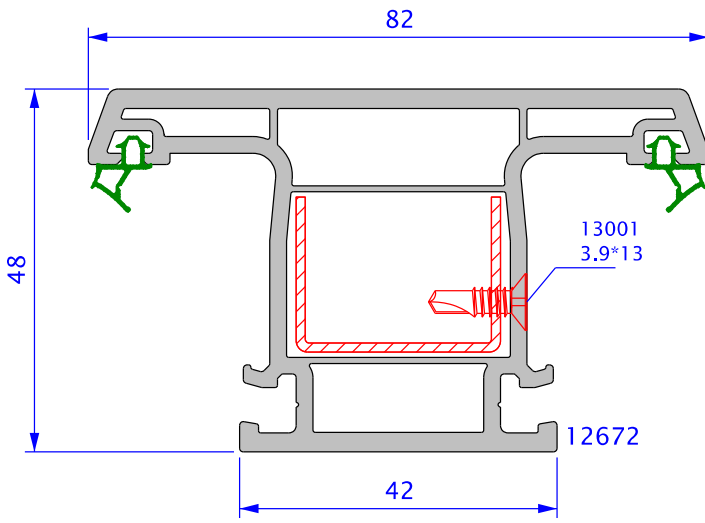




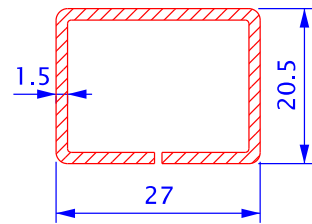




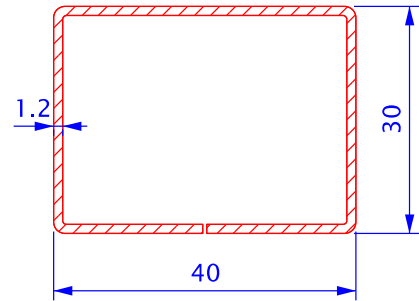
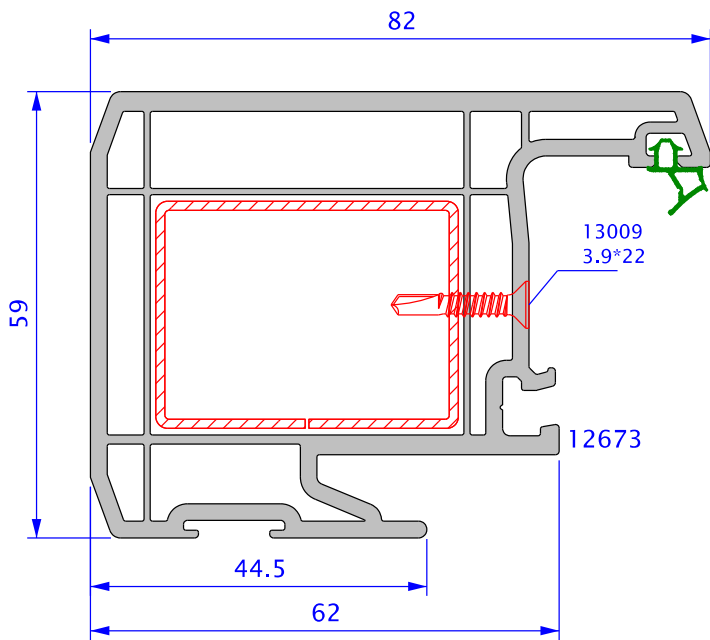




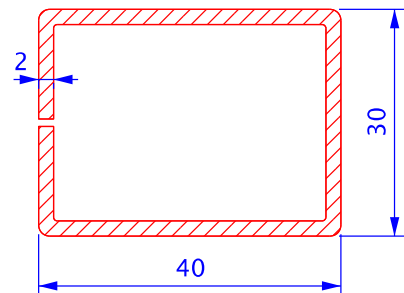
Y ↑ 13064
 $I_x : 0.34 \text{ cm}^4$
 $I_y : 0.95 \text{ cm}^4$
 X →



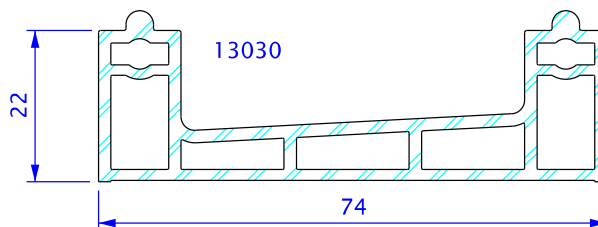
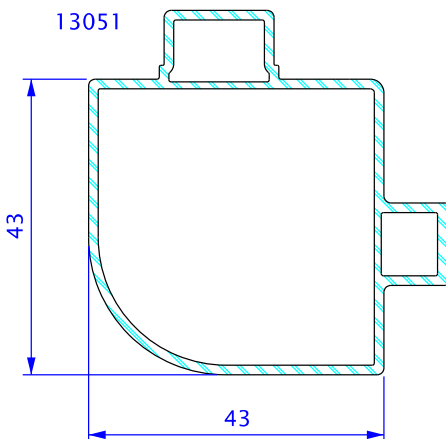
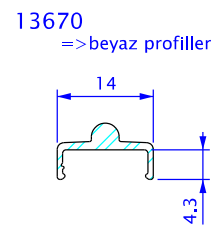
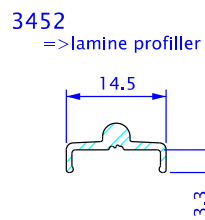
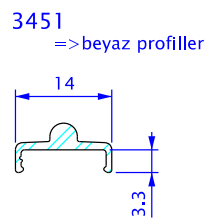
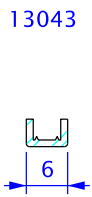
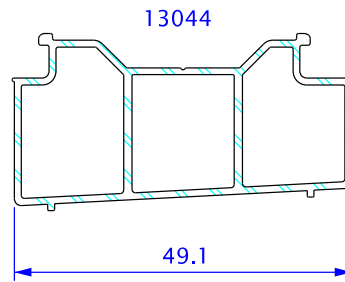
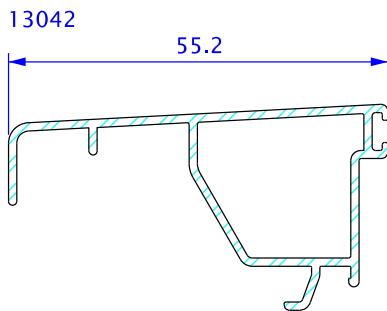
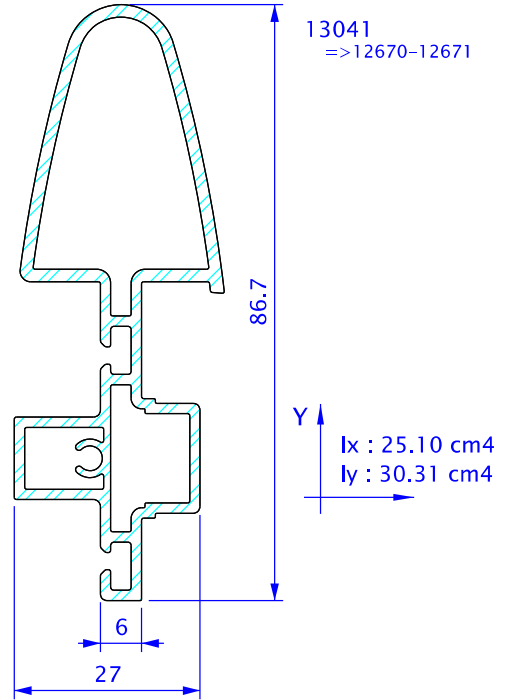
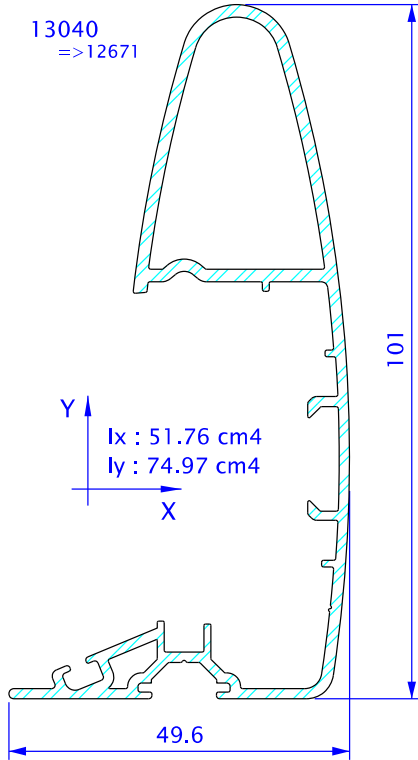
Y ↑ 11462
 $I_x : 0.84 \text{ cm}^4$
 $I_y : 1.31 \text{ cm}^4$
 X →

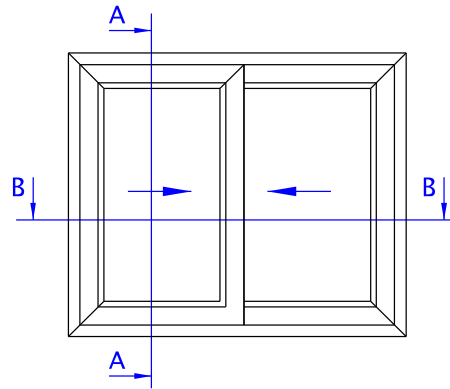


Y ↑ 13065
 $I_x : 2.36 \text{ cm}^4$
 $I_y : 3.70 \text{ cm}^4$
 X →

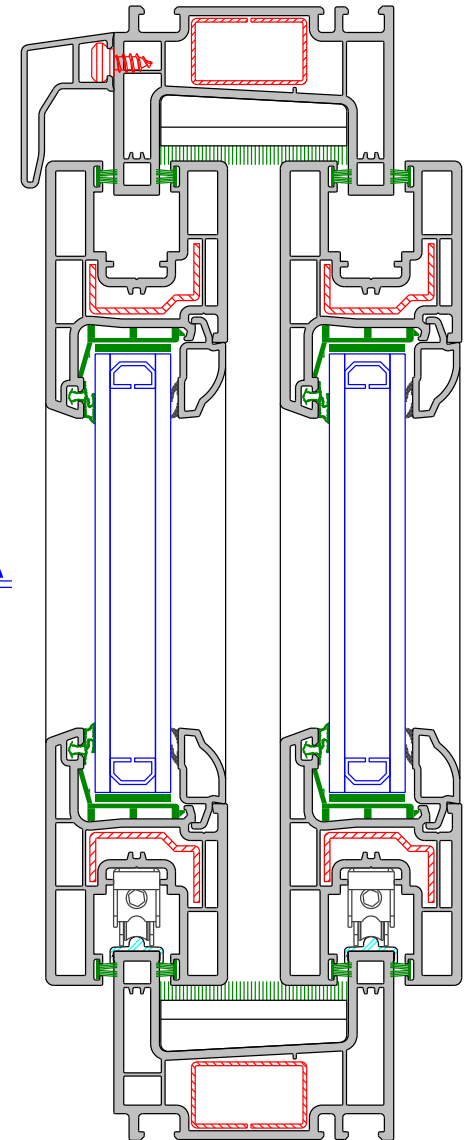


Y ↑ 11456
 $I_x : 3.68 \text{ cm}^4$
 $I_y : 5.75 \text{ cm}^4$
 X →

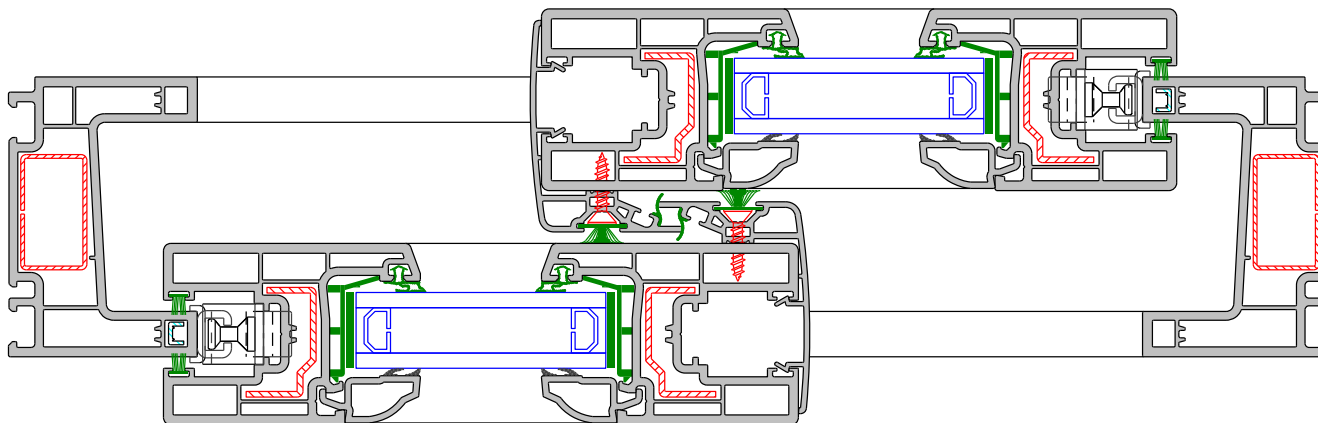


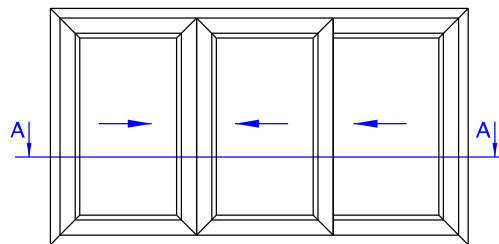


A-A

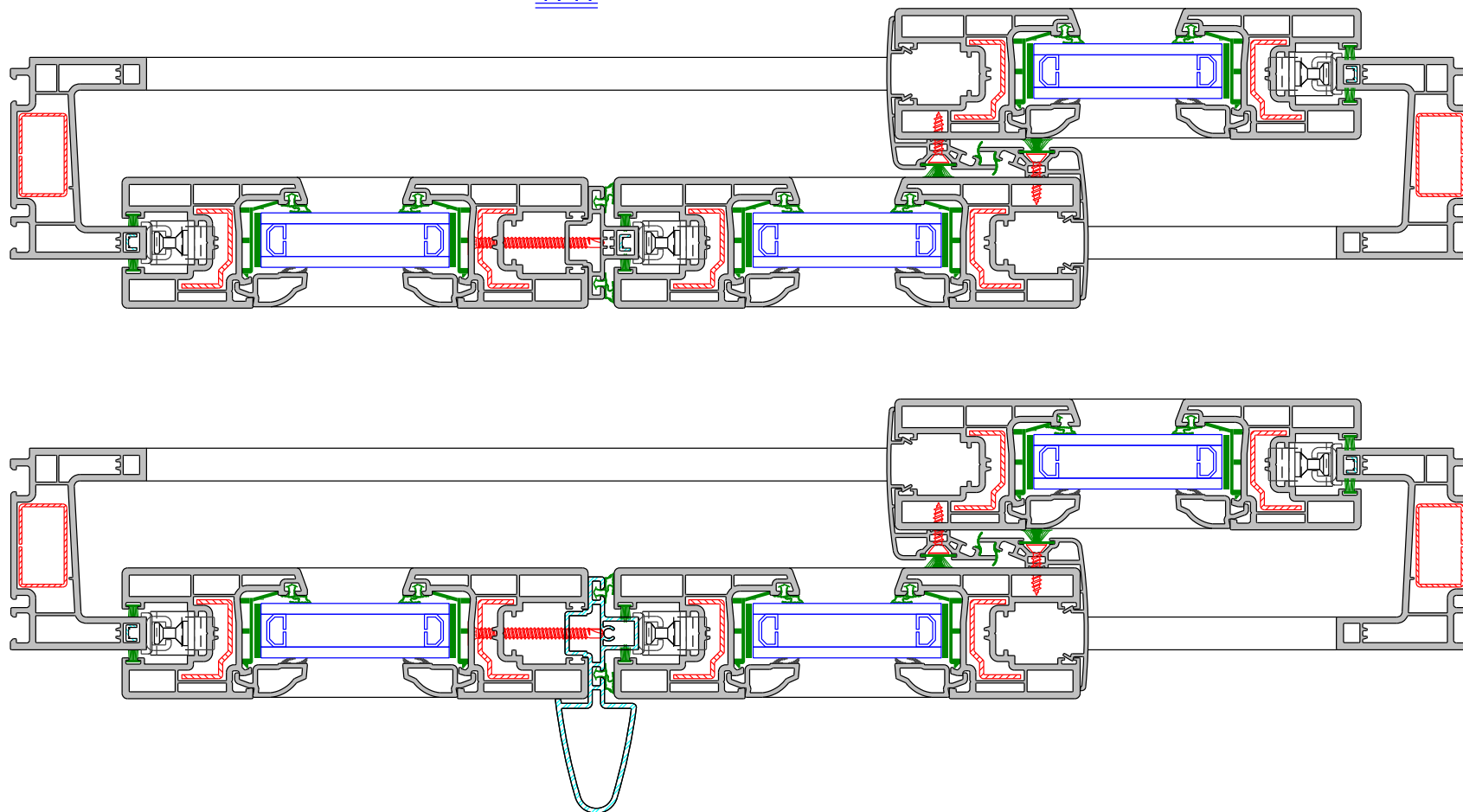


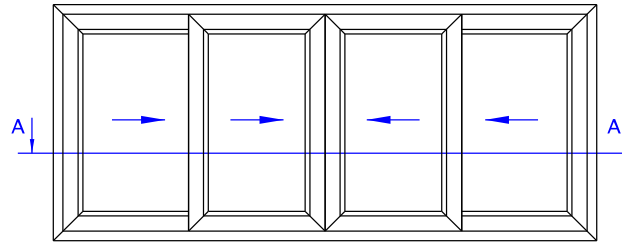
B-B



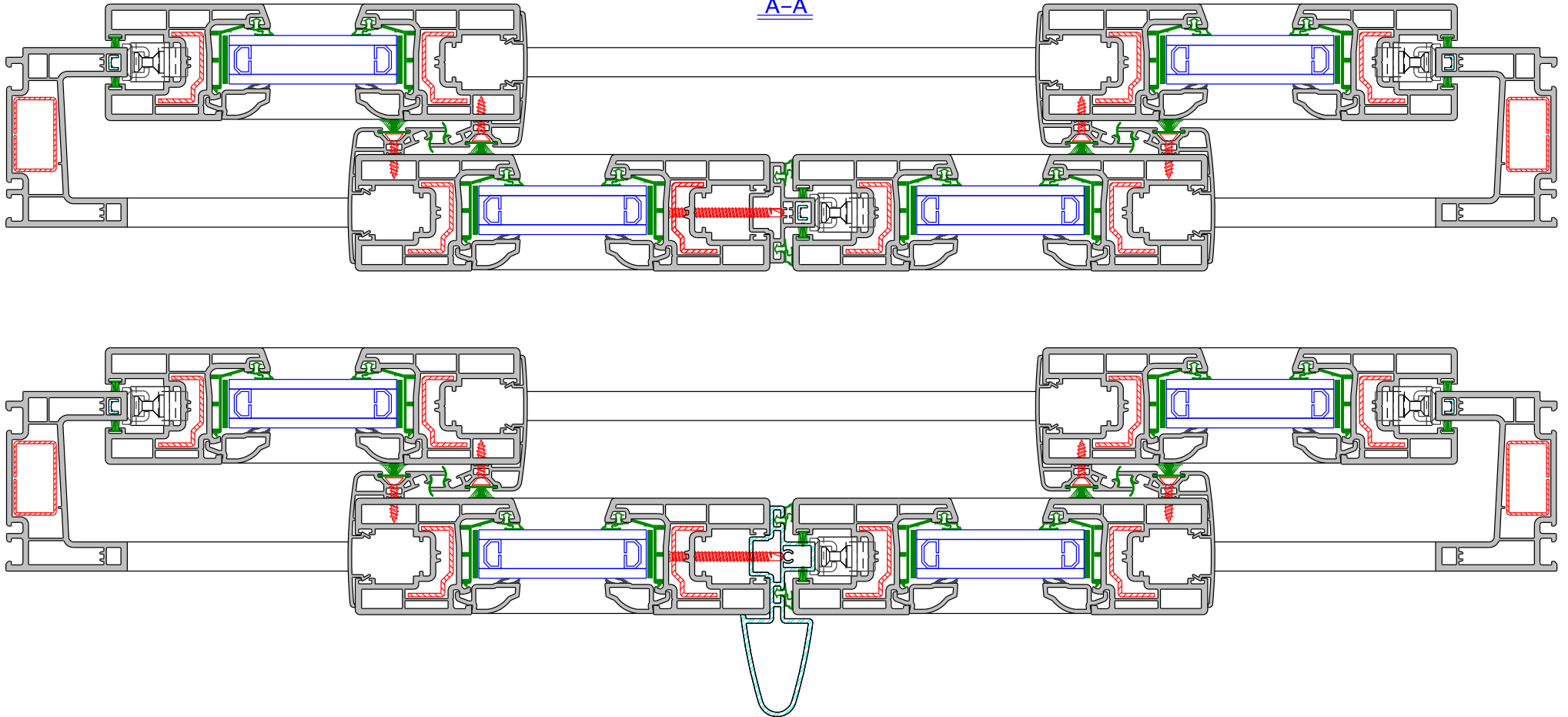


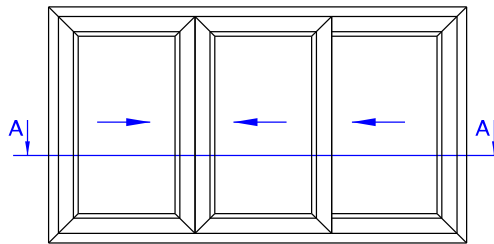
A-A



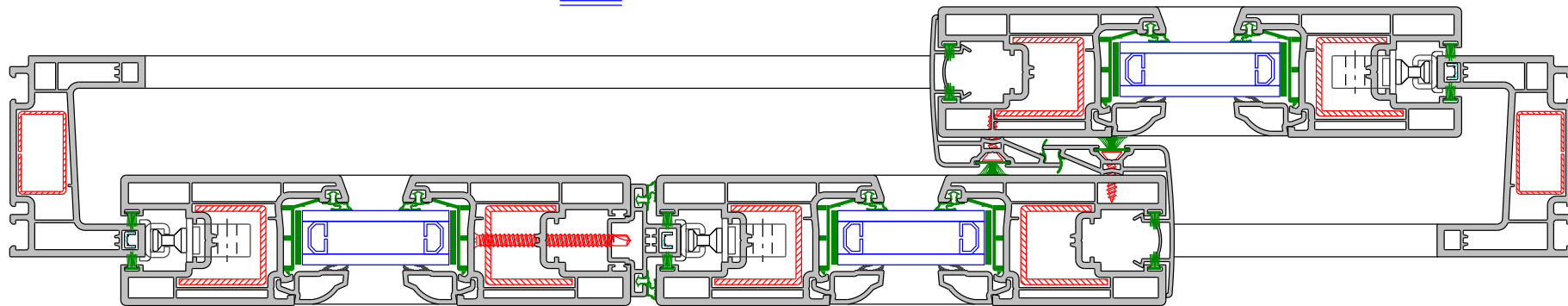


A-A

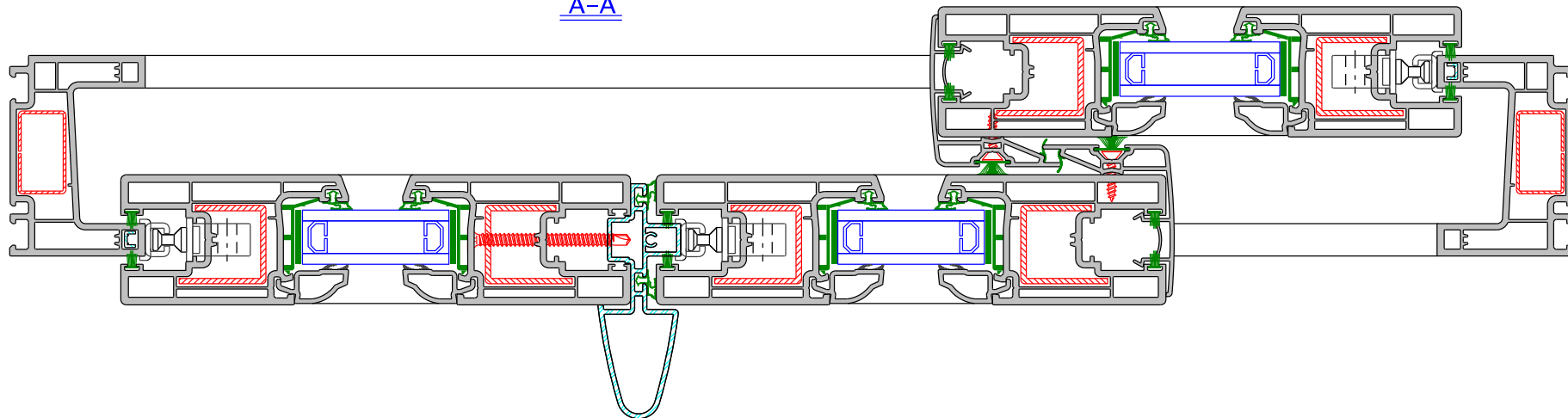


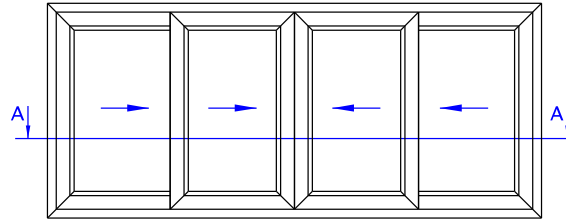


A-A

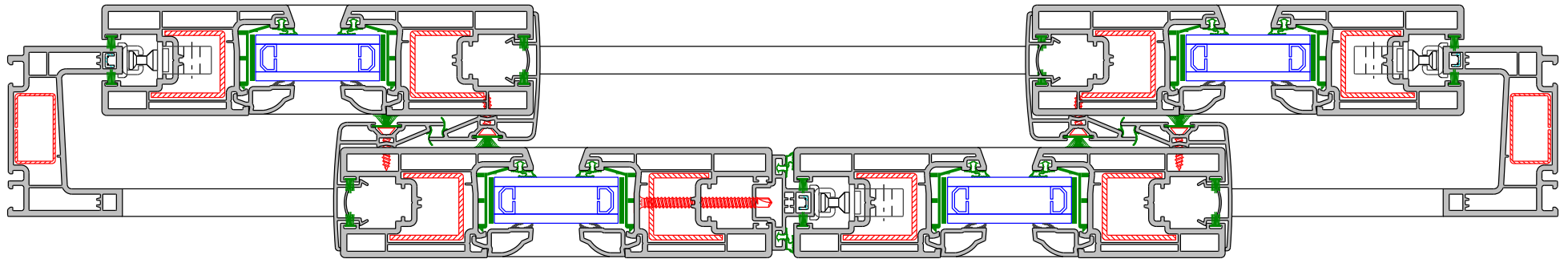


A-A

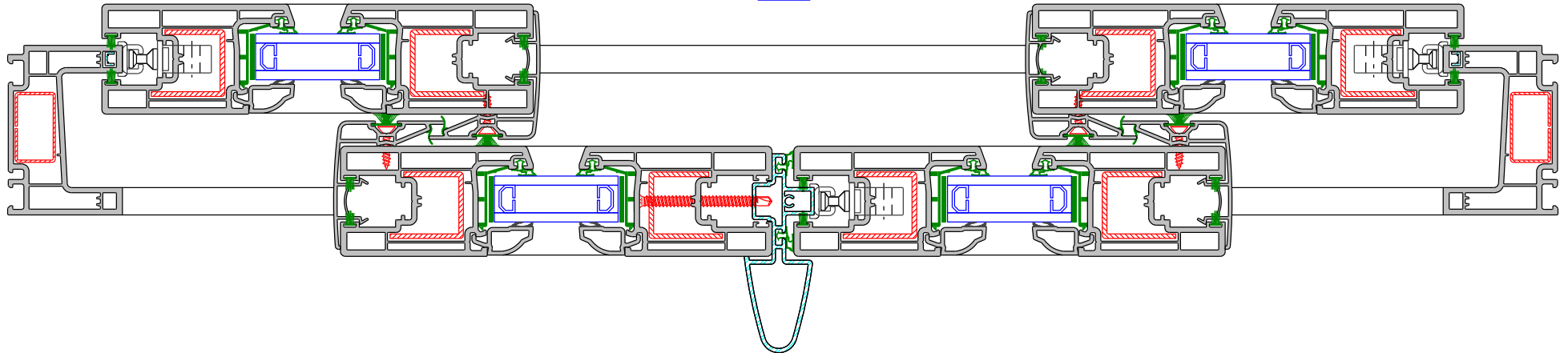


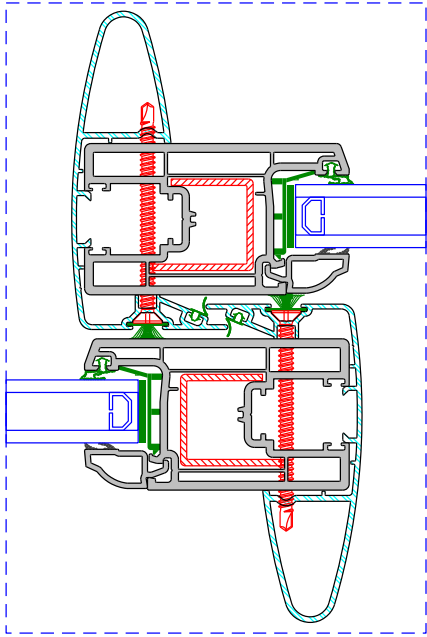
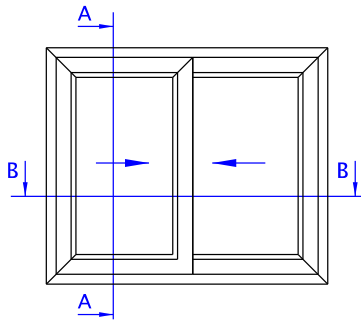


A-A



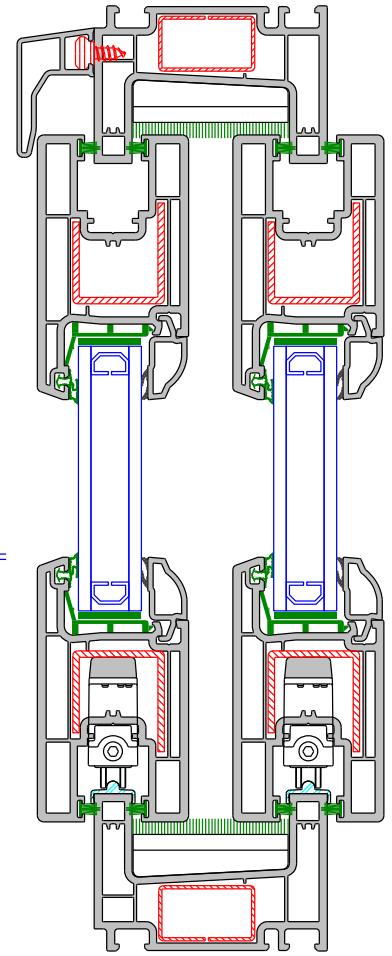
A-A



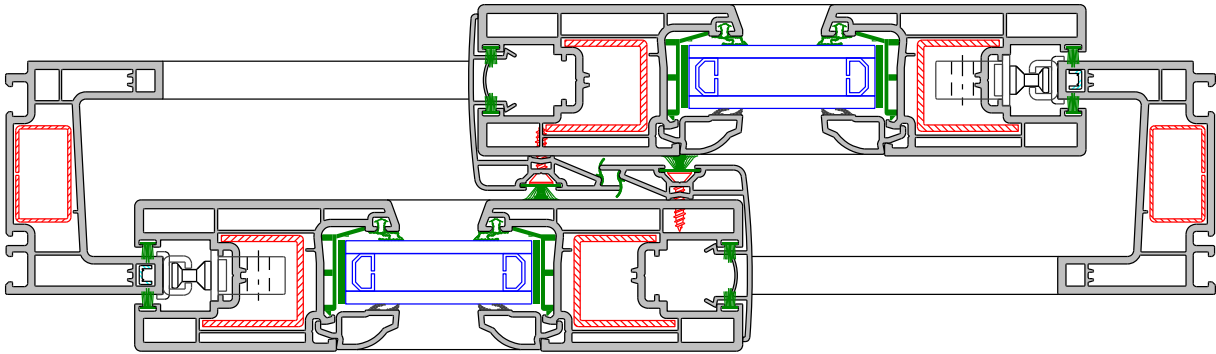


Alternatif-1

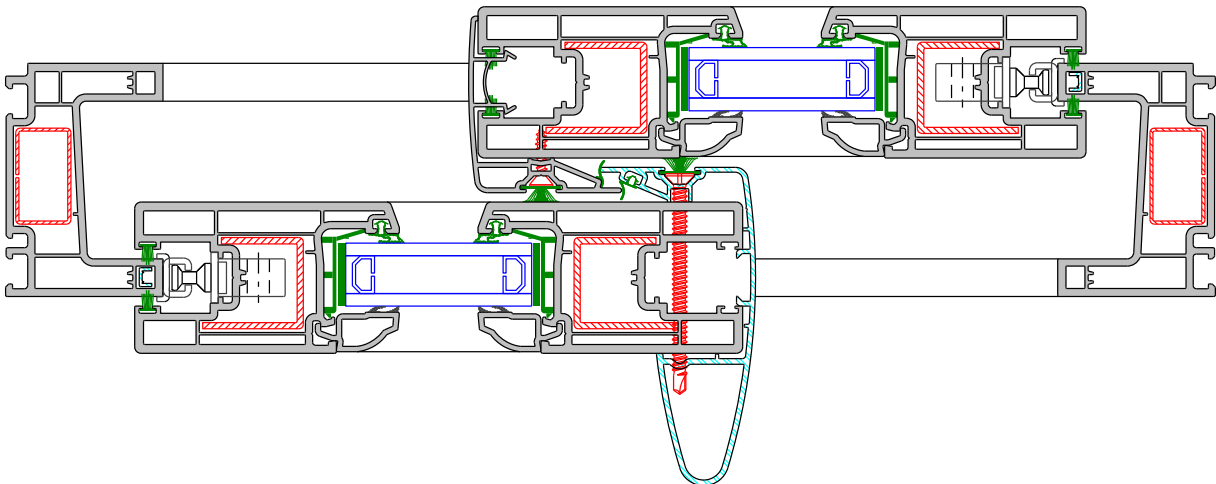
B-B



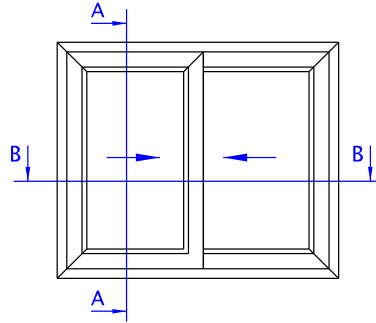
A-A



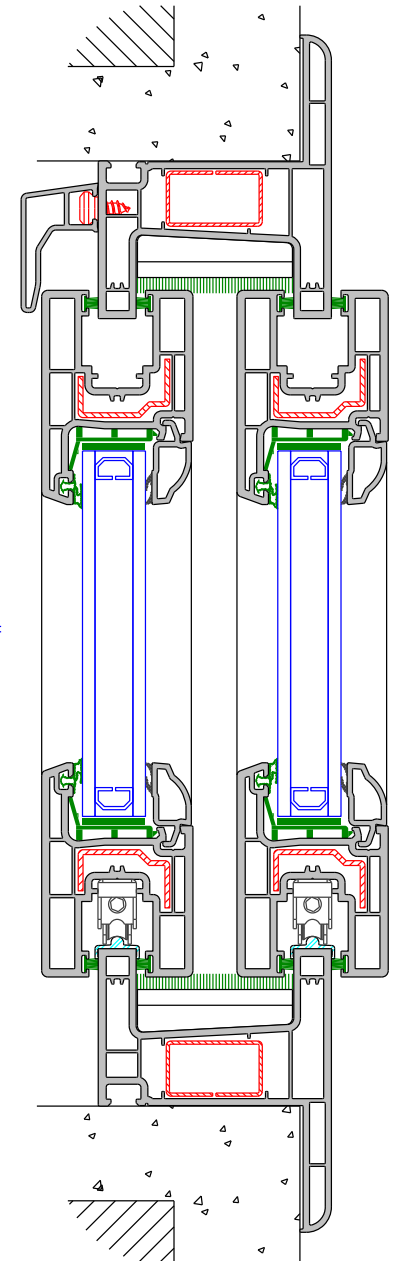
B-B



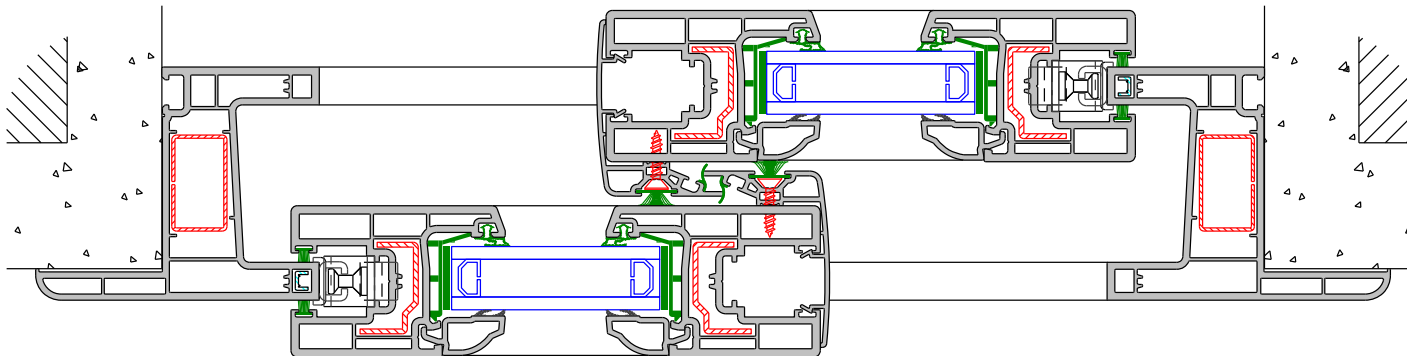
B-B

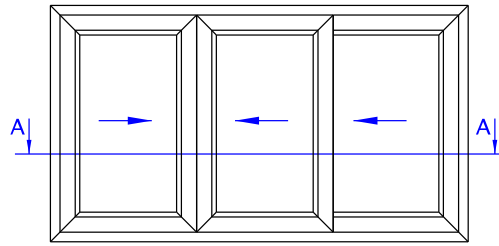


A-A

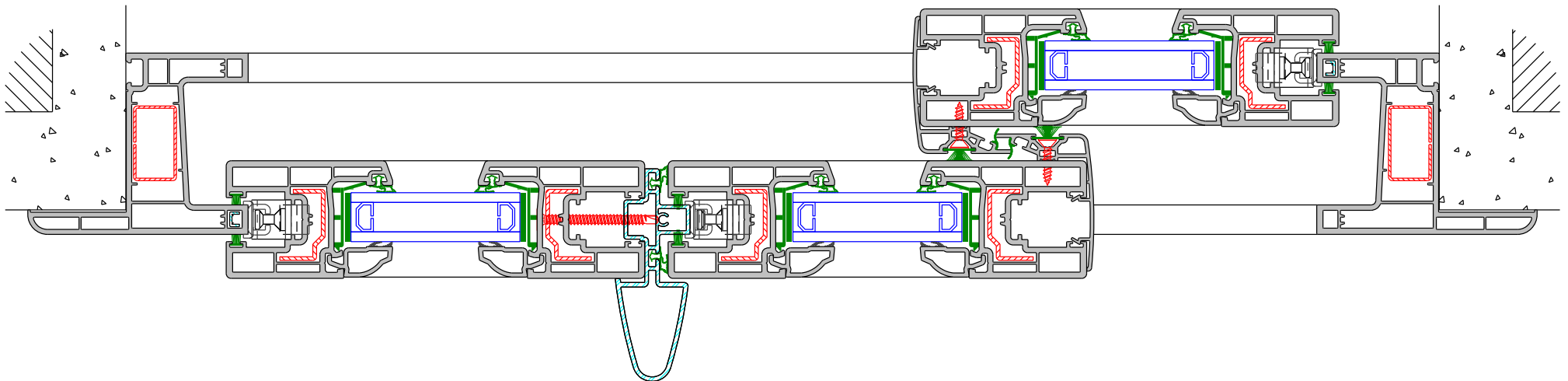
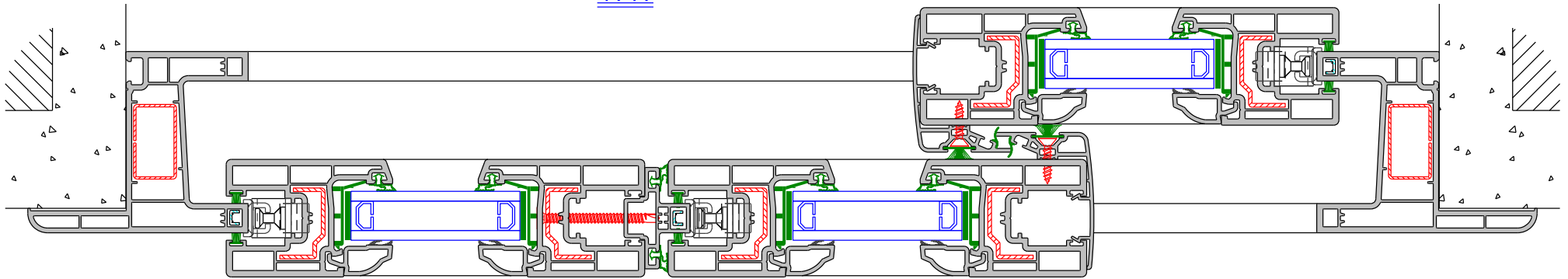


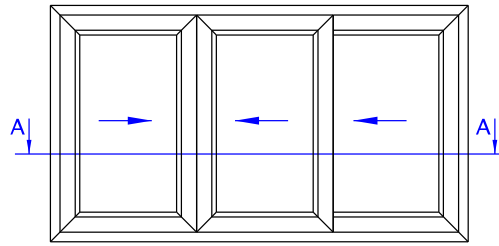
B-B



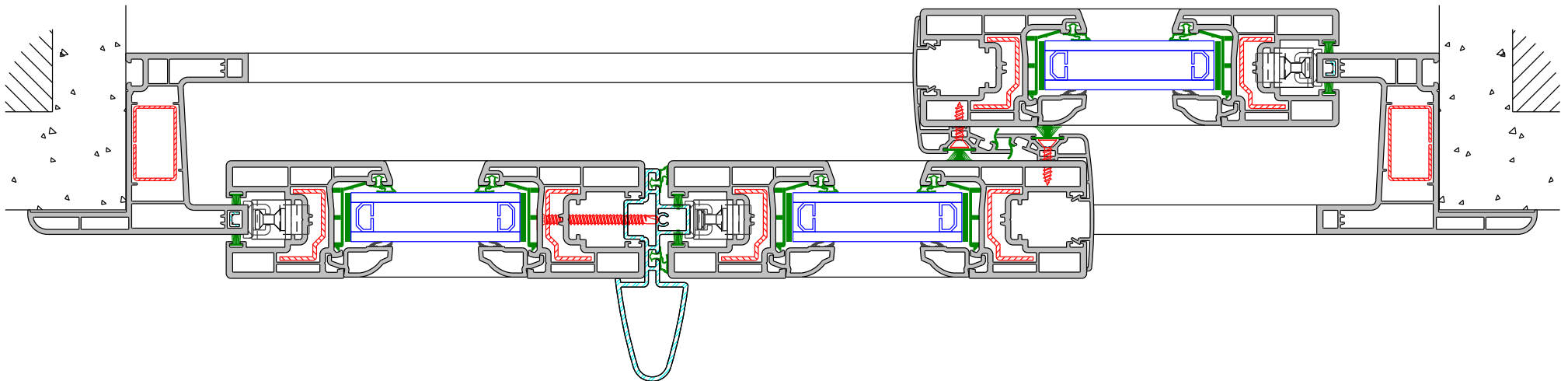
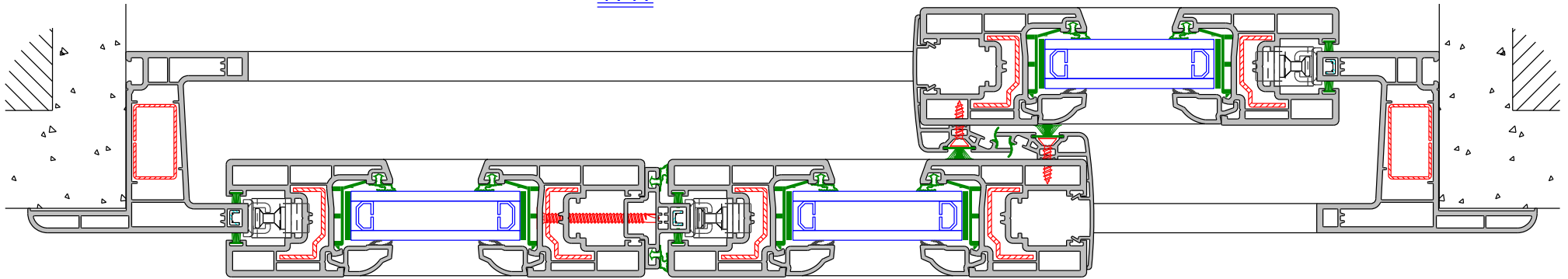


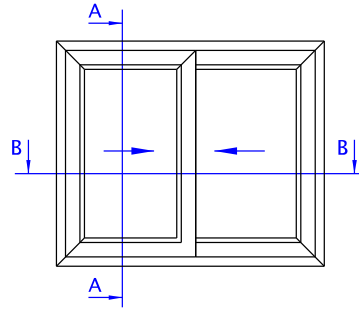
A-A



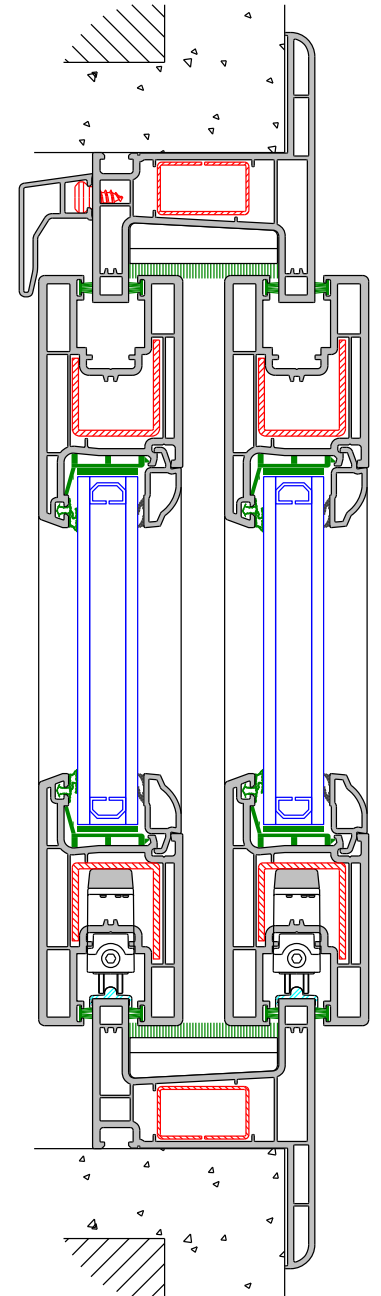


A-A

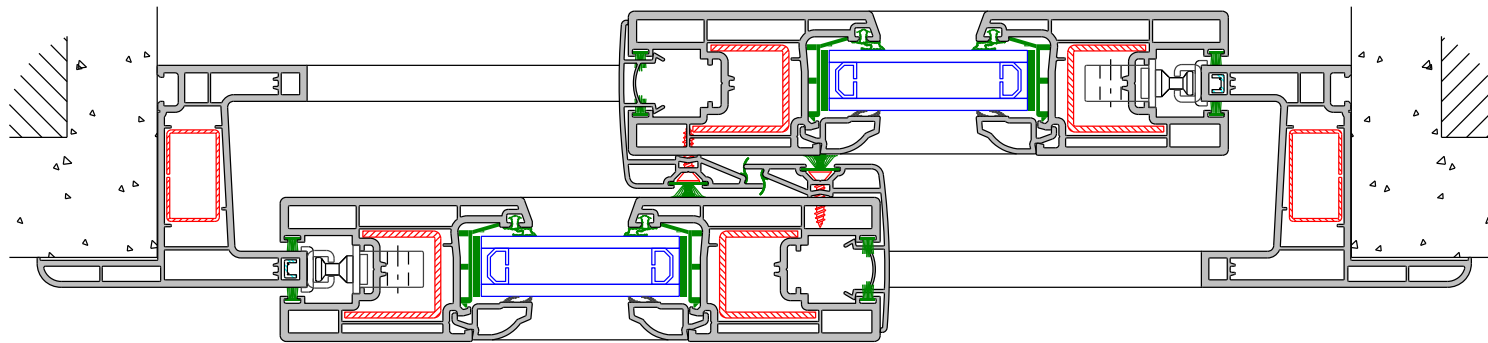


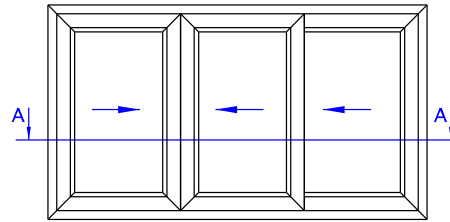


A-A

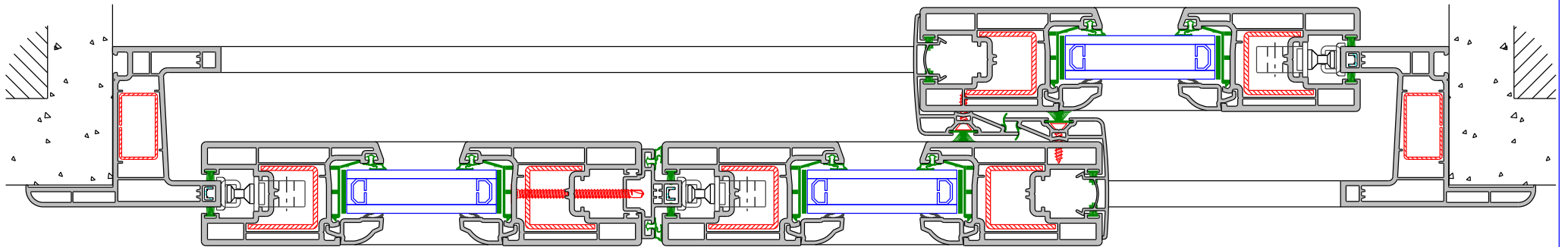


B-B

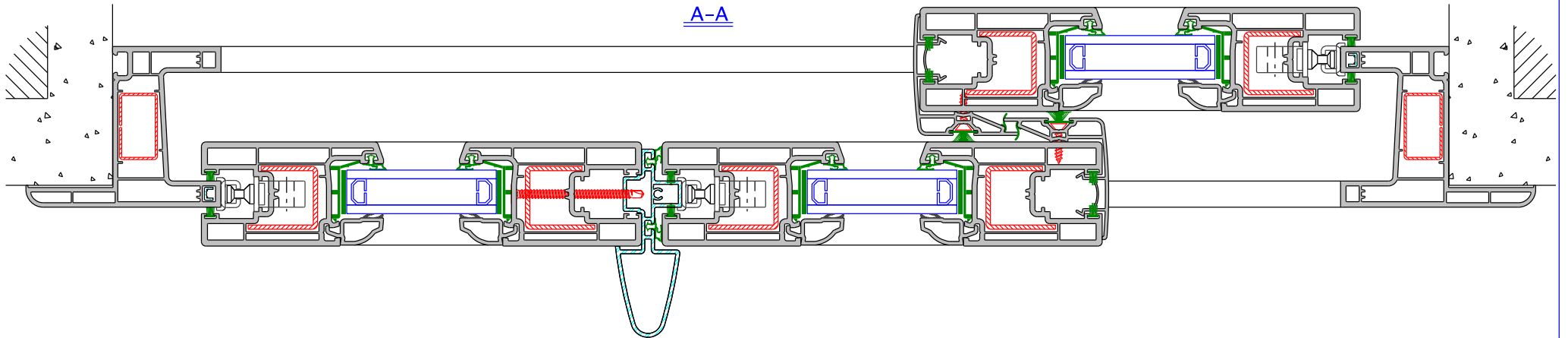


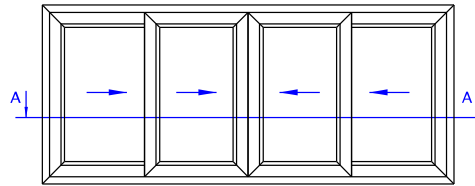


A-A

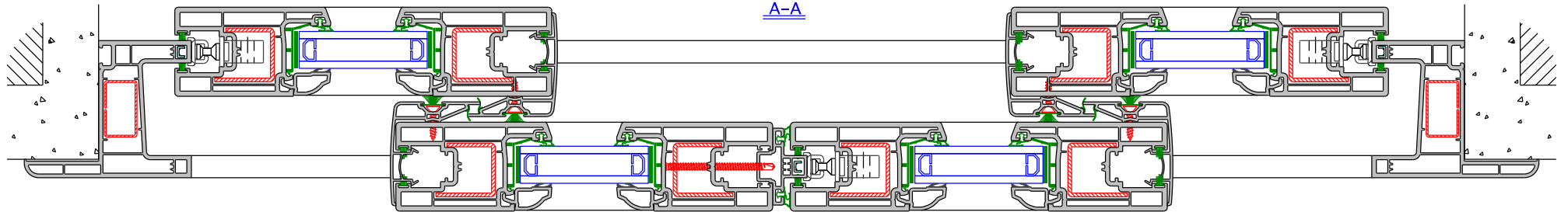


A-A

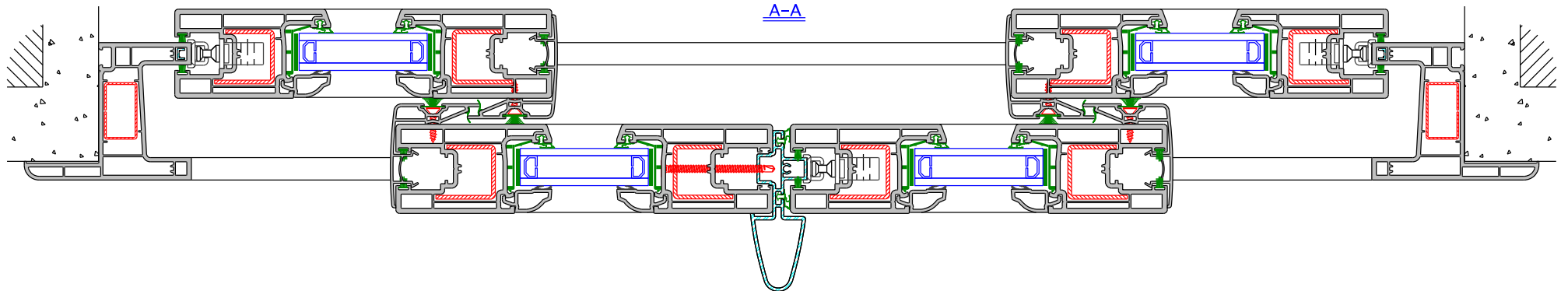


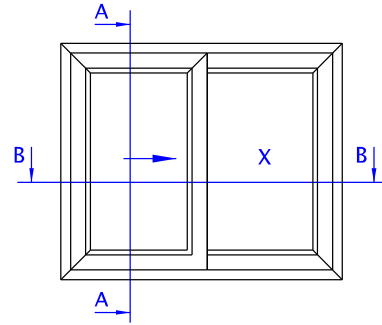


A-A

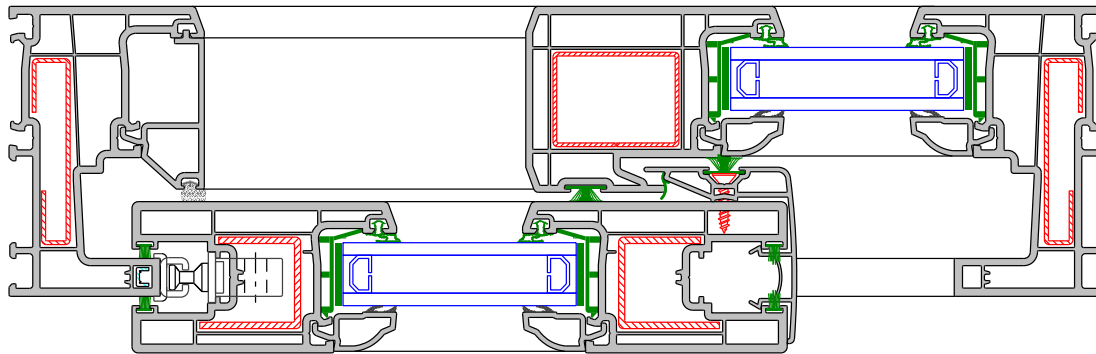


A-A

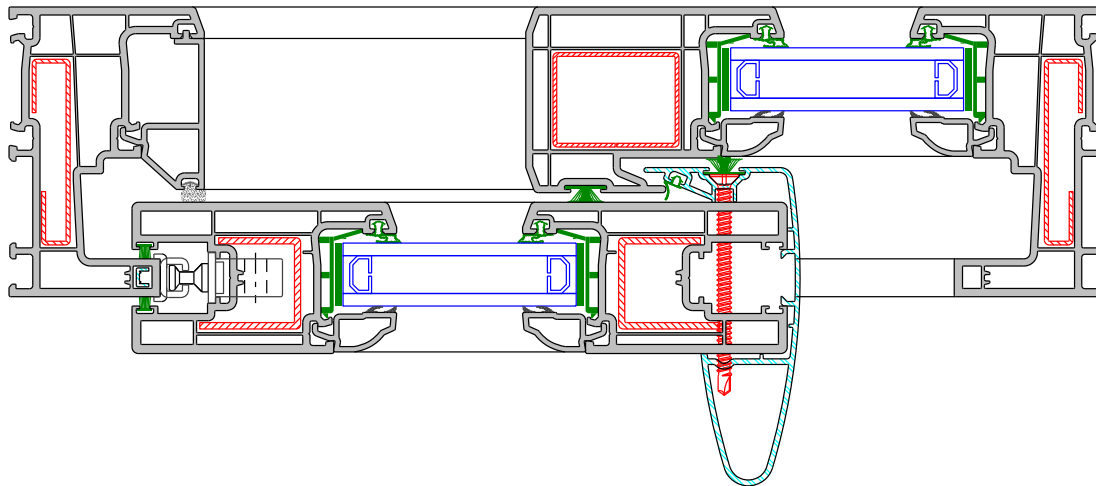




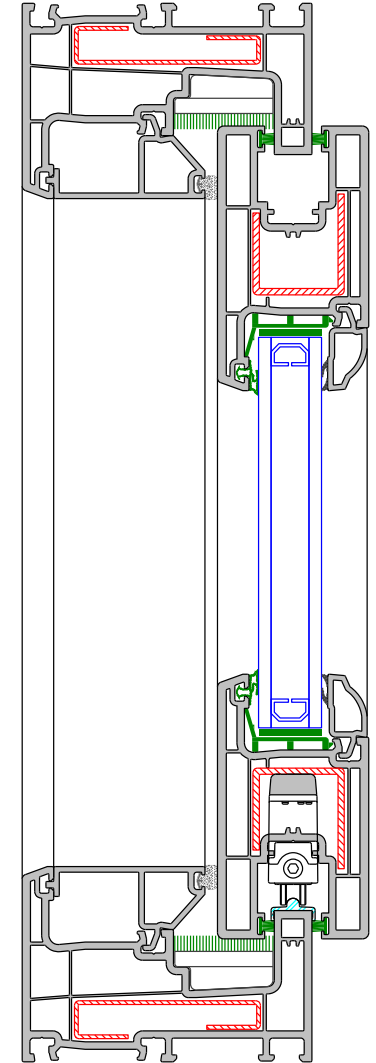
B-B

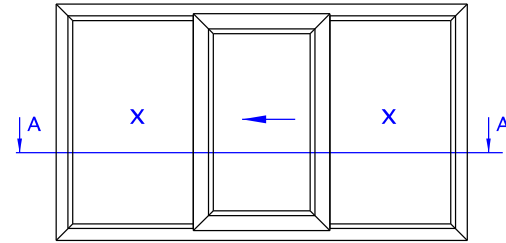


B-B

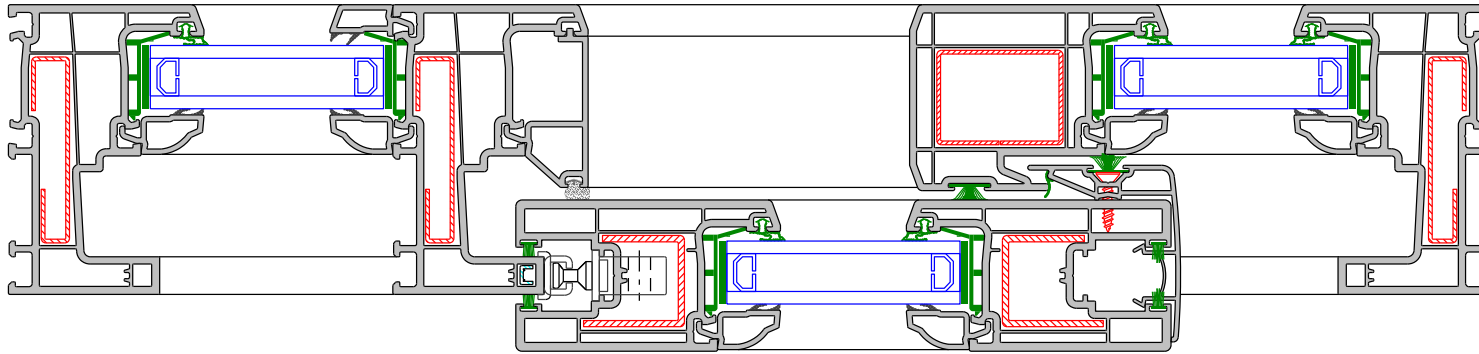


A-A

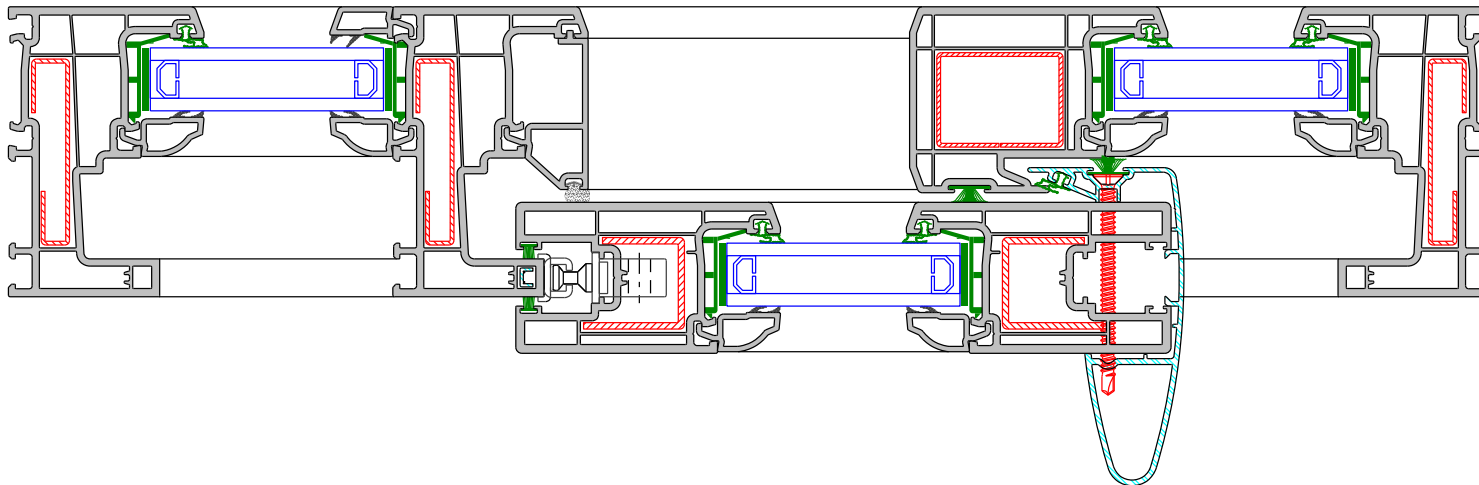


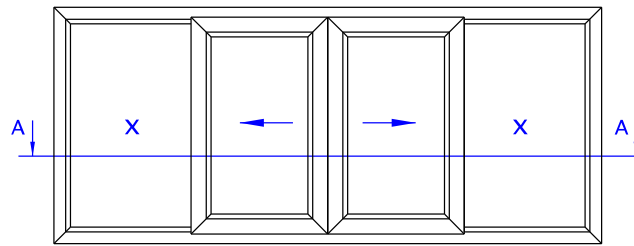


A-A

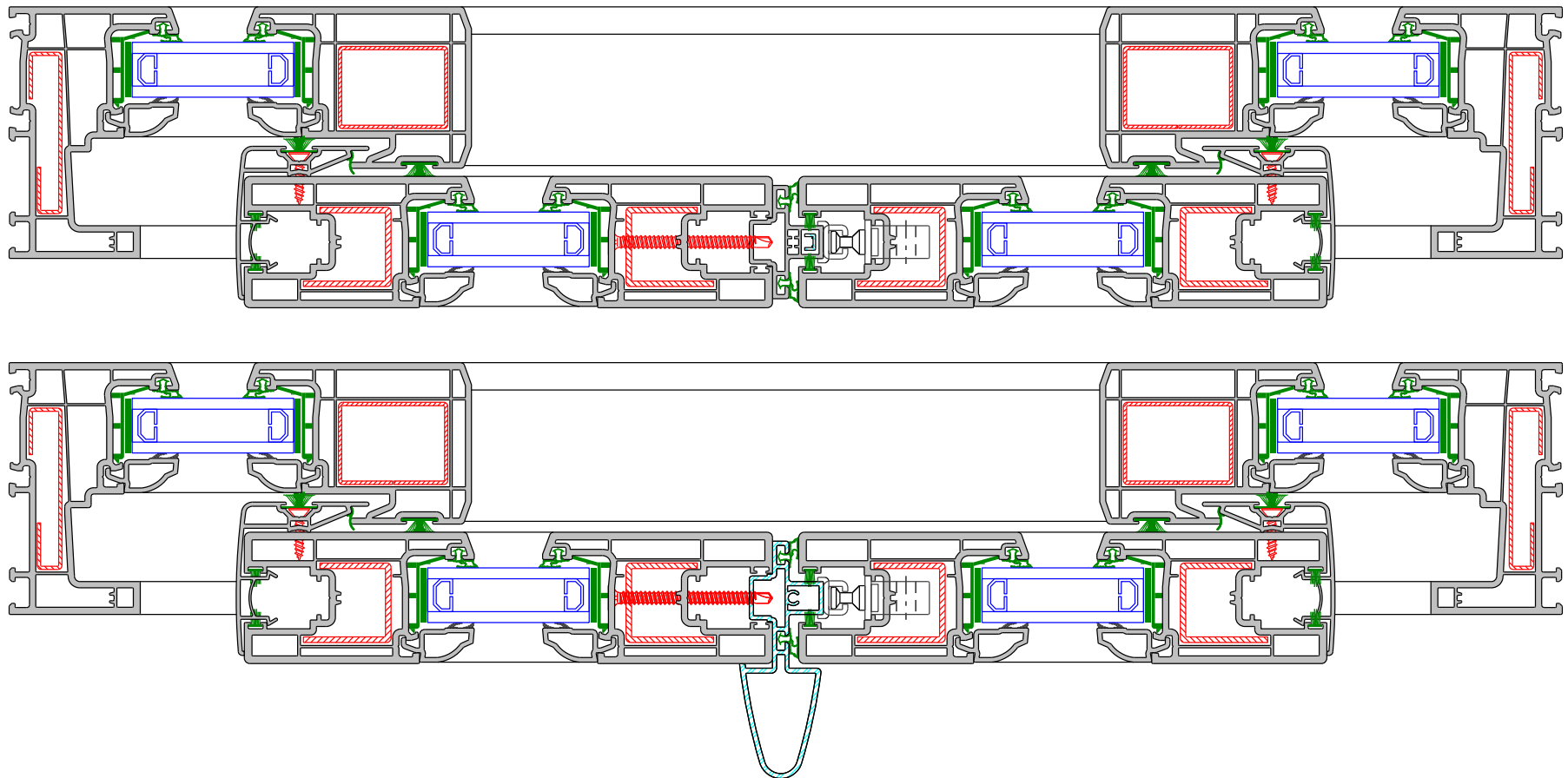


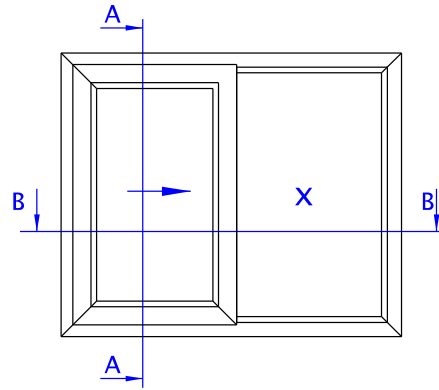
A-A



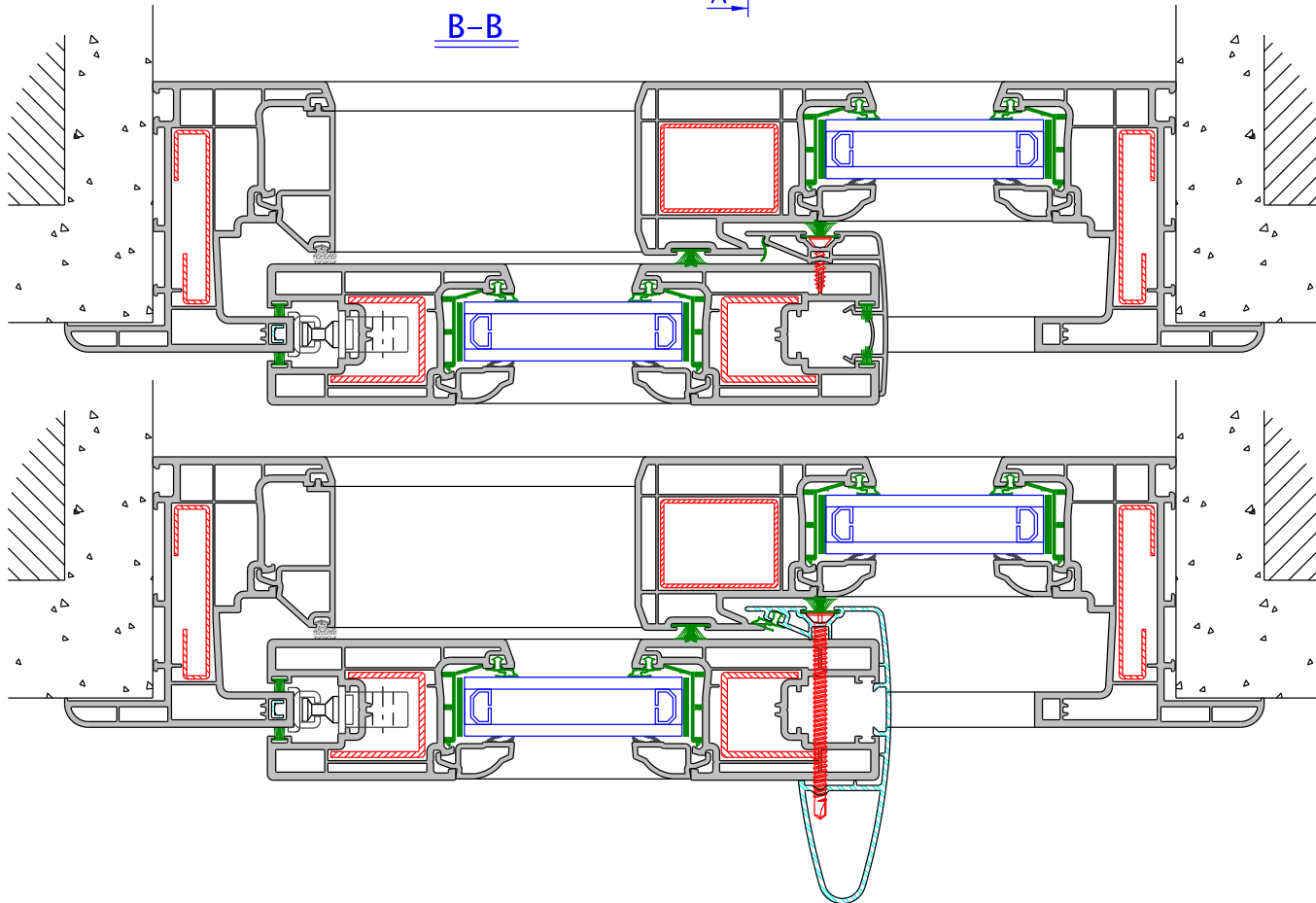


A-A

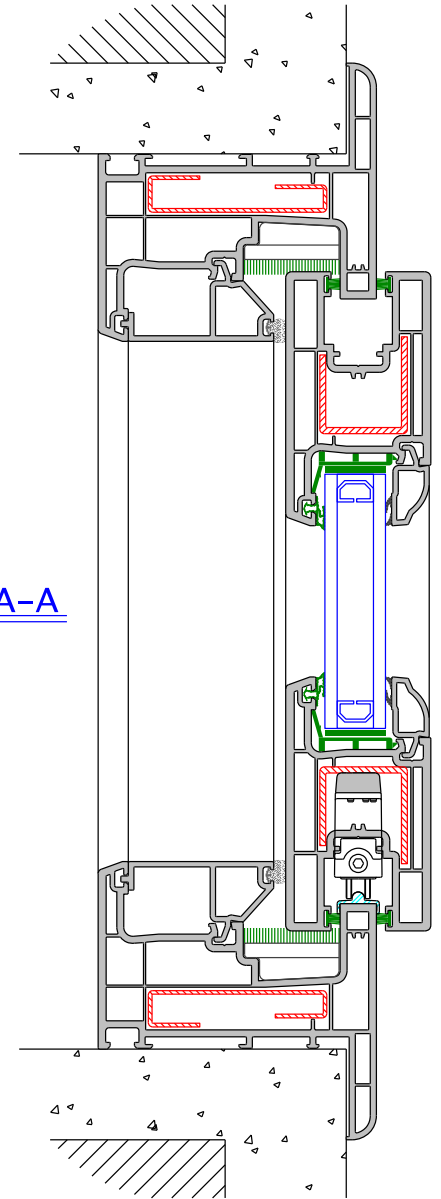


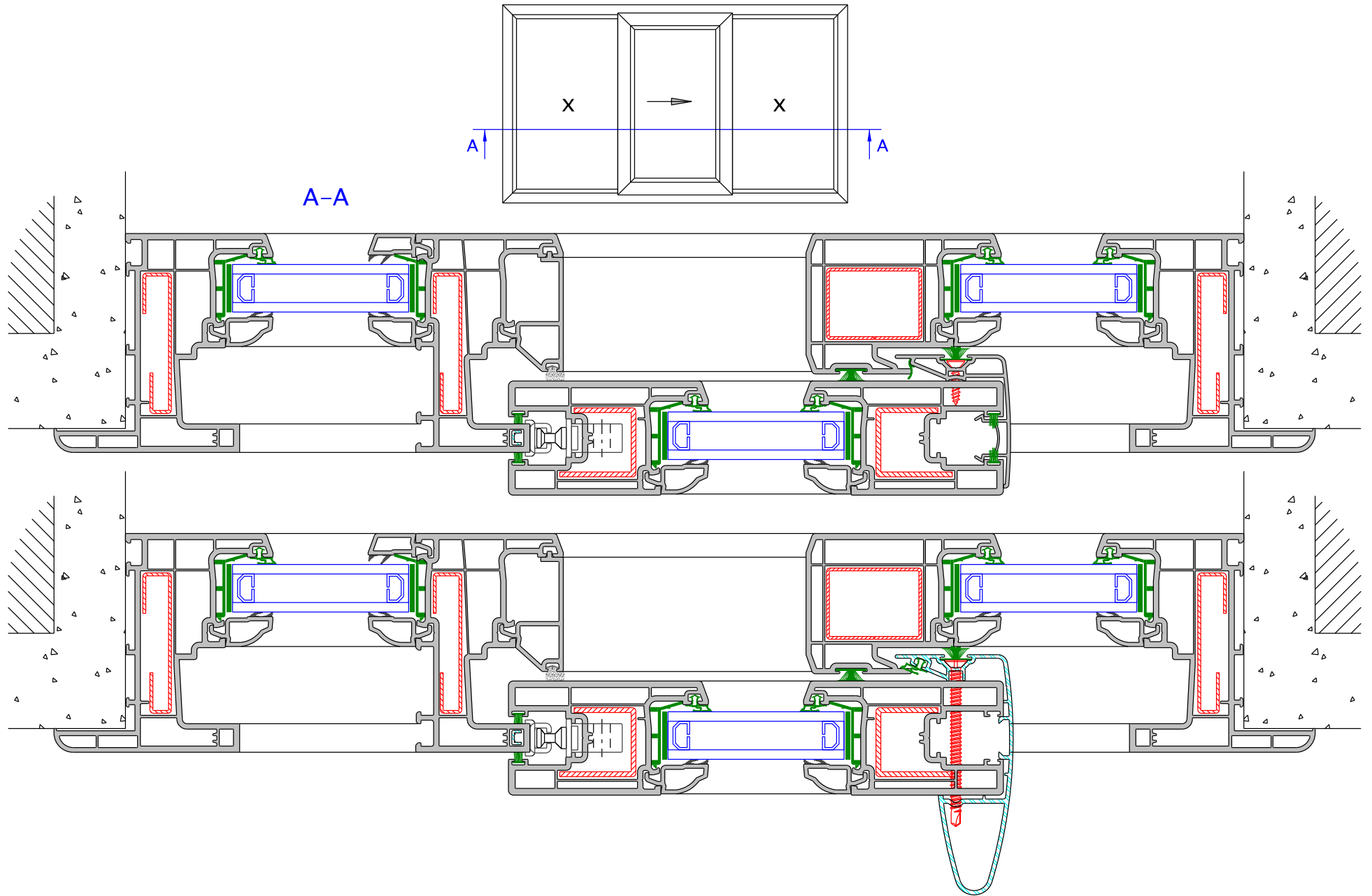


B-B

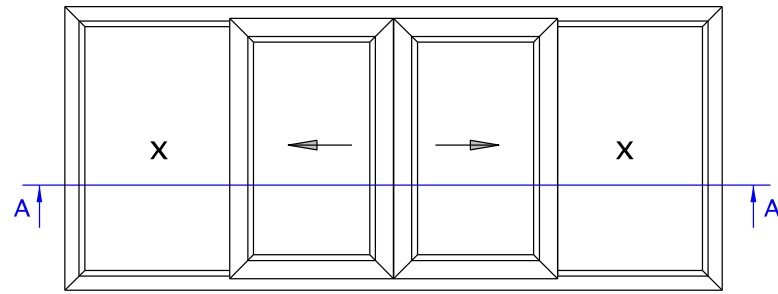


A-A

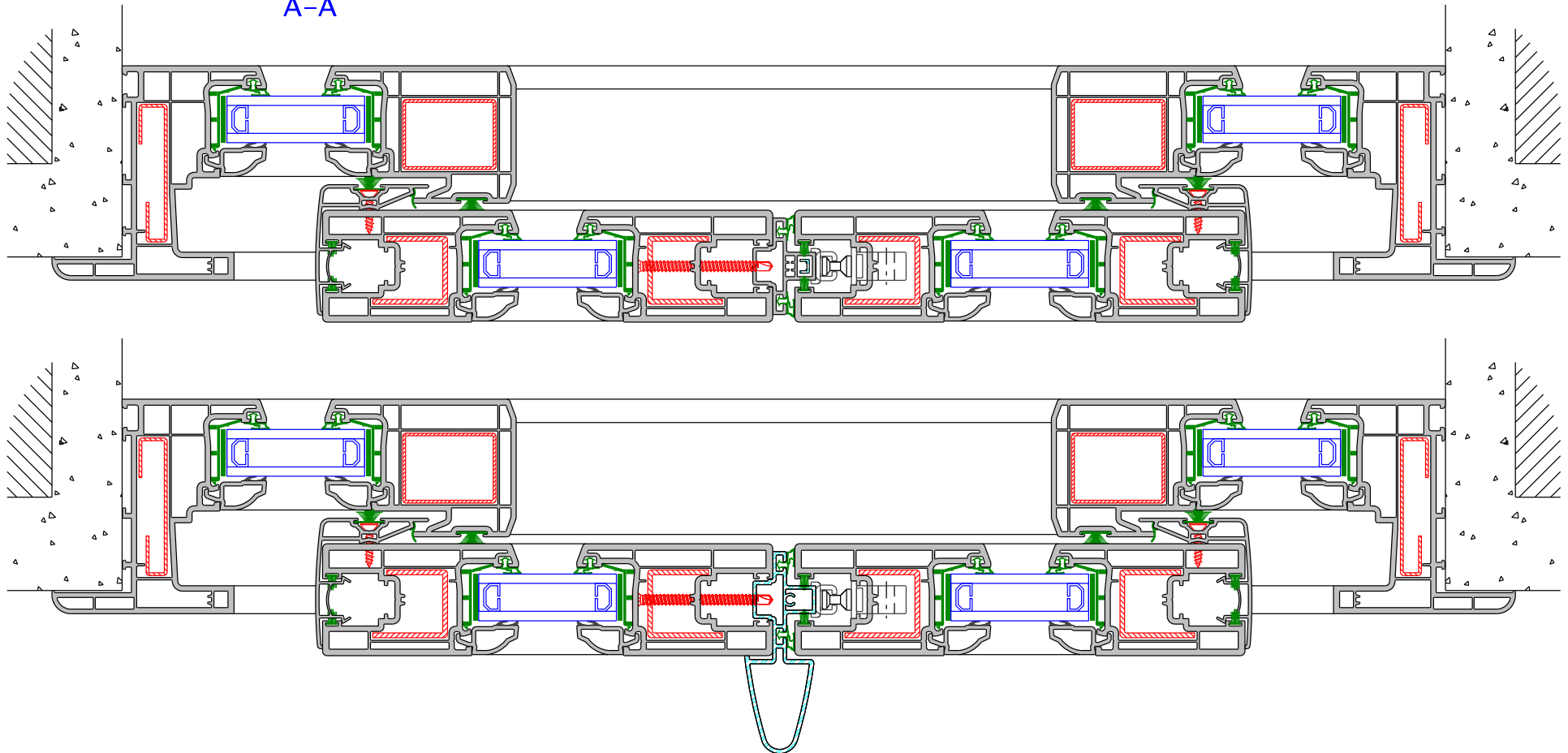


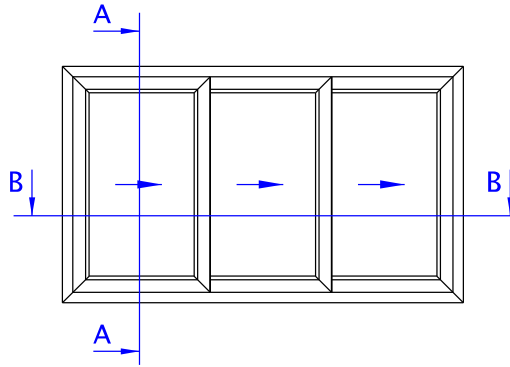


Technical documents are subject to change without notice



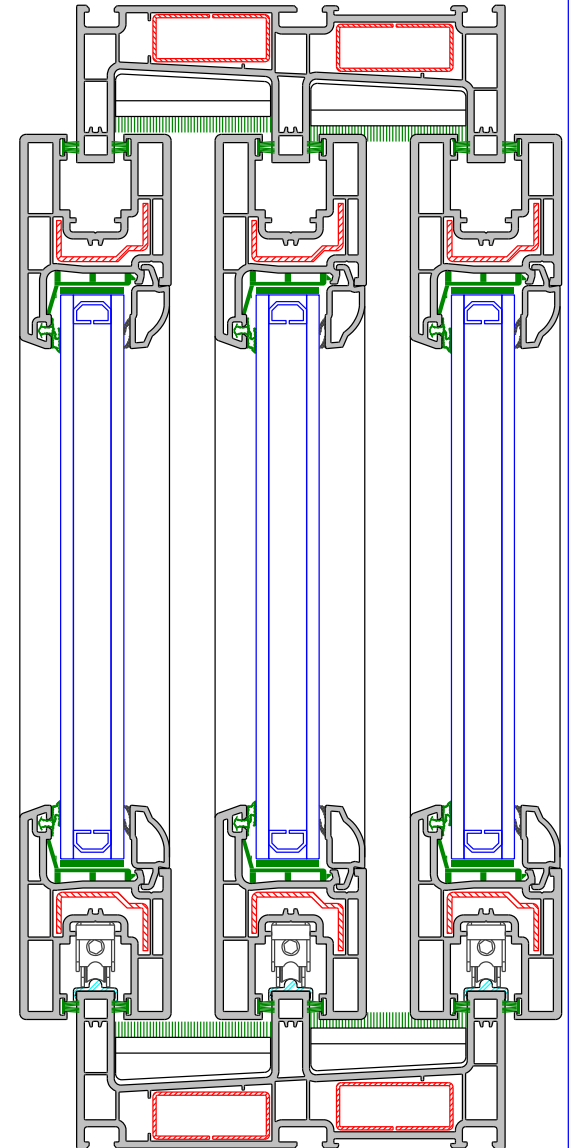
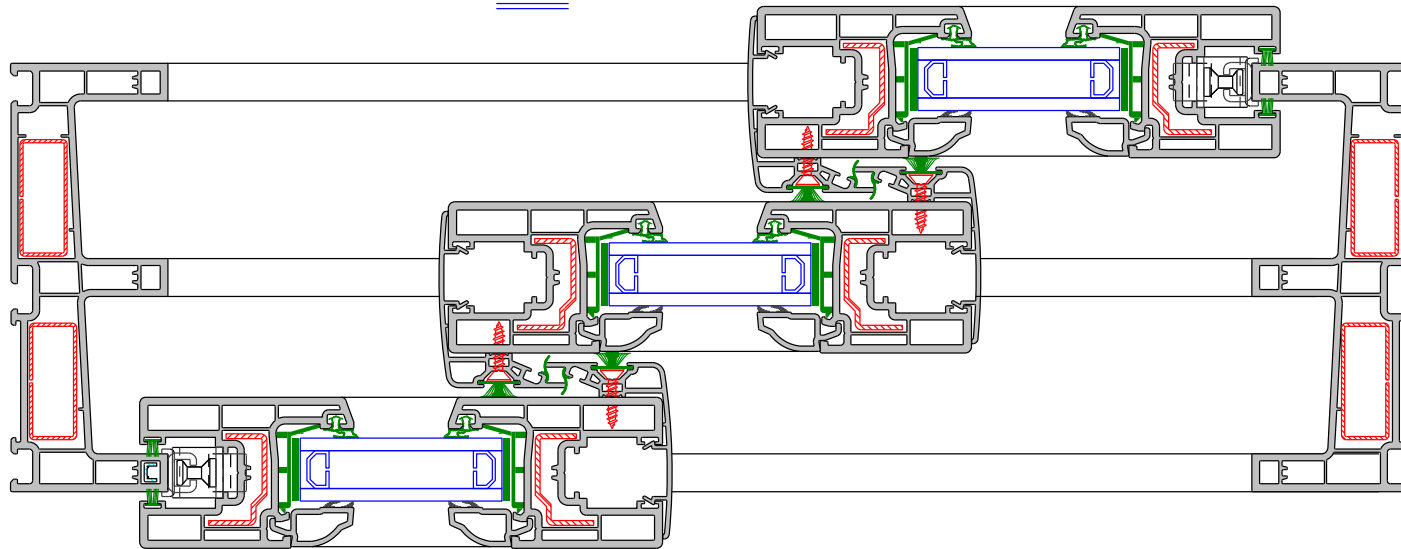
A-A

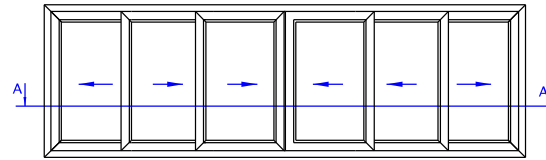




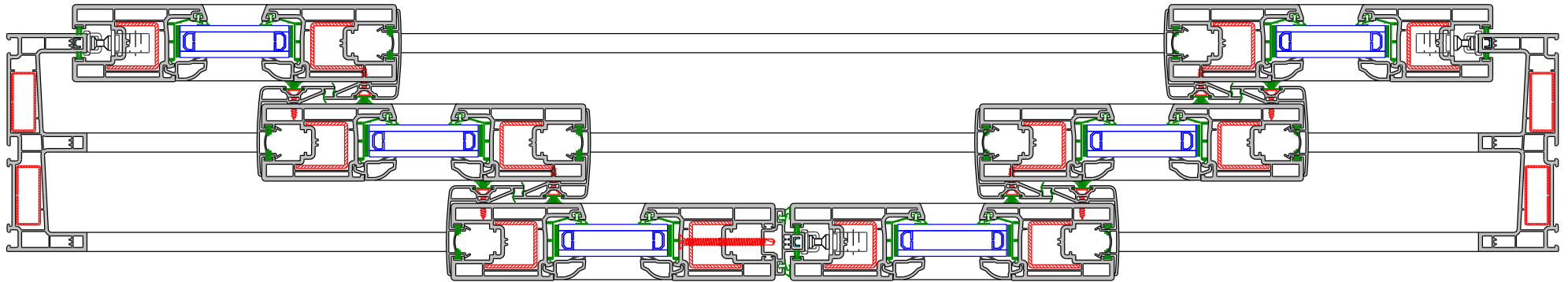
A-A

B-B

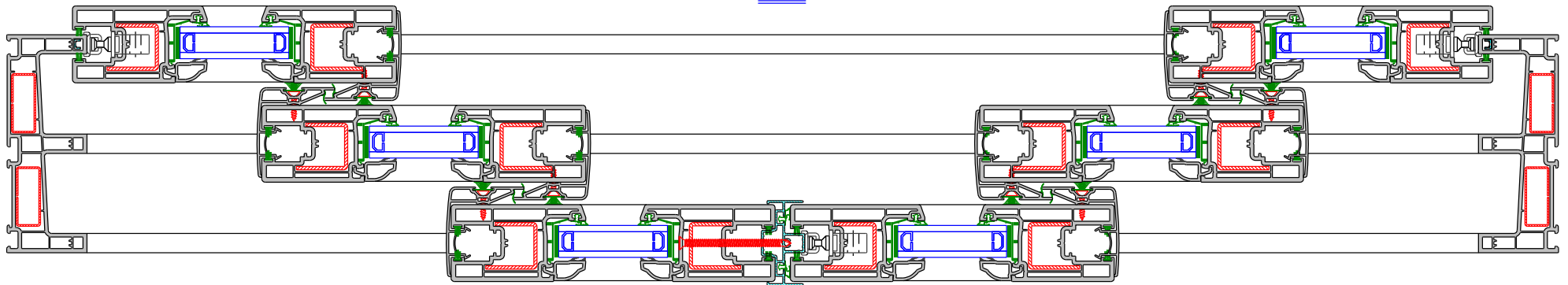


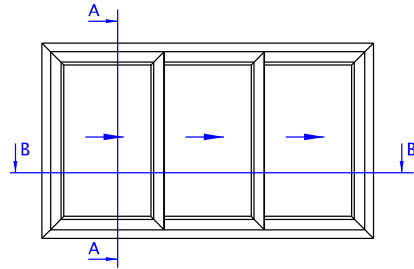


A-A

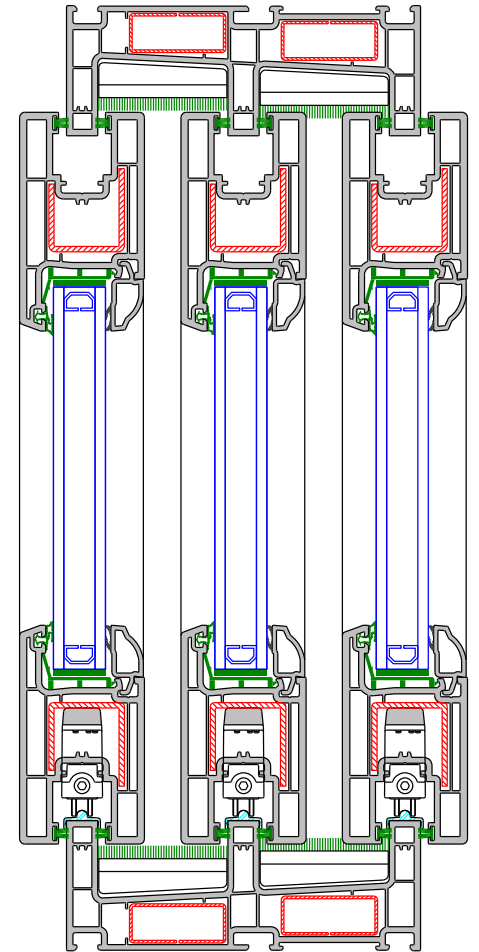


A-A

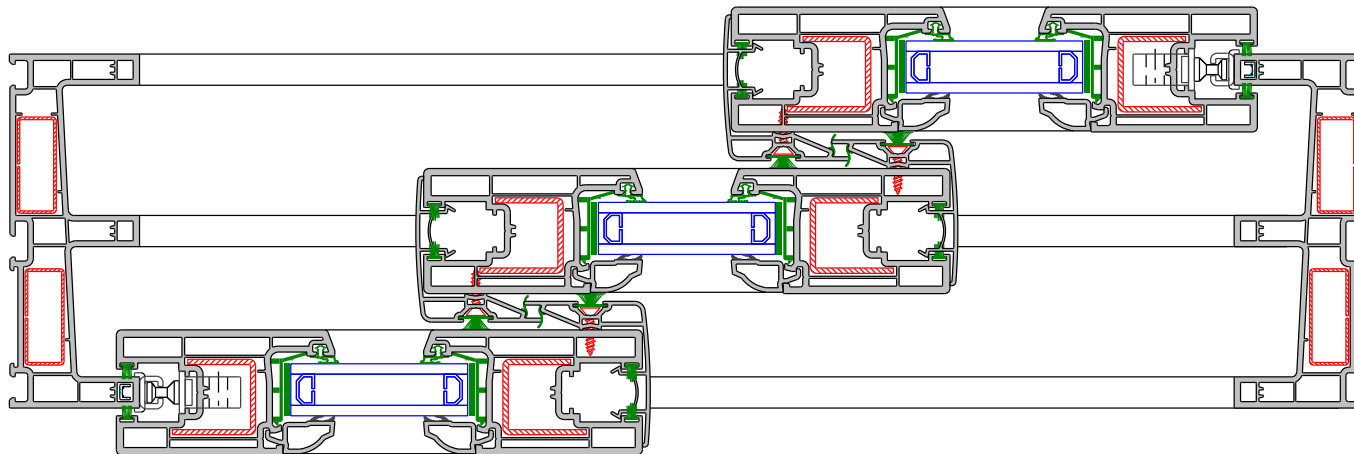


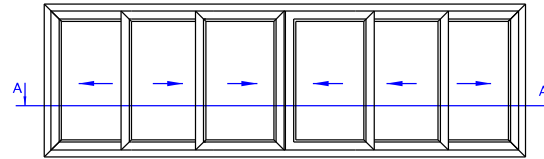


A - A

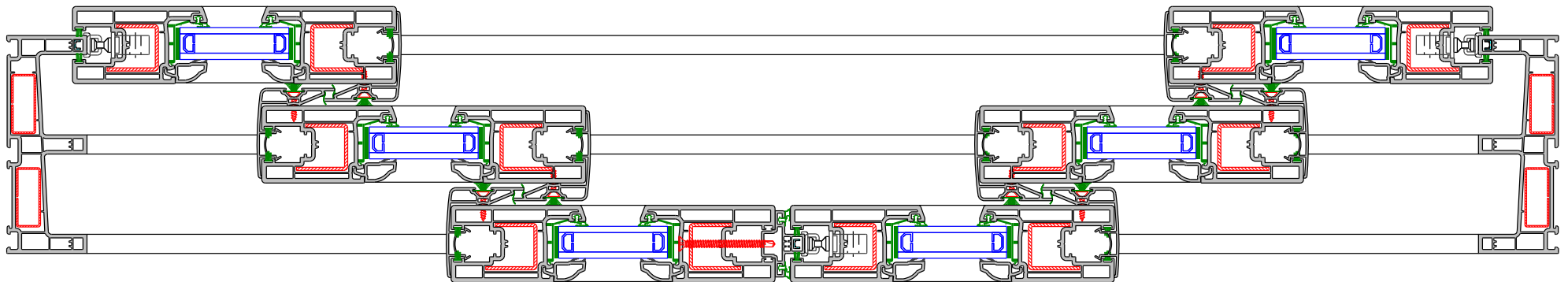


B - B

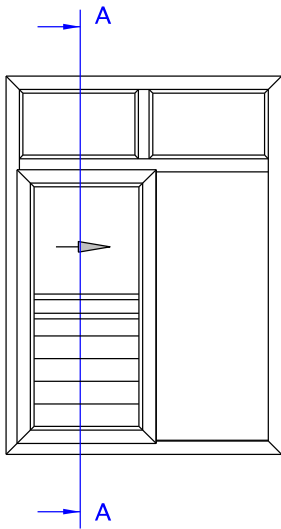




A-A

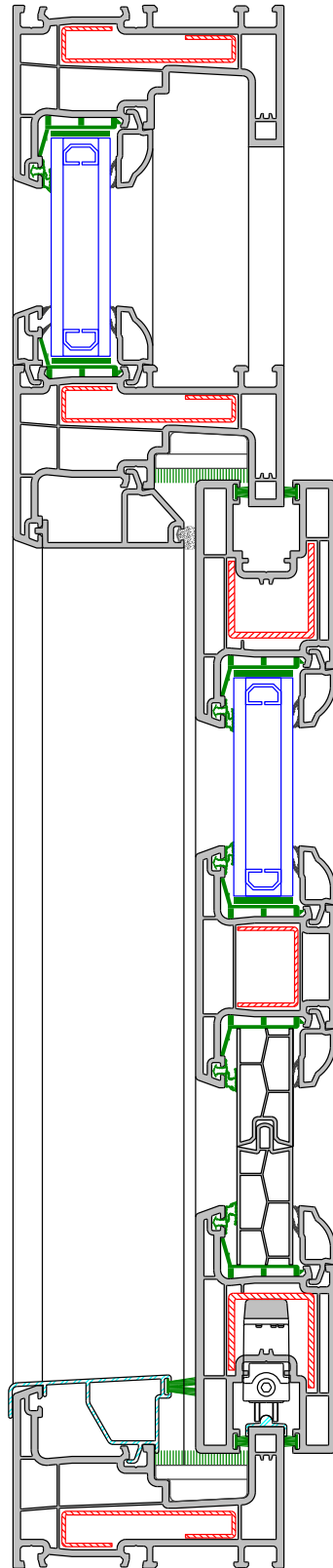


A-A



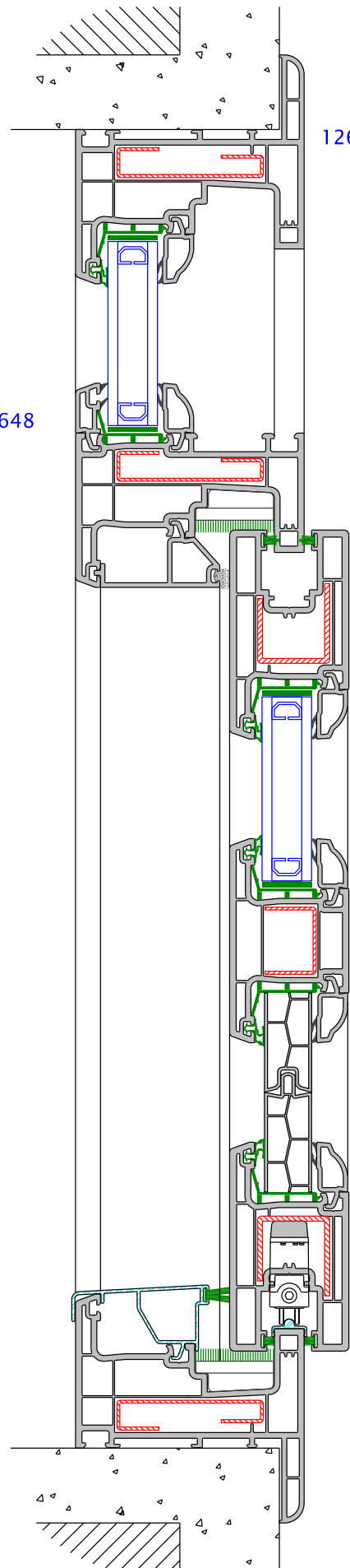
12661

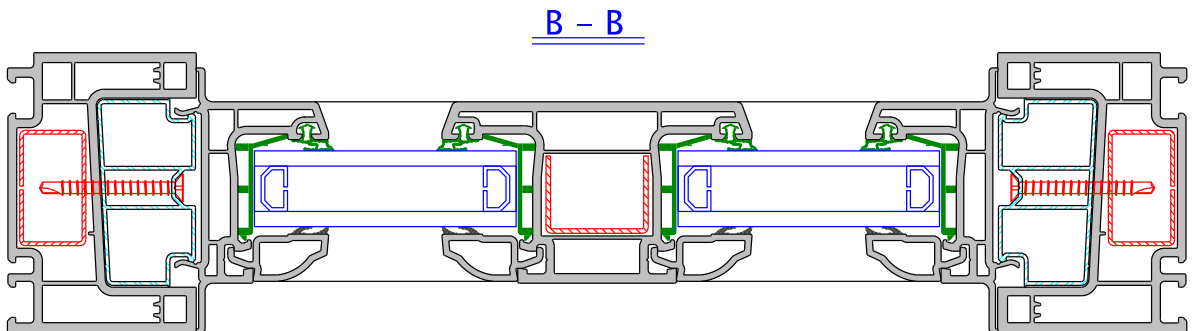
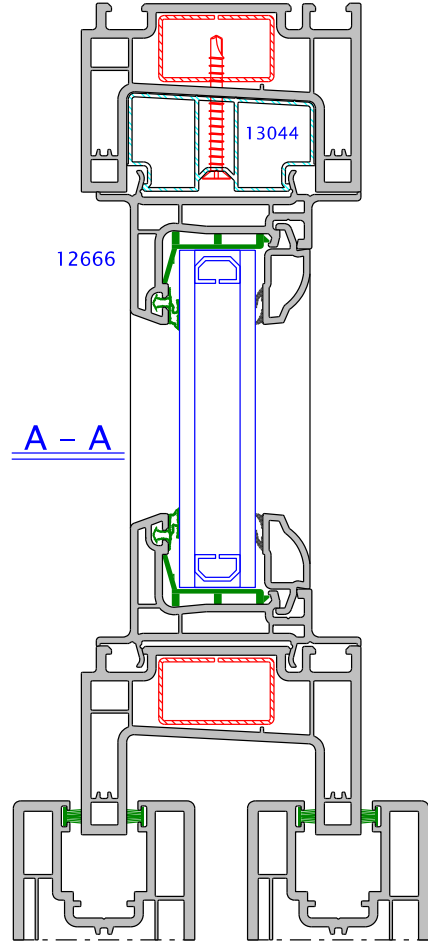
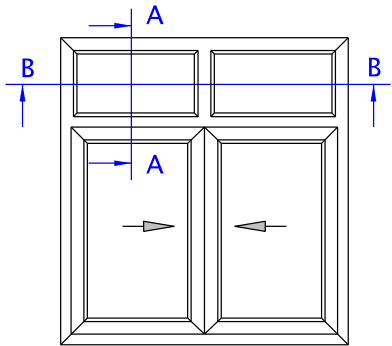
12648

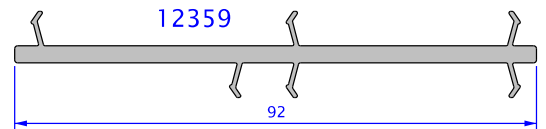
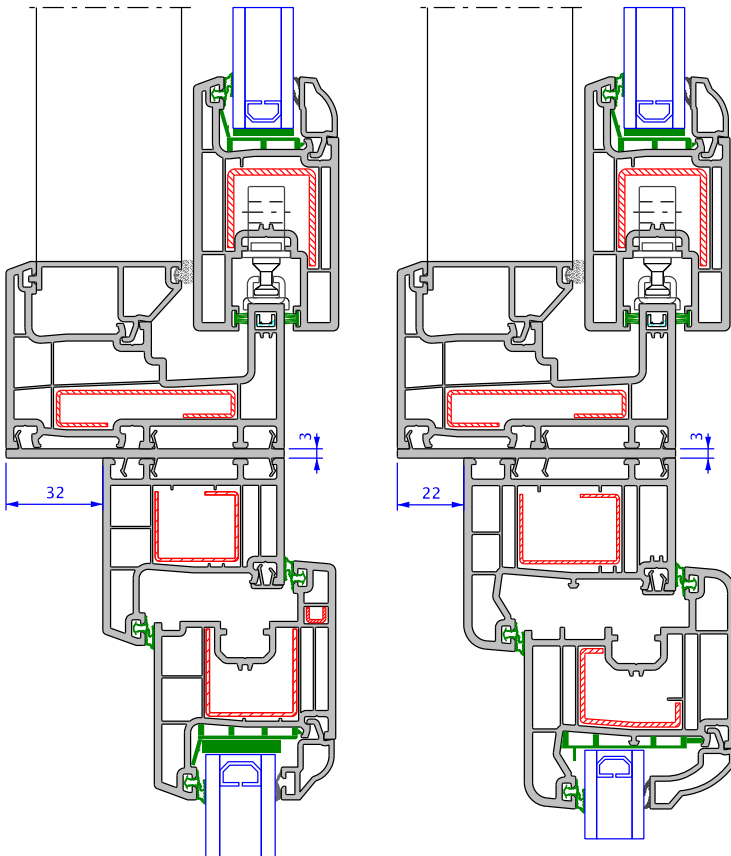
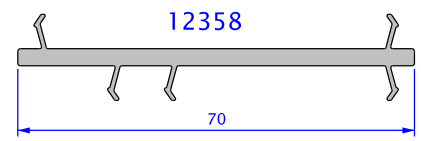
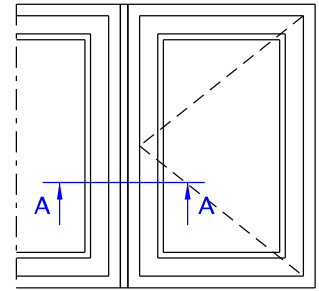
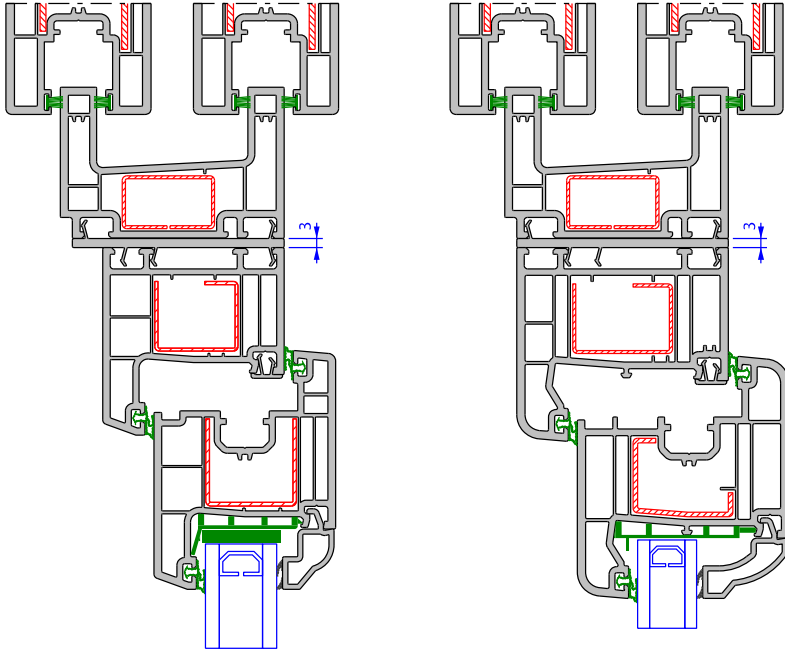


12663

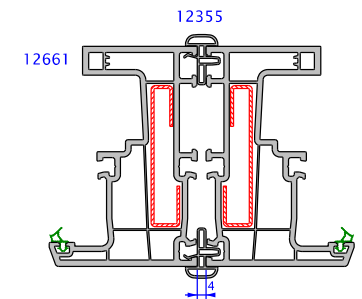
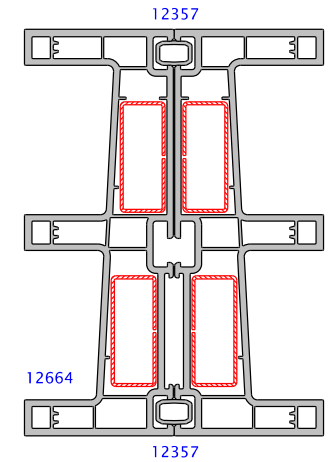
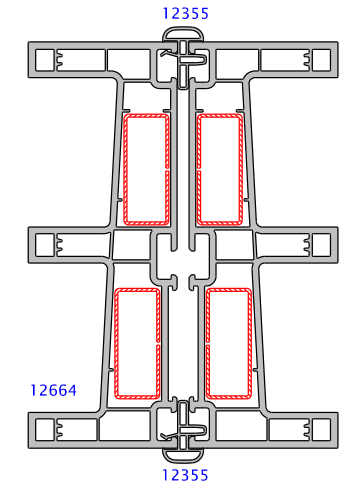
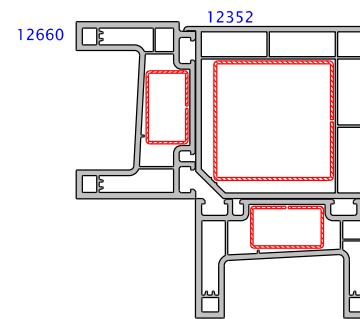
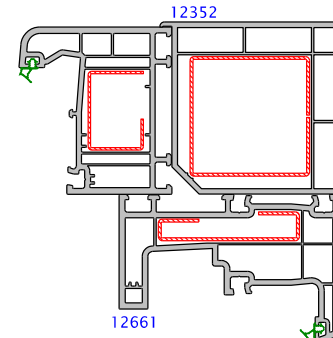
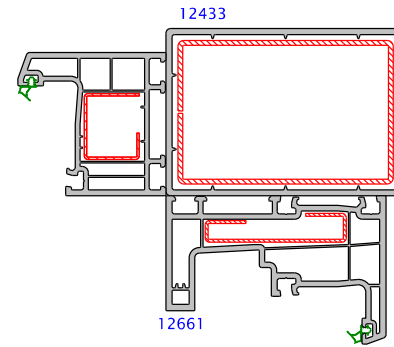
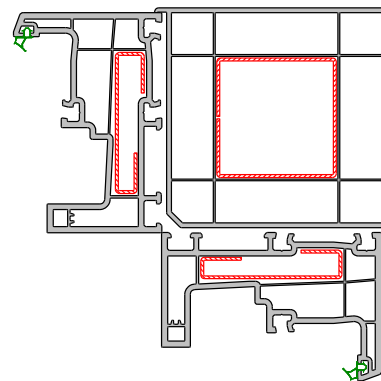
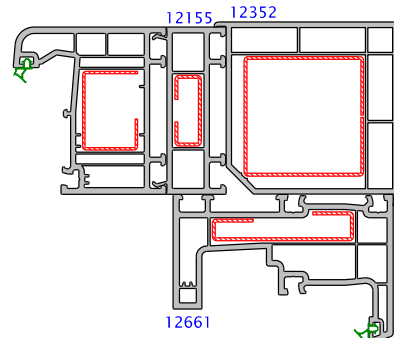
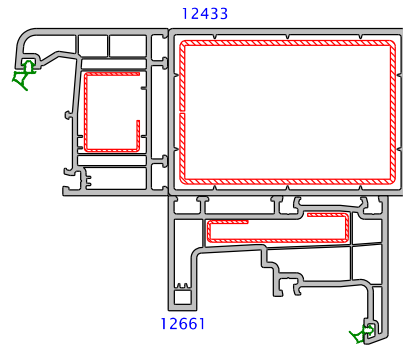
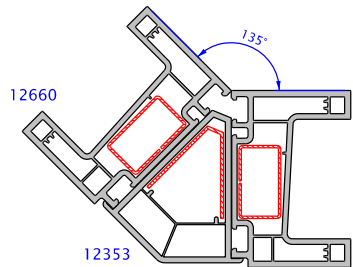
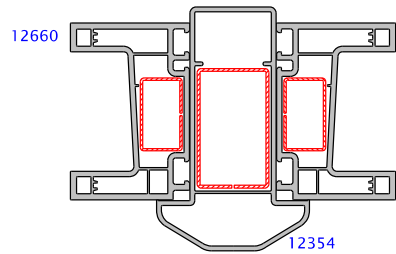
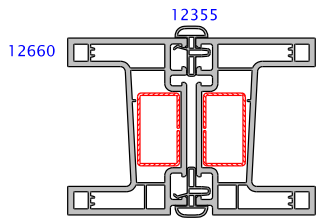
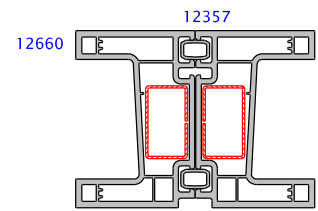
12648



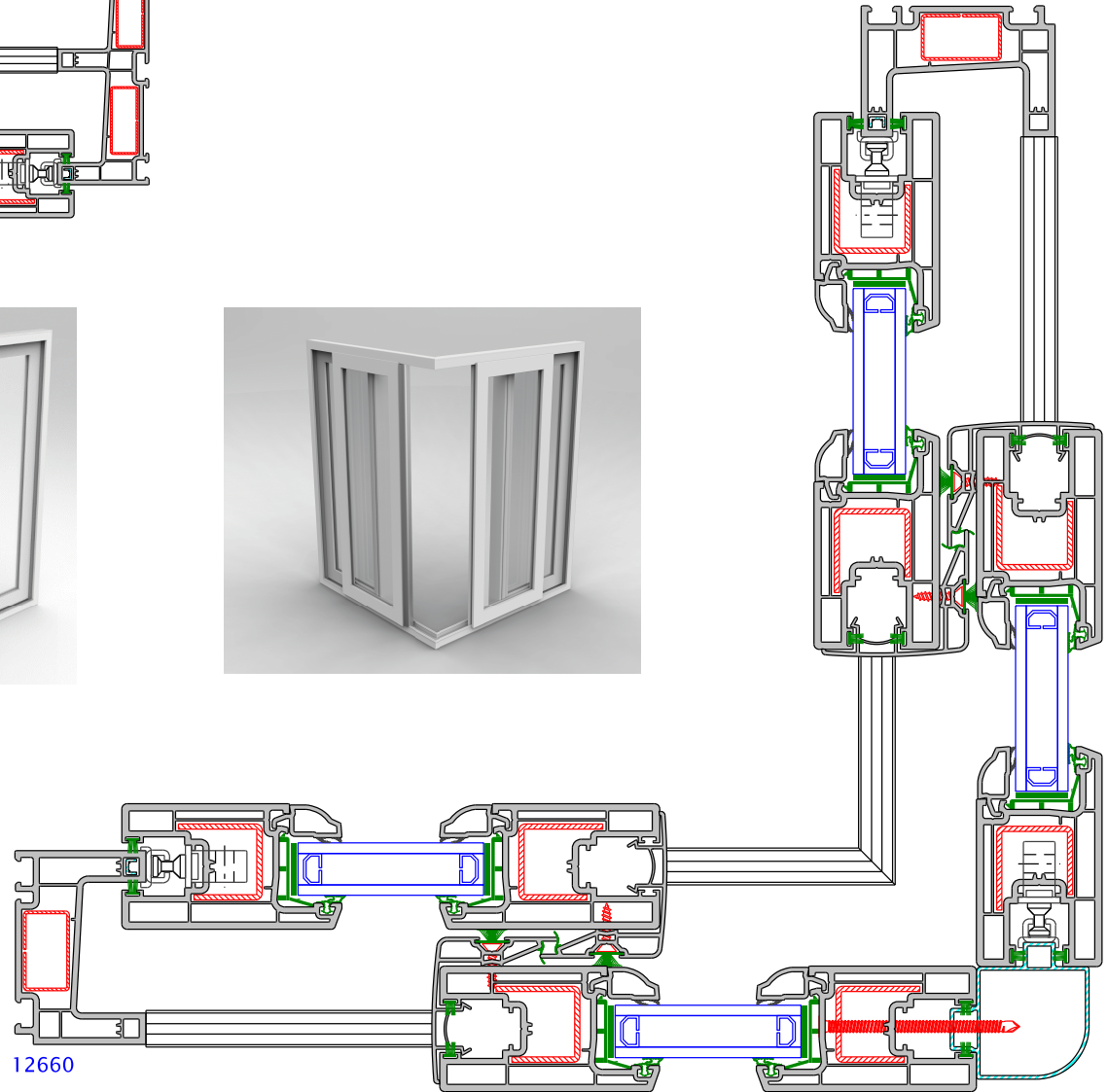
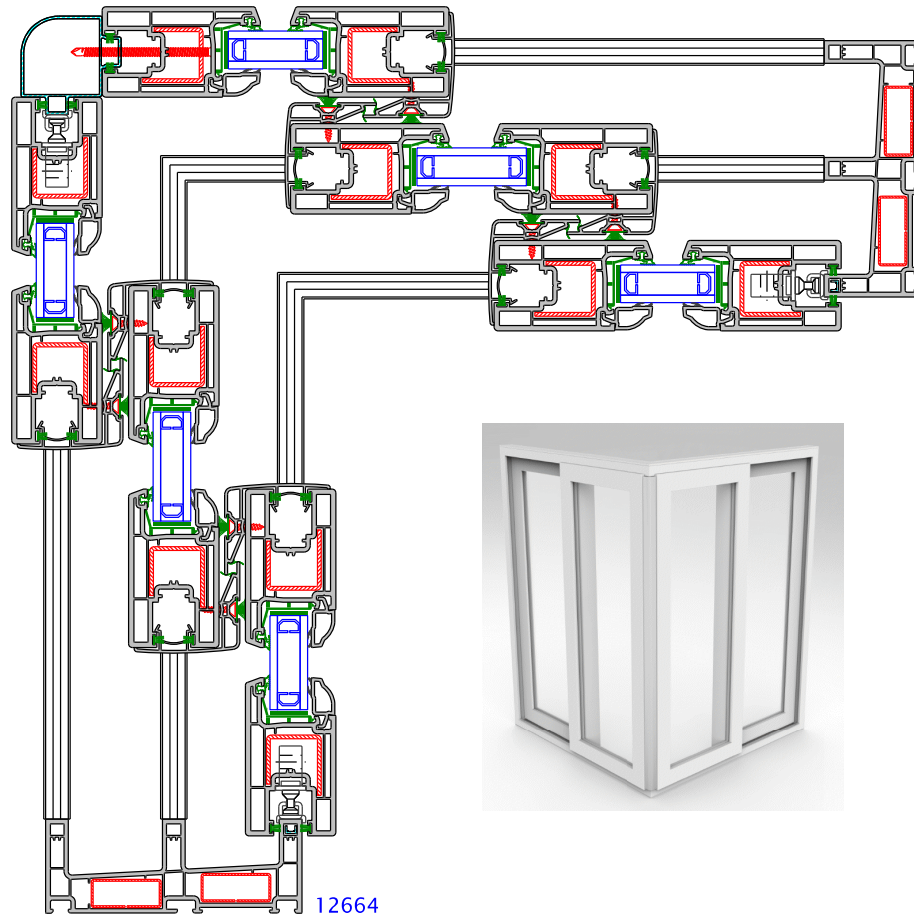


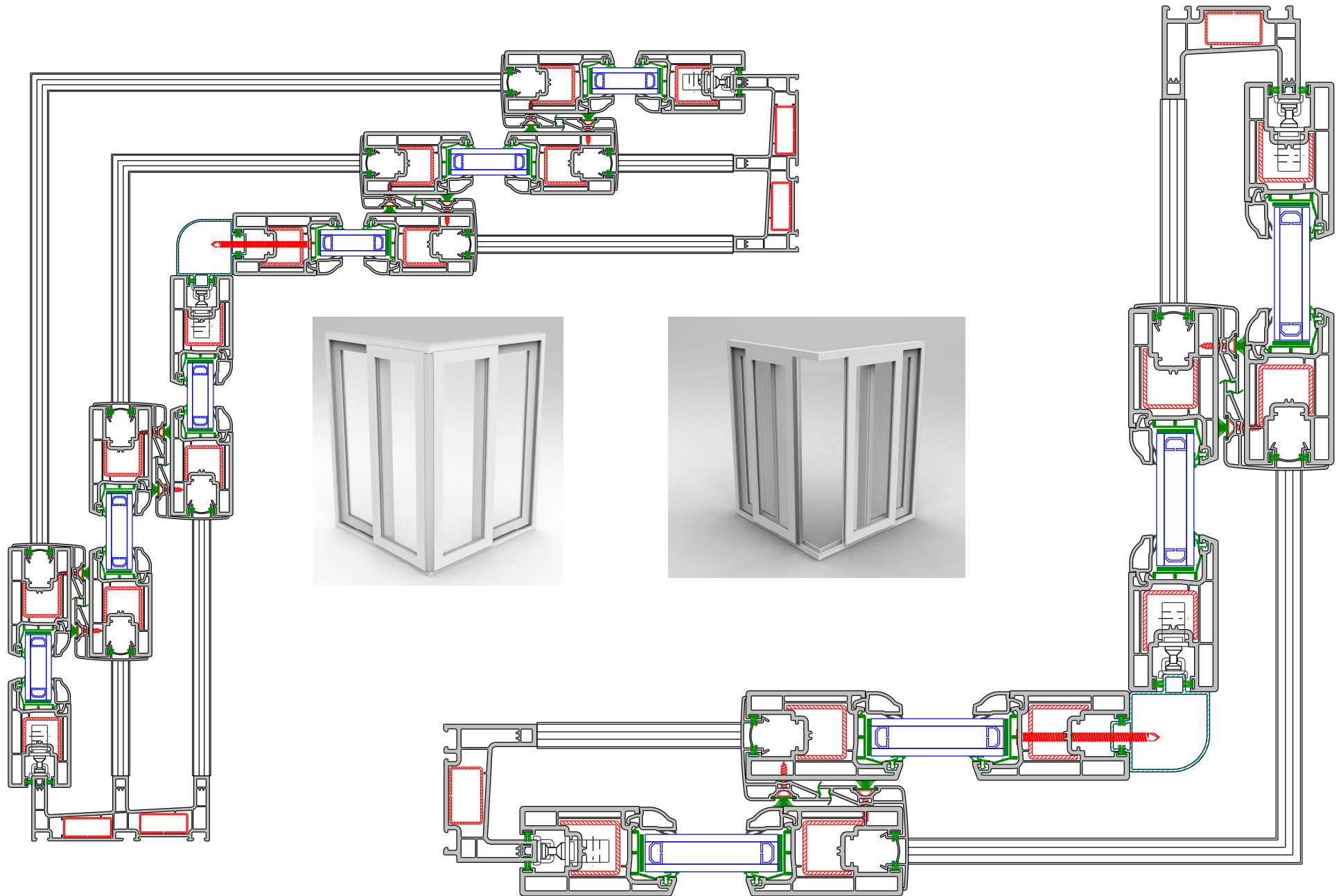


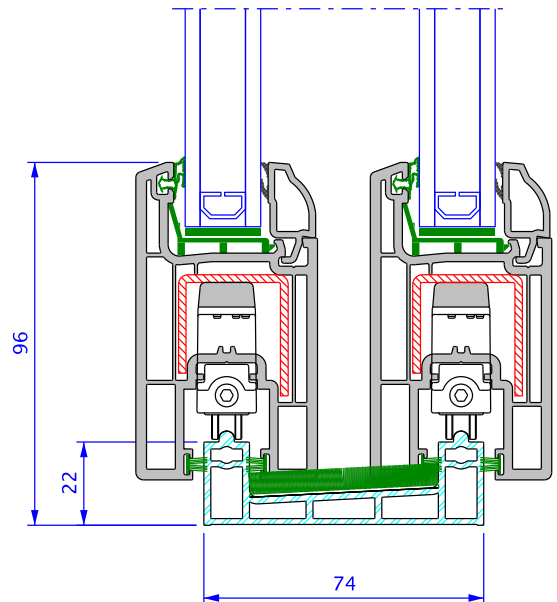
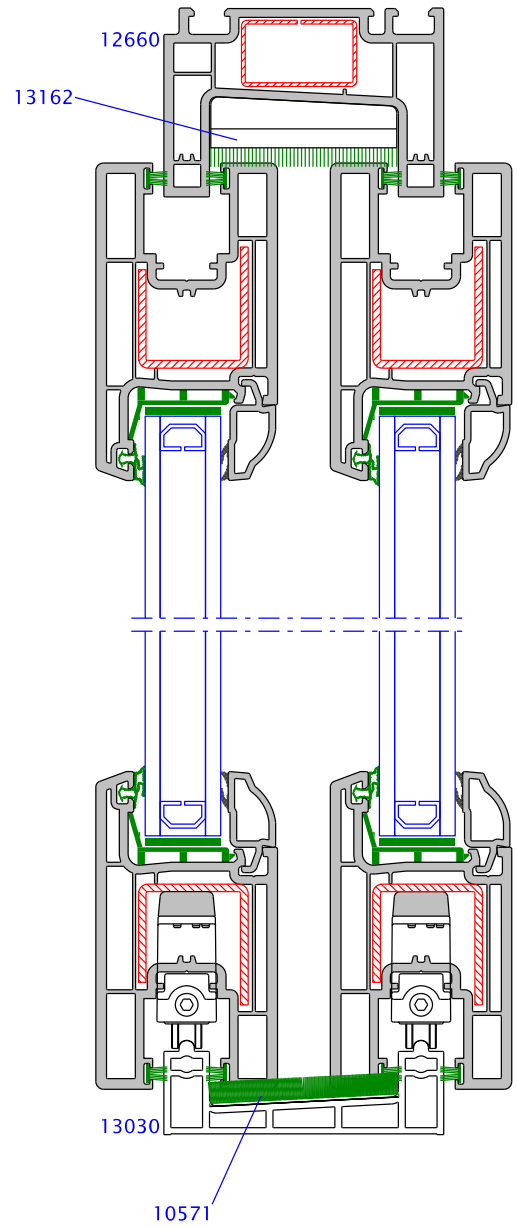
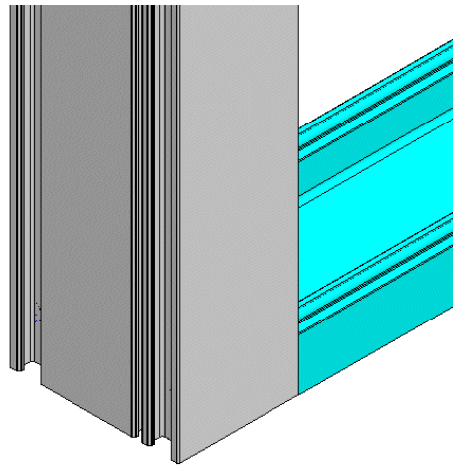
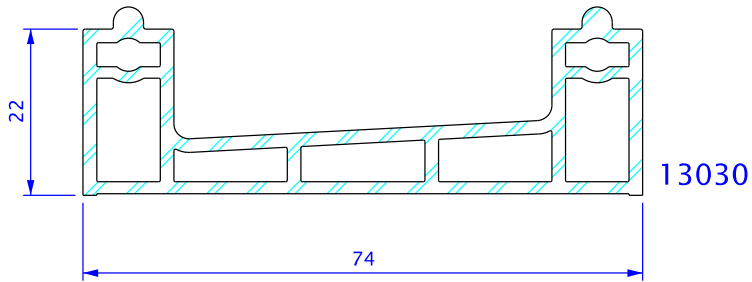
*In the connection of both frames, the thickness of coupling profile should be subtracted

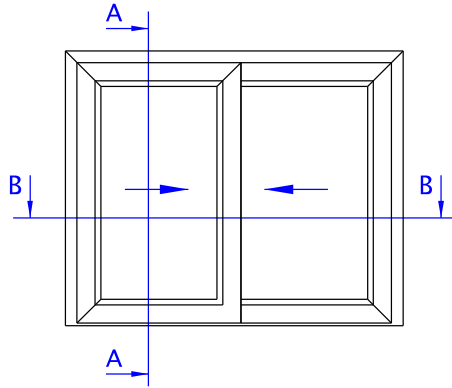


* For the connections that are given in the drawing, the coupling thickness should be subtracted

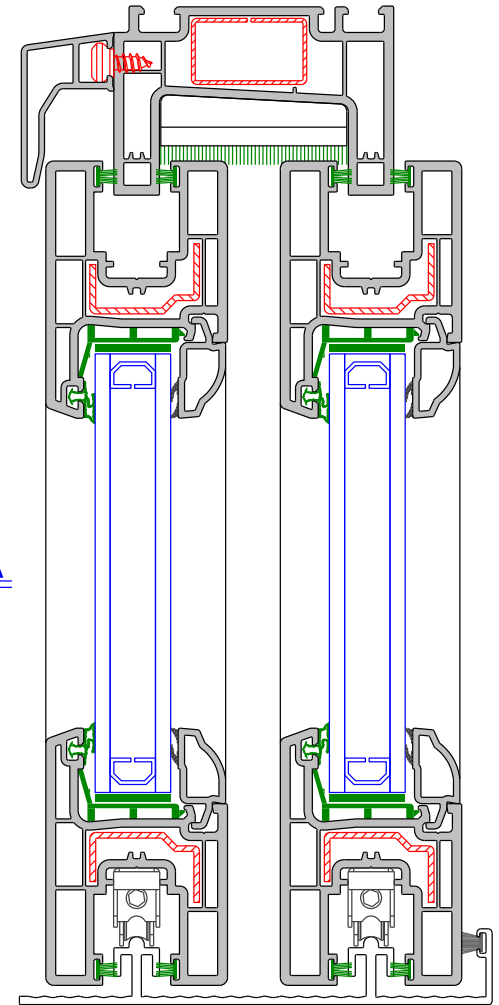




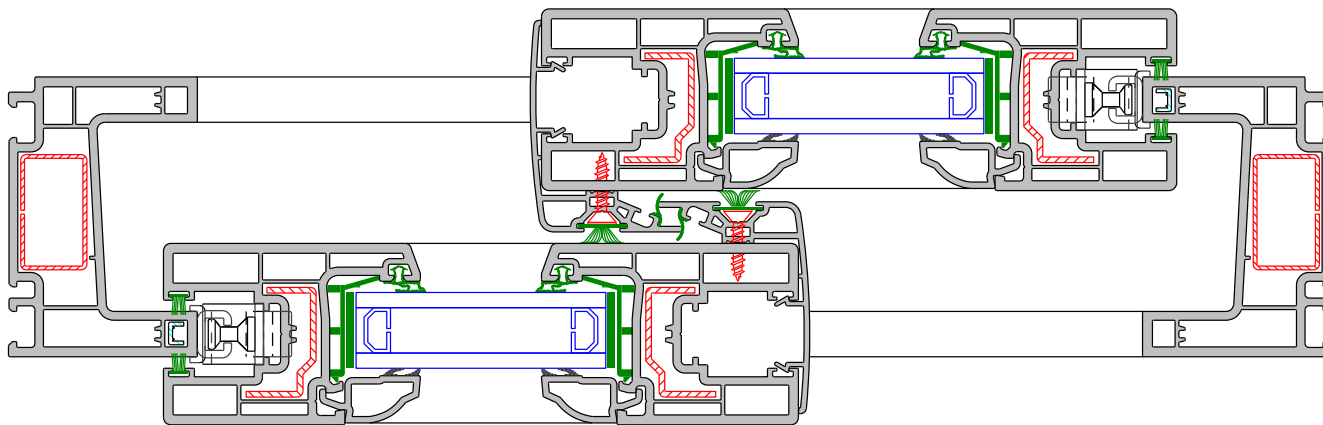


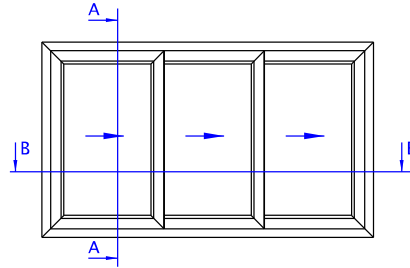


A-A

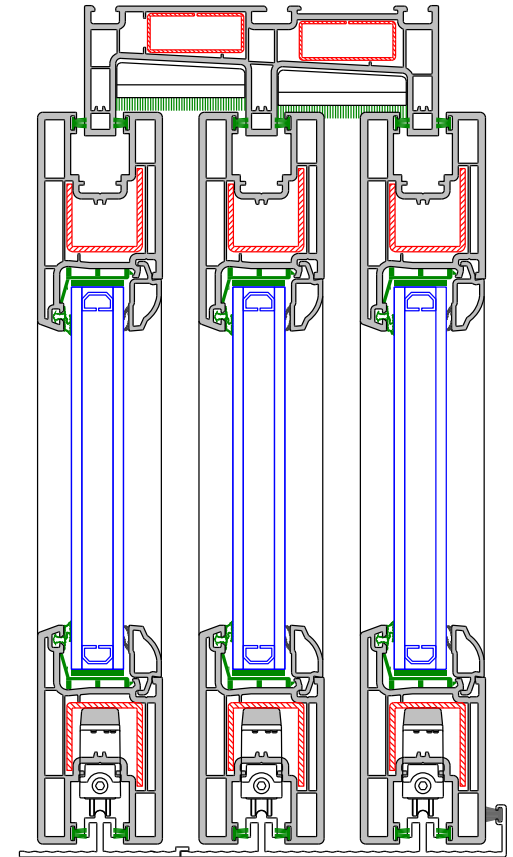


B-B

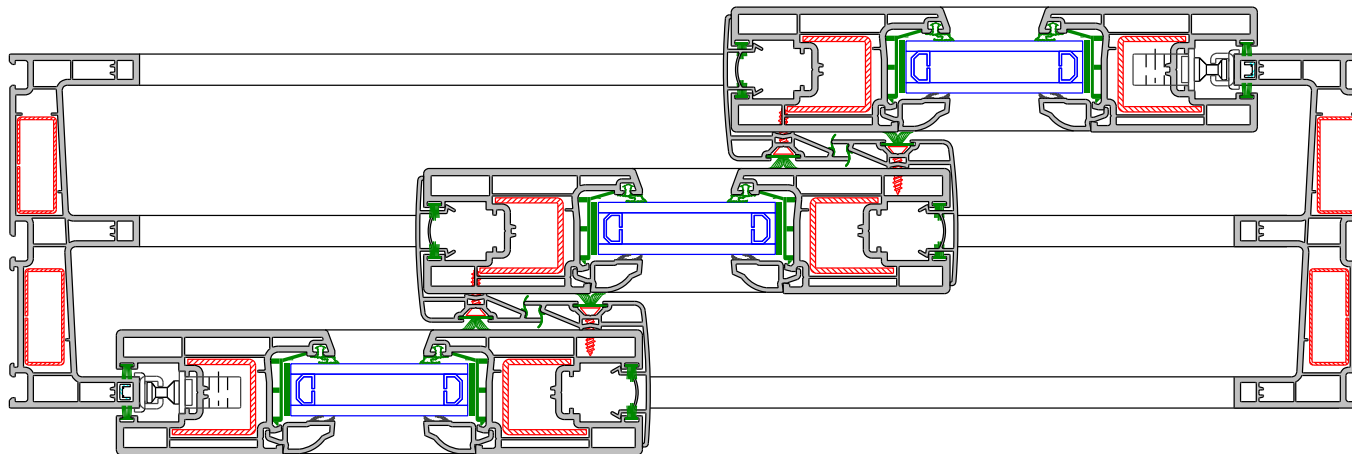




A - A



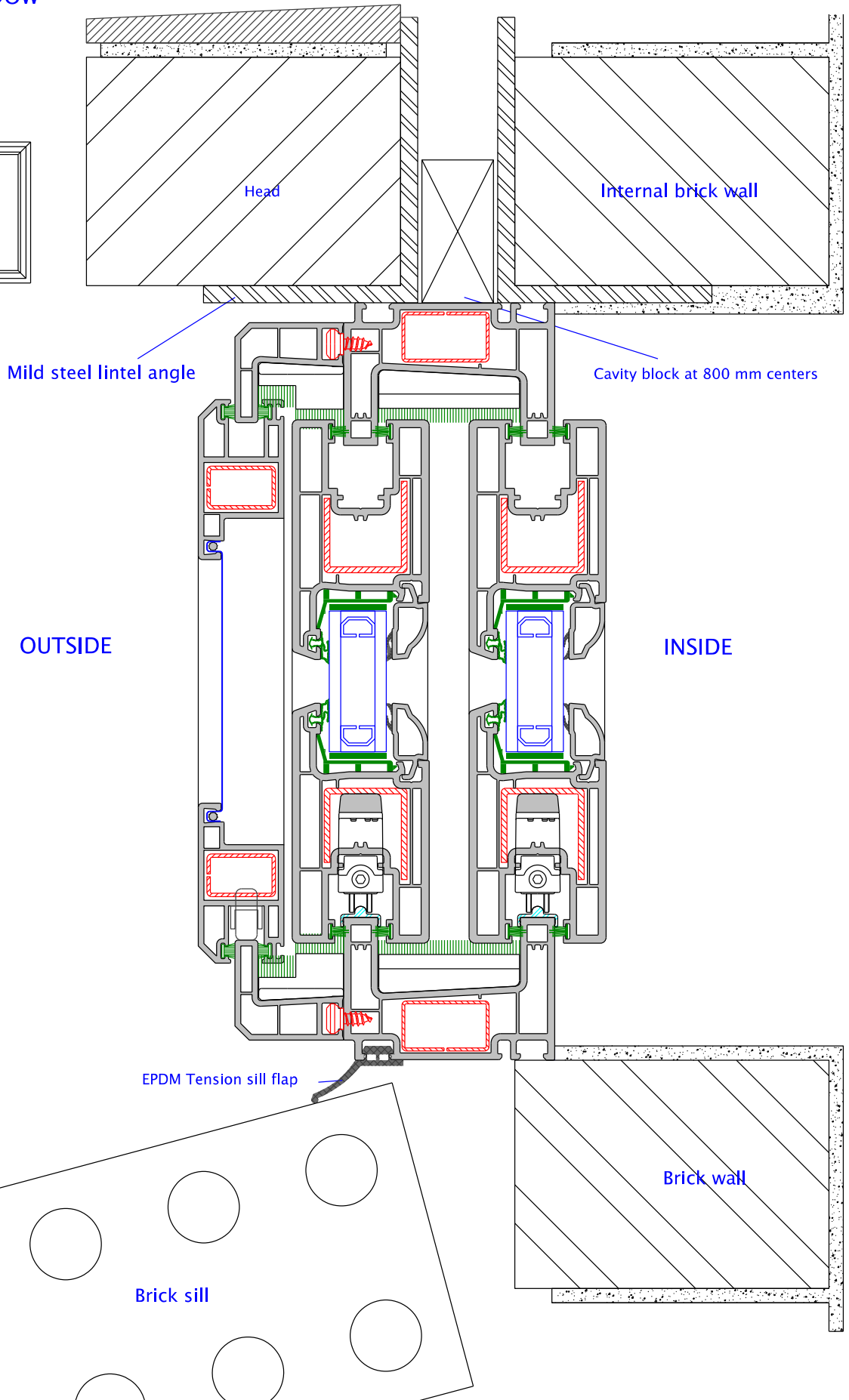
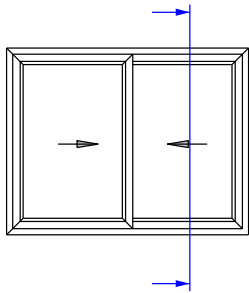
B - B



Cavity Brick Sections

SLIDING WINDOW

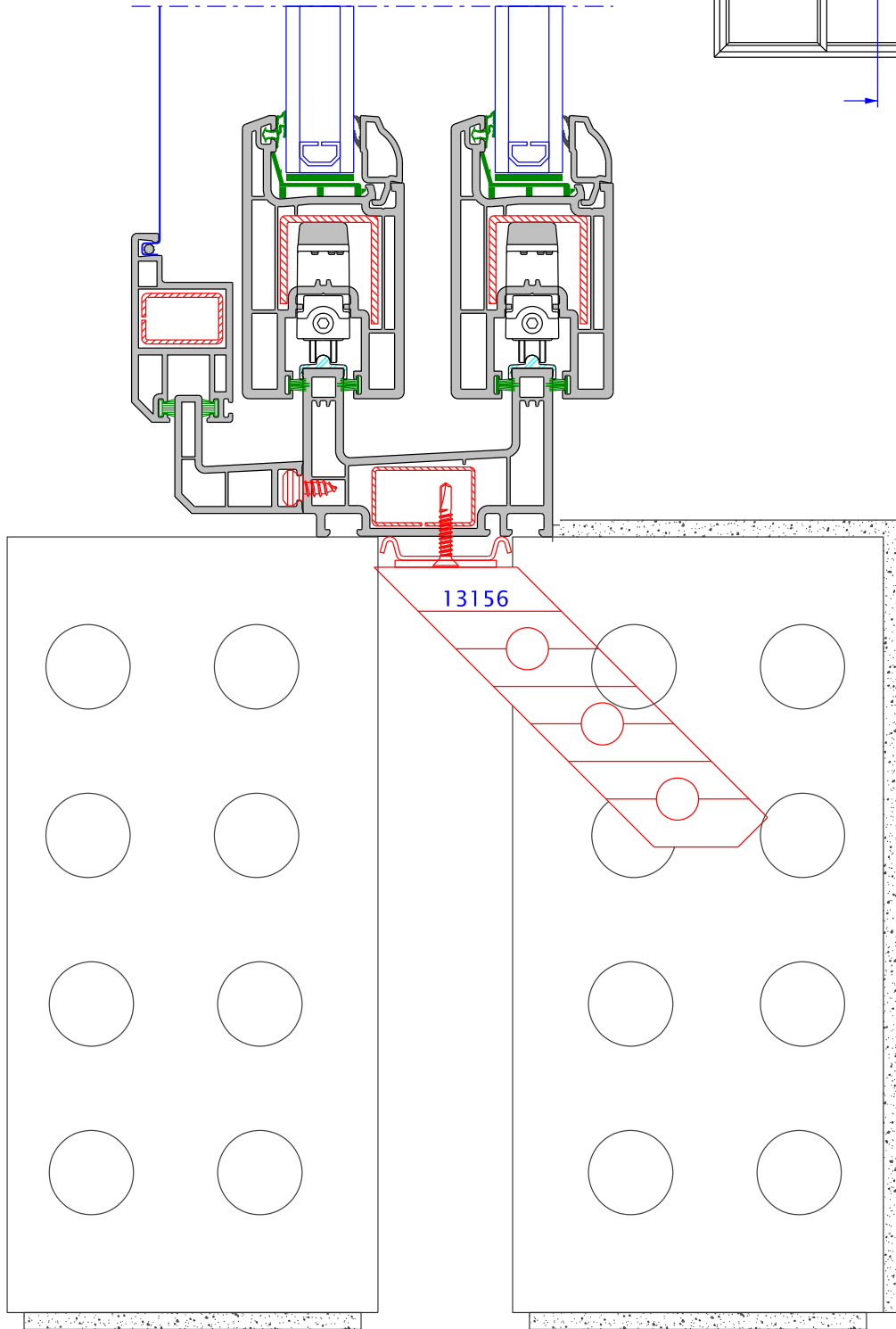
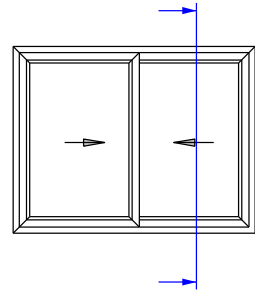
12660



Cavity Brick Sections

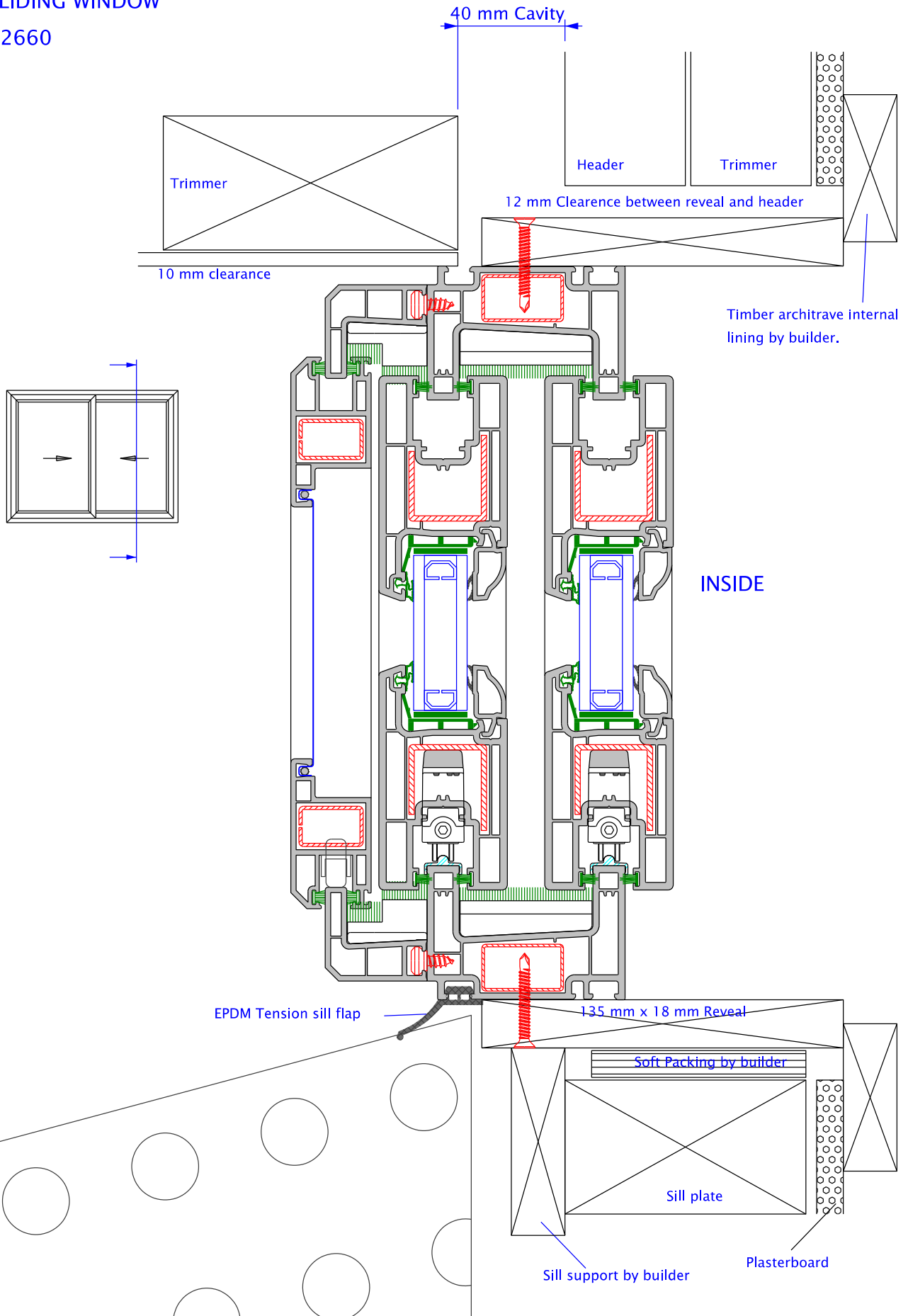
SLIDING WINDOW

12660



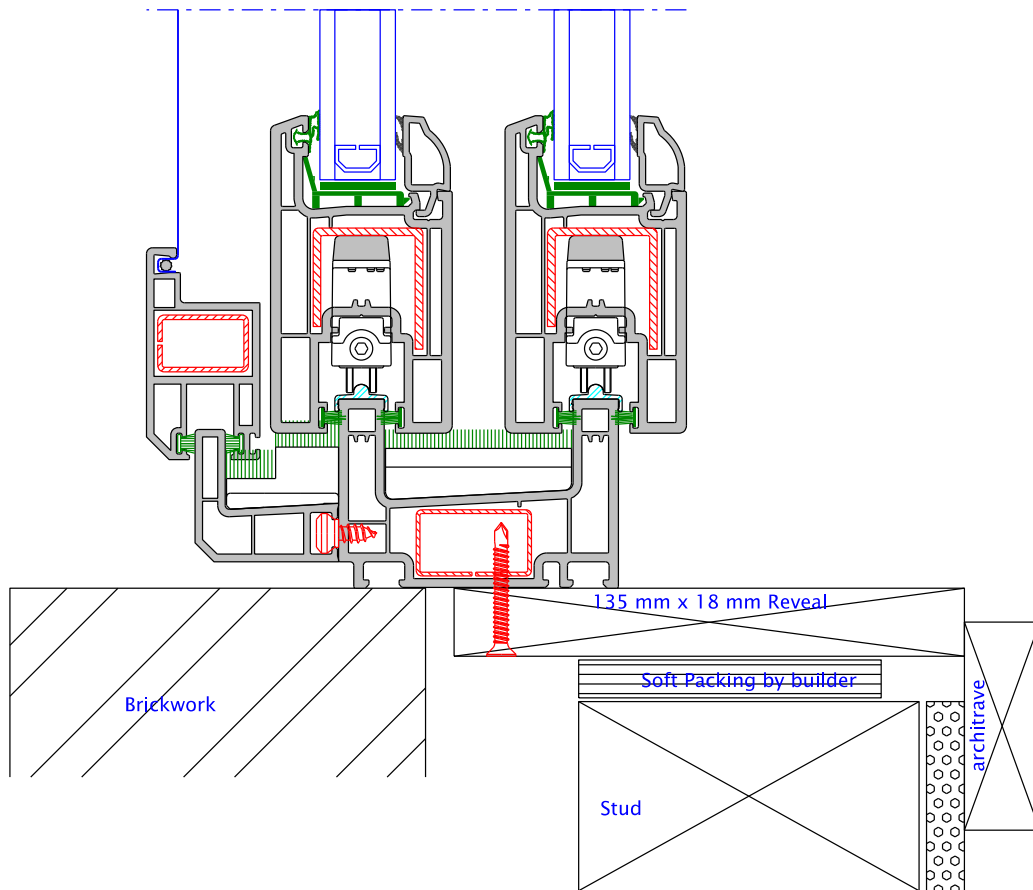
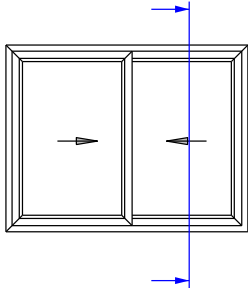
Brick Veneer Sections

SLIDING WINDOW
12660

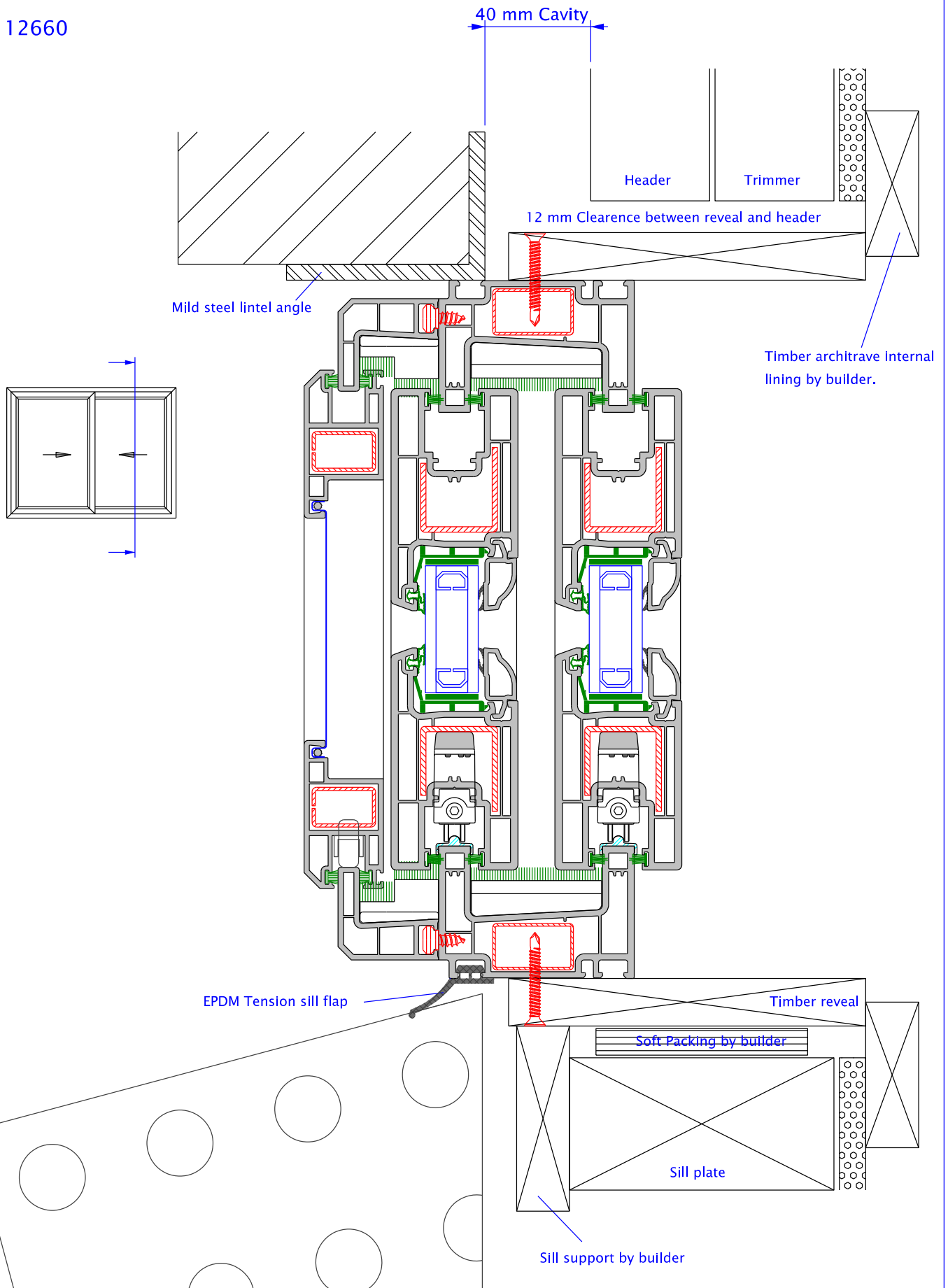


Technical documents are subject to change without notice

Brick Veneer Sections
SLIDING WINDOW
12660



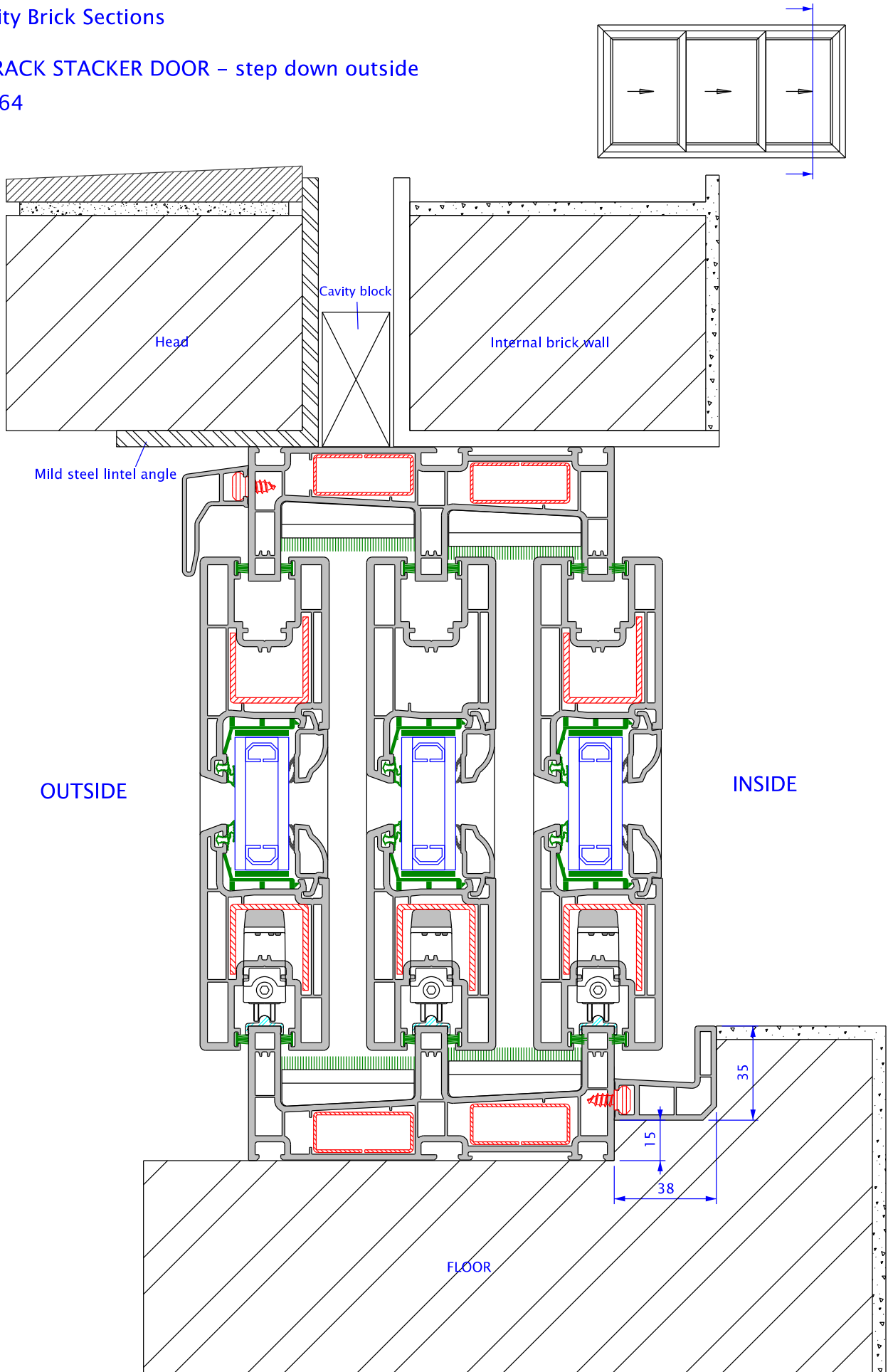
Brick Veneer Sections
SLIDING WINDOW
12660



Technical documents are subject to change without notice

Cavity Brick Sections

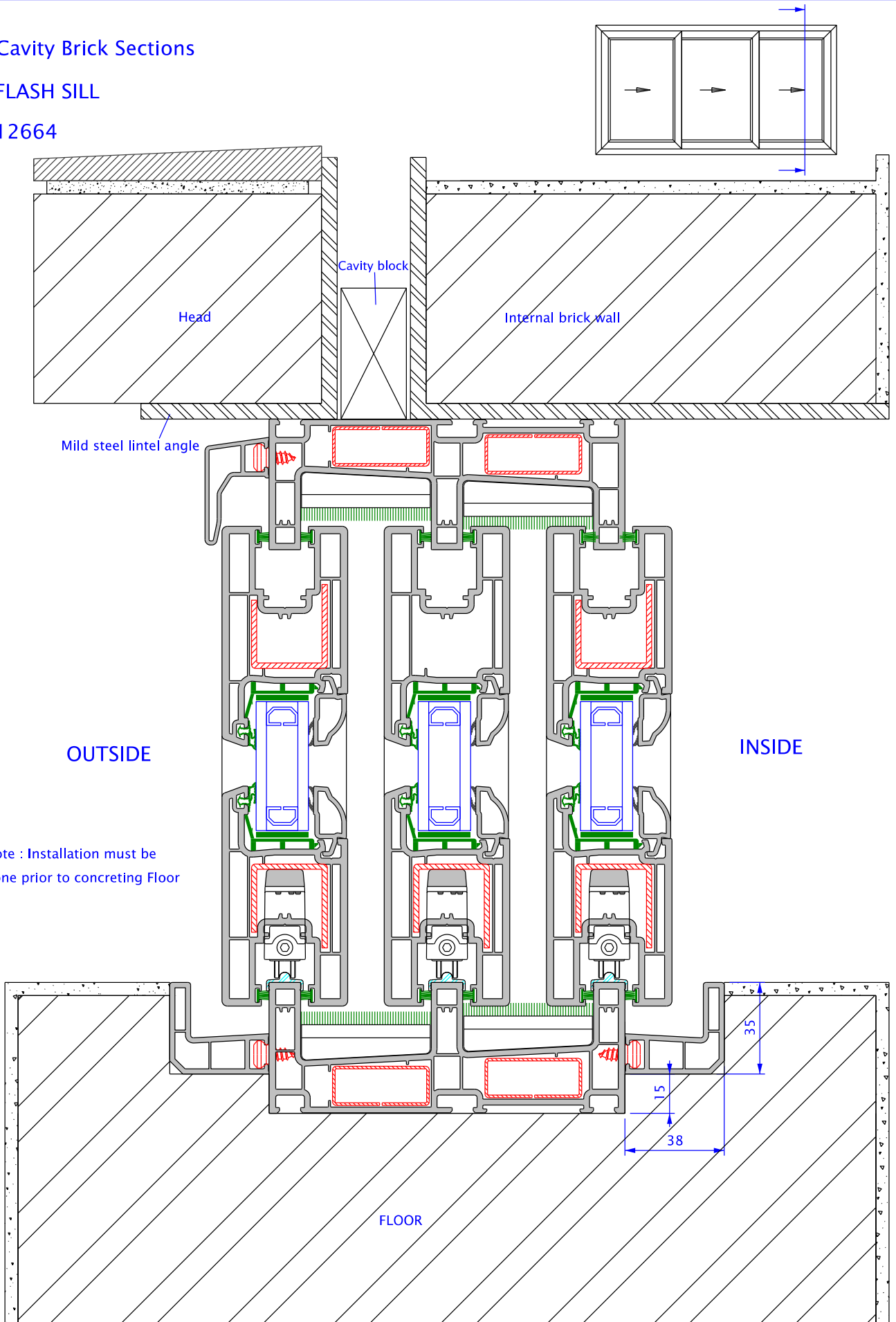
3 TRACK STACKER DOOR – step down outside
12664



Cavity Brick Sections

FLASH SILL

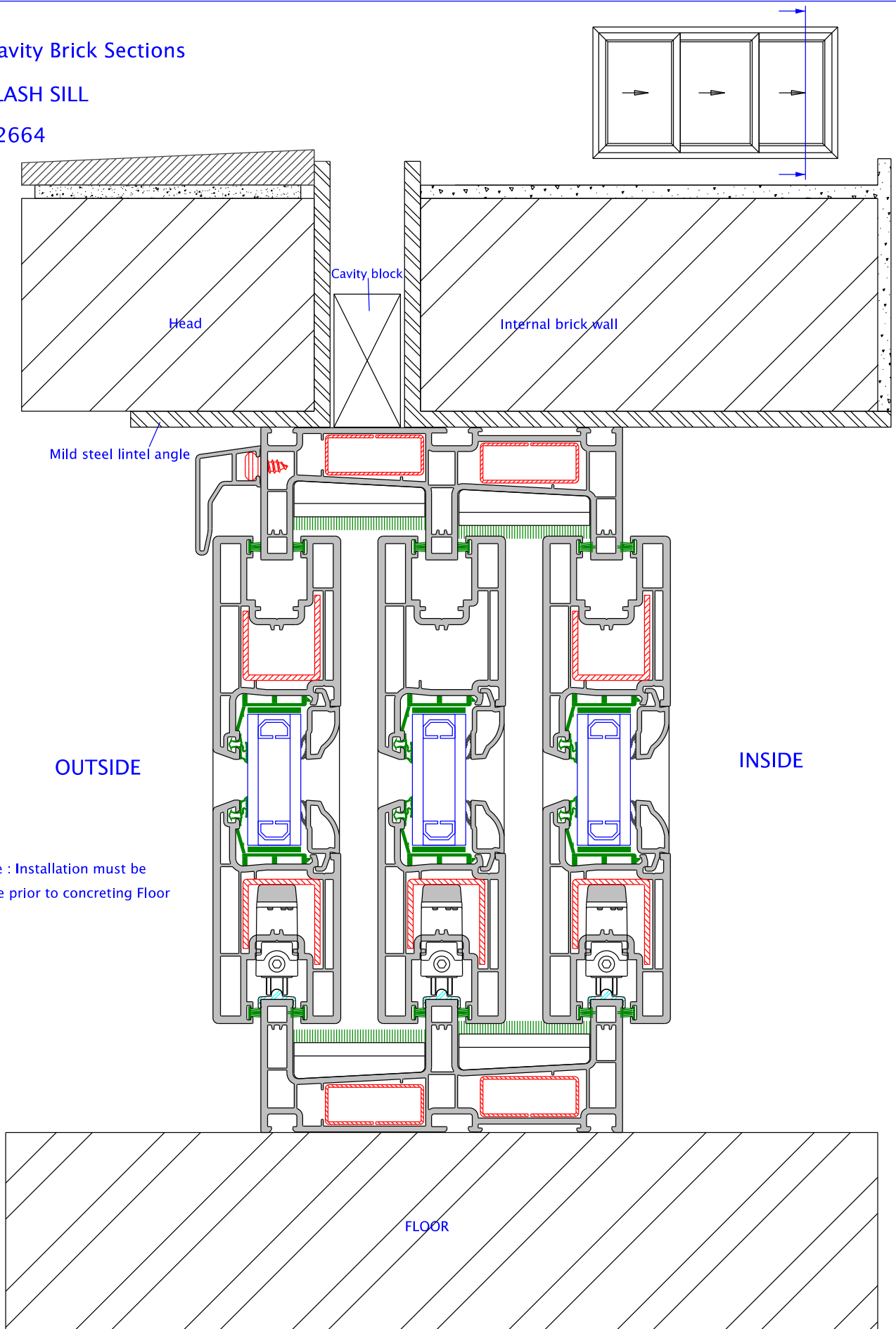
12664



Cavity Brick Sections

FLASH SILL

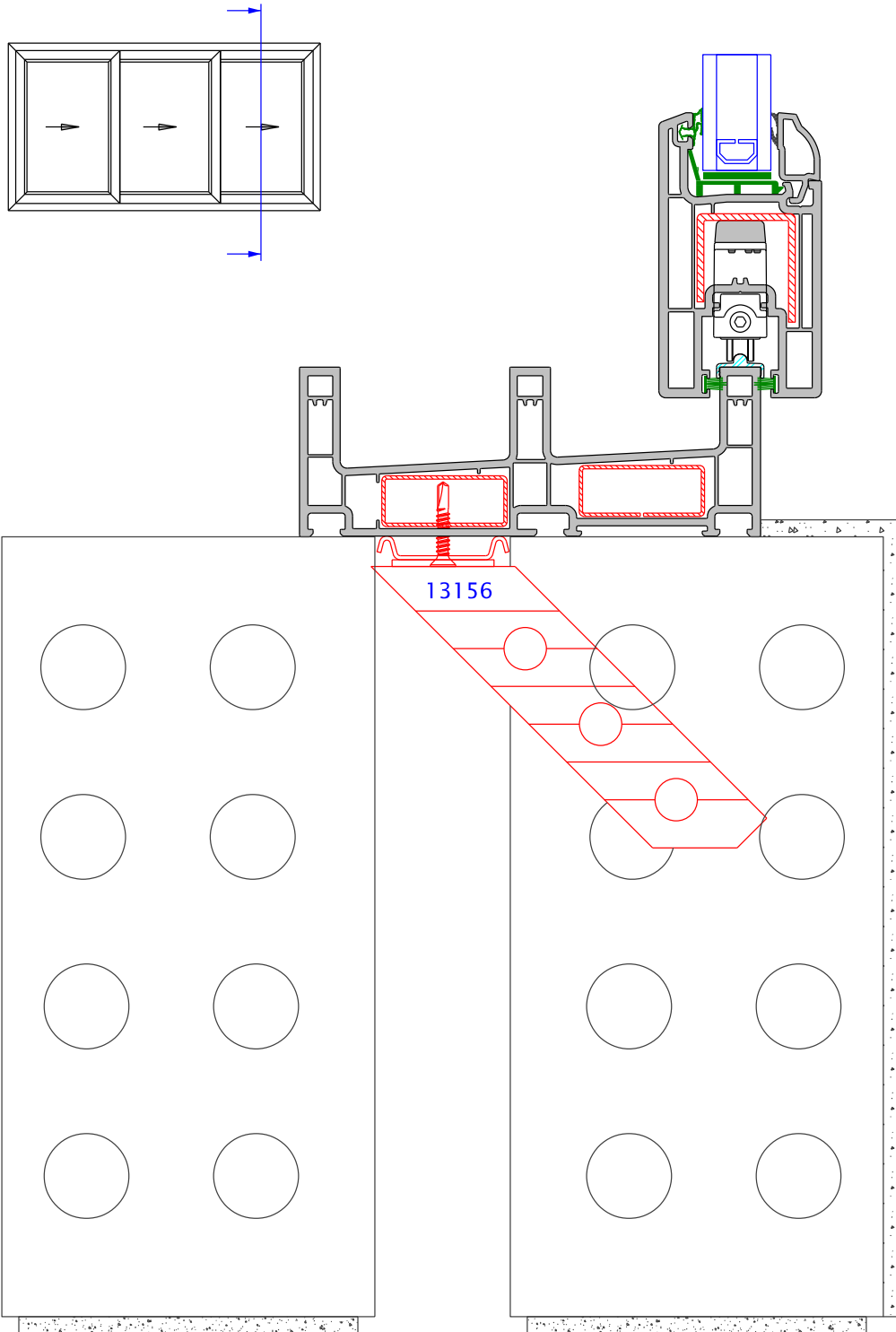
12664



Cavity Brick Sections

3 TRACK STACKER DOOR

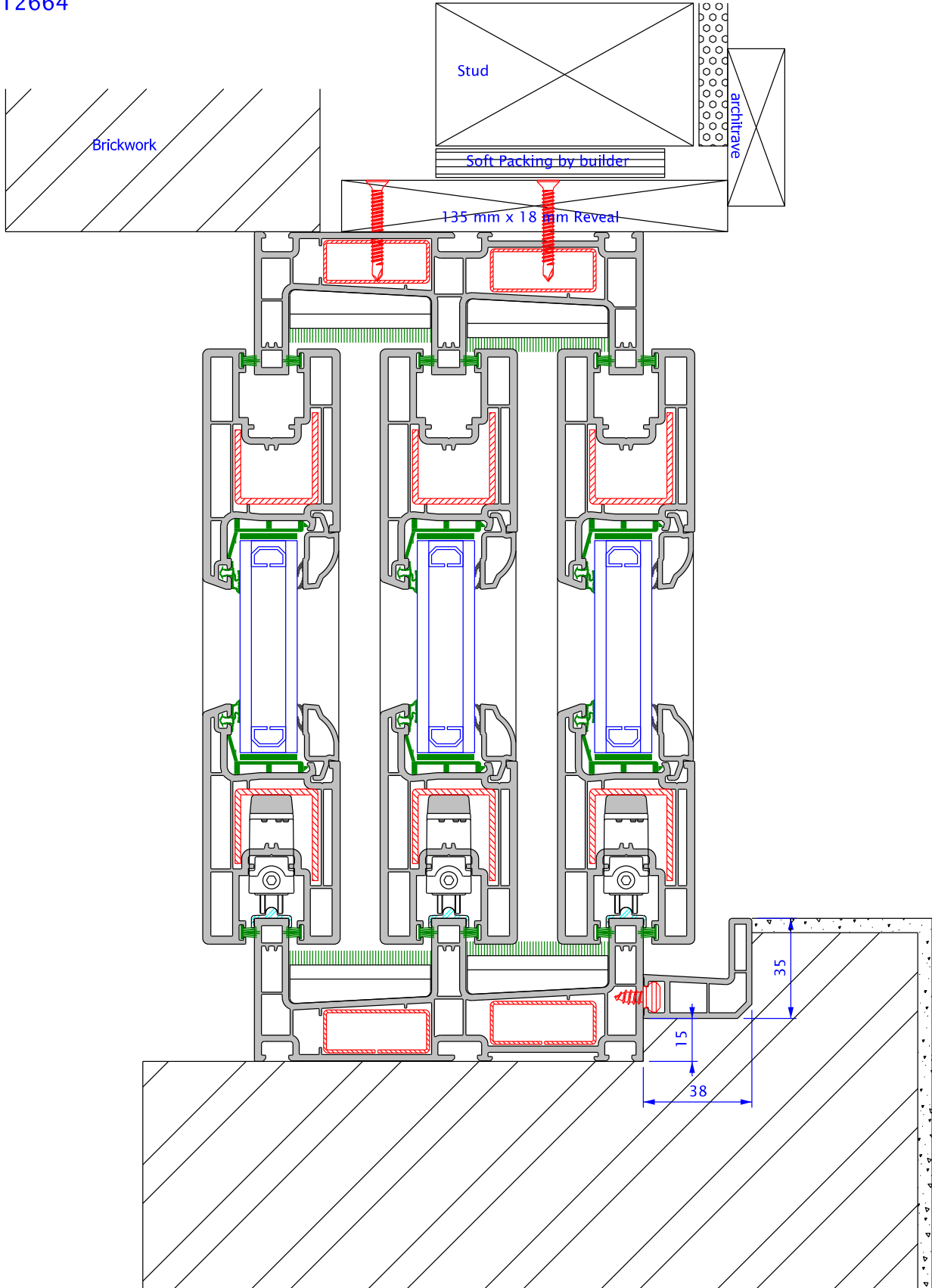
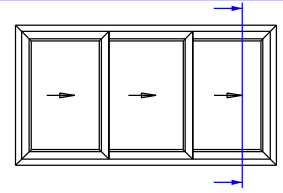
12664



Brick Veneer Sections

3 TRACK STACKER DOOR

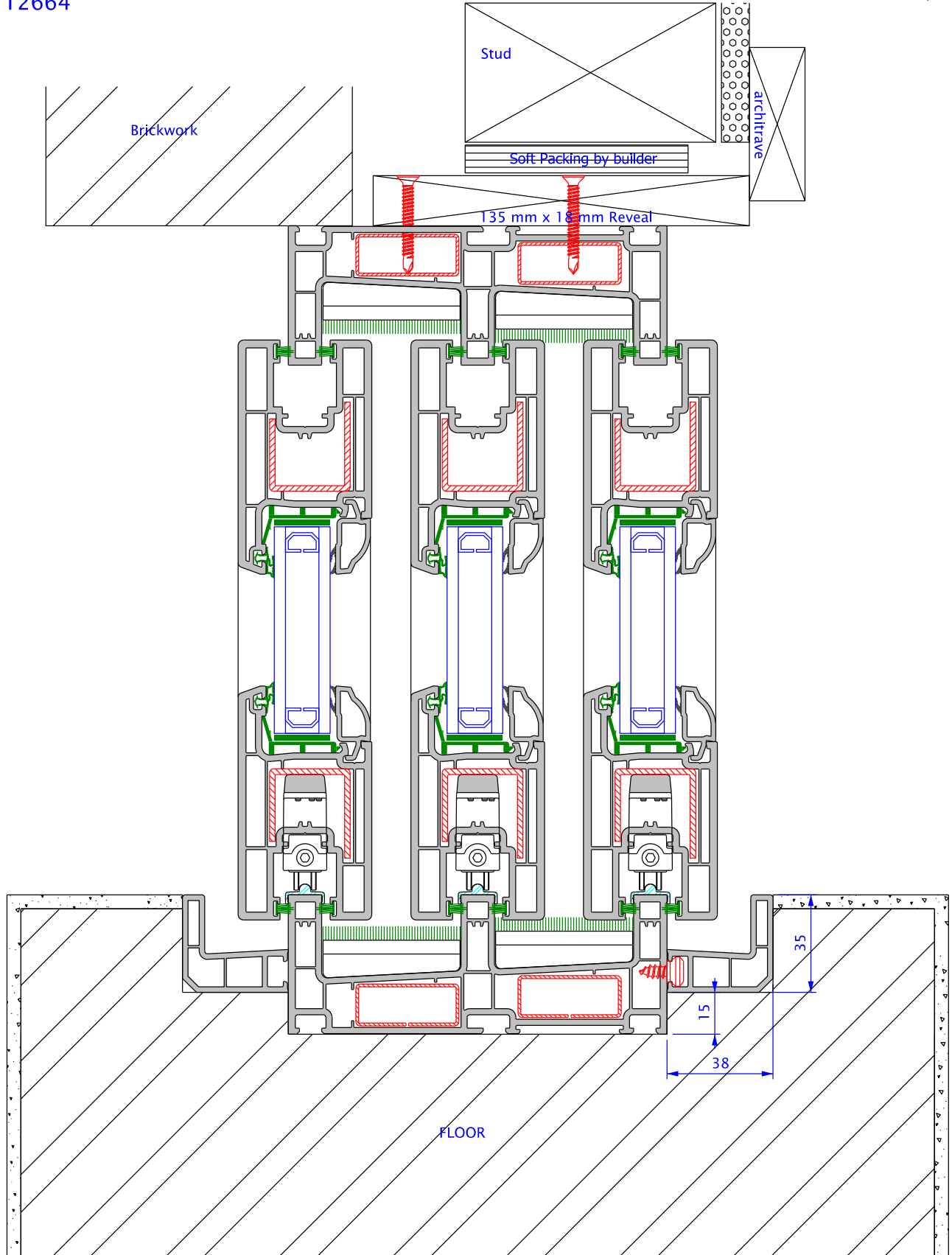
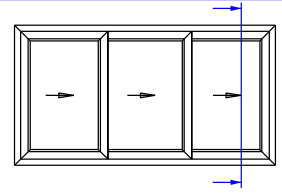
12664



Brick Veneer Sections

3 TRACK STACKER DOOR

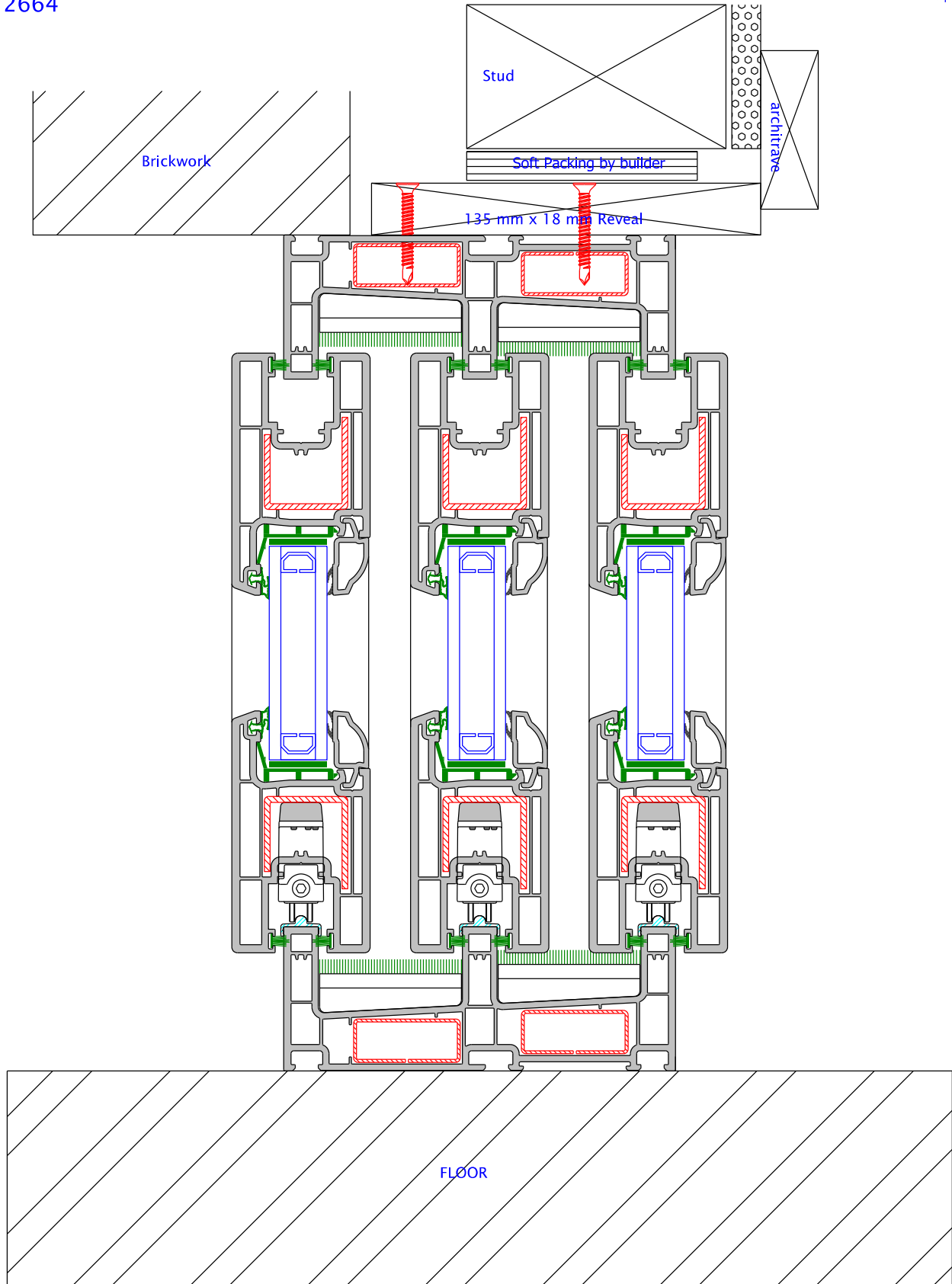
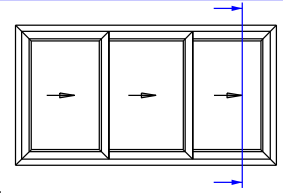
12664



Brick Veneer Sections

3 TRACK STACKER DOOR

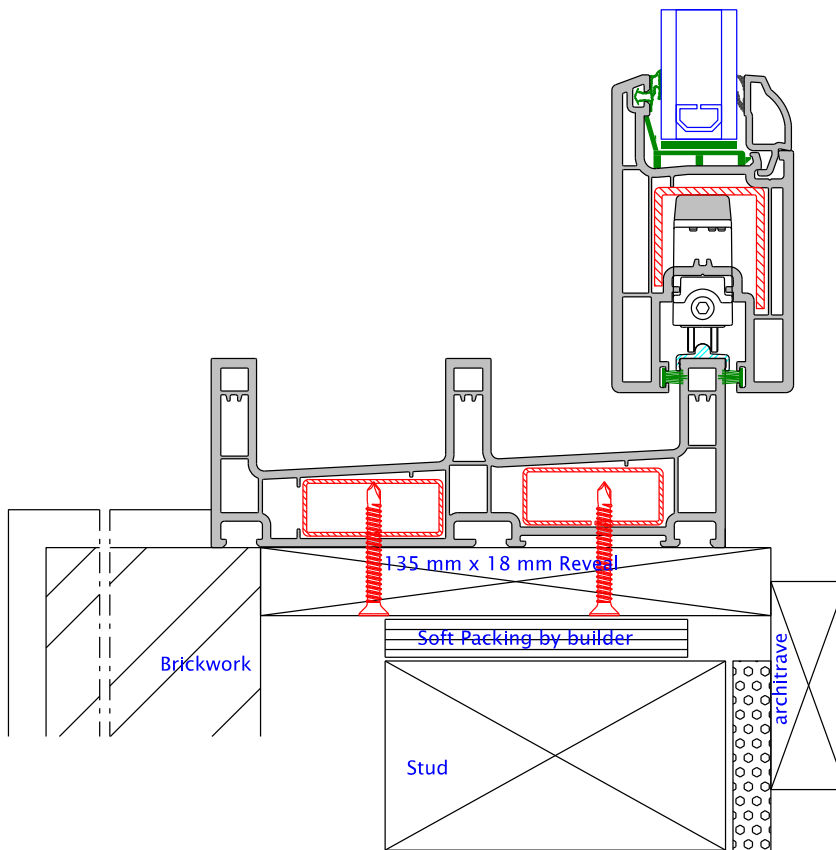
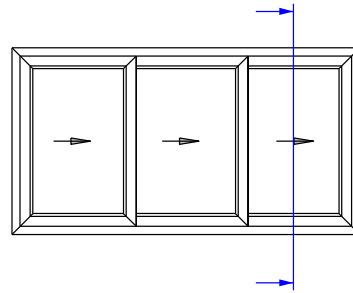
12664



Brick Veneer Sections

3 TRACK STACKER DOOR

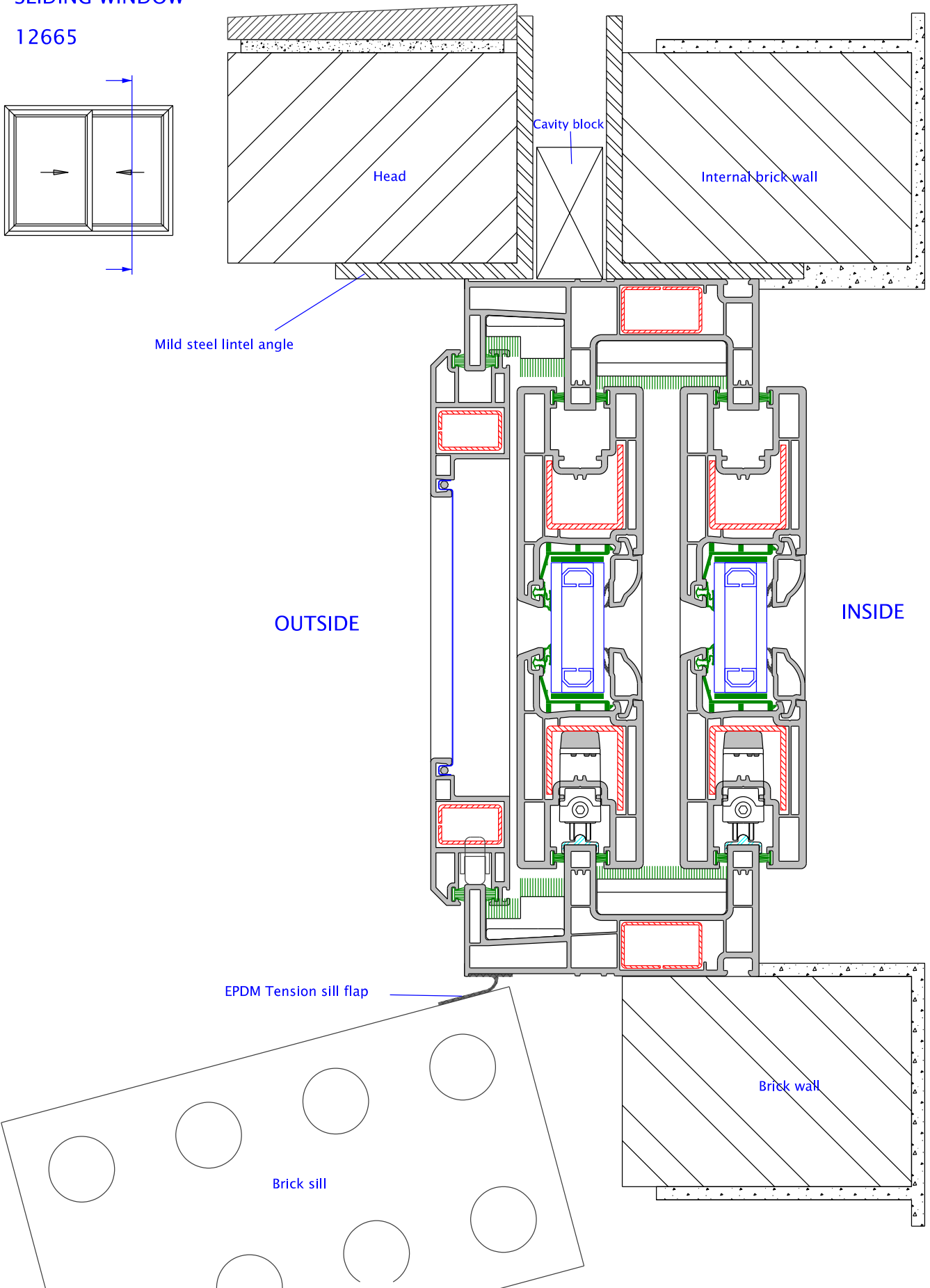
12664



Cavity Brick Sections

SLIDING WINDOW

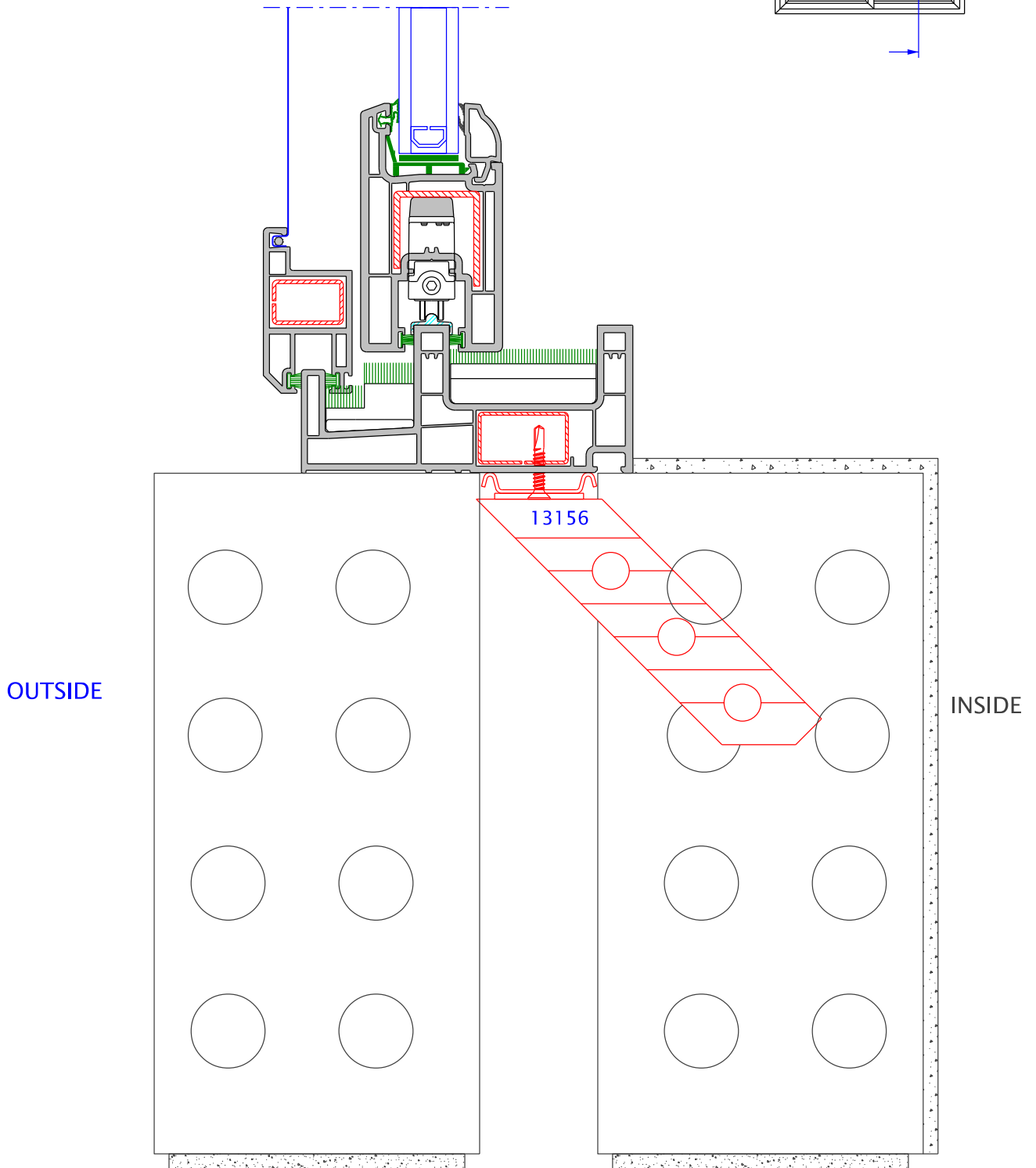
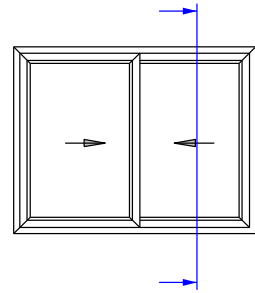
12665



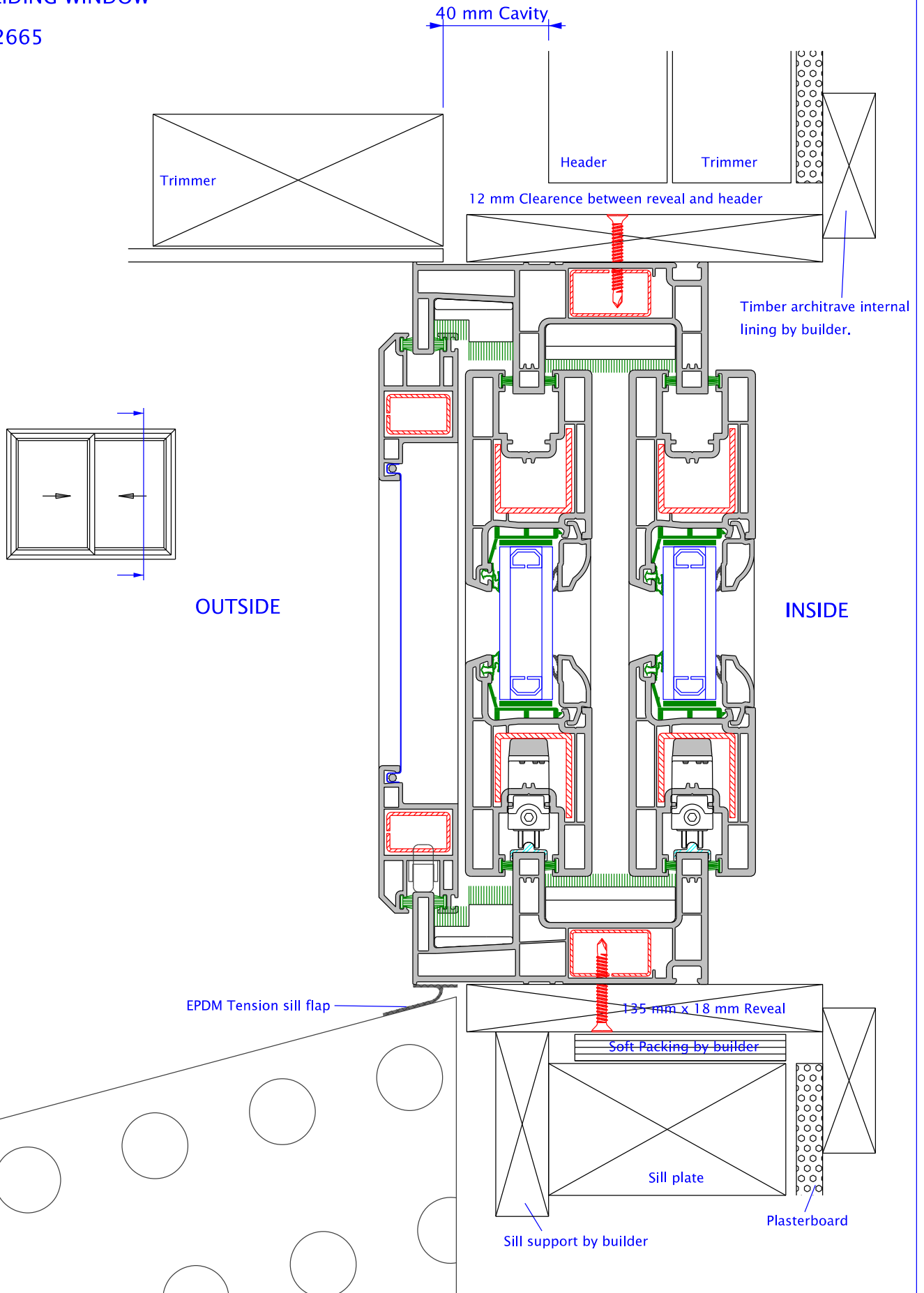
Cavity Brick Sections

SLIDING WINDOW

12665

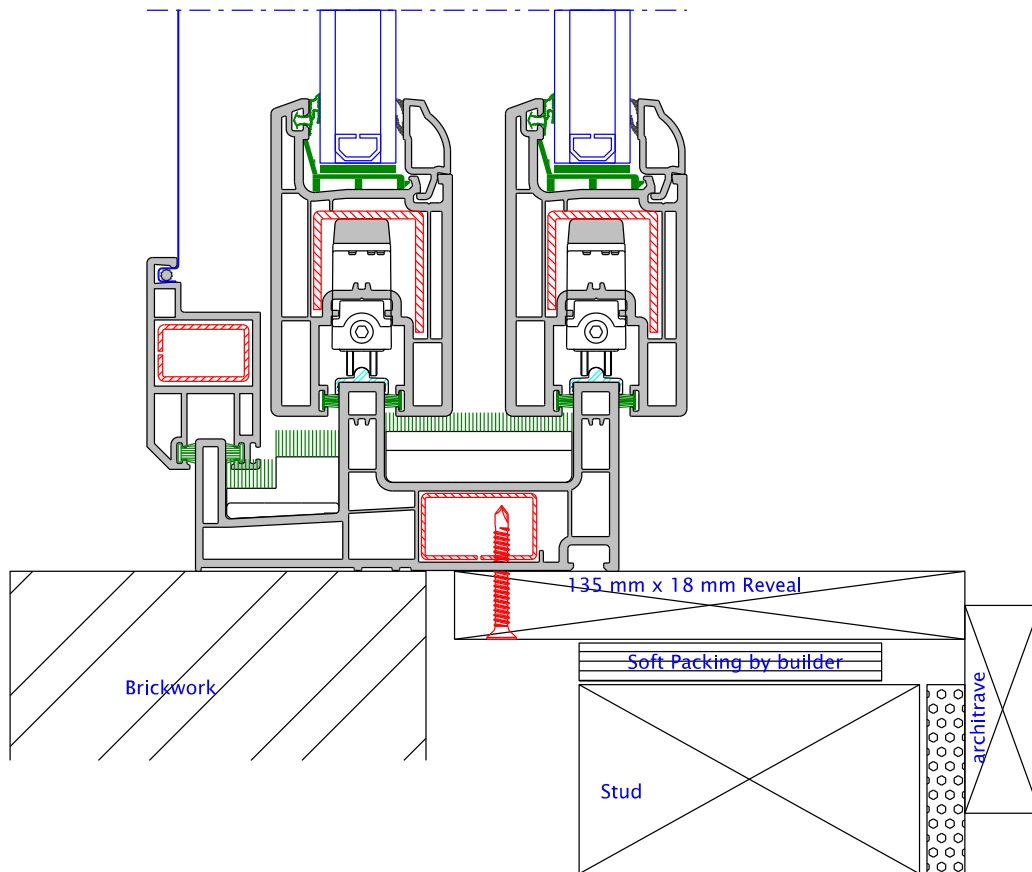
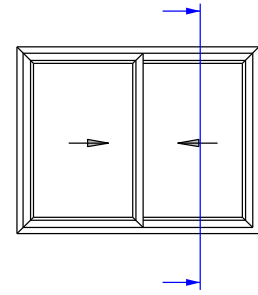


Brick Veneer Sections
SLIDING WINDOW
12665

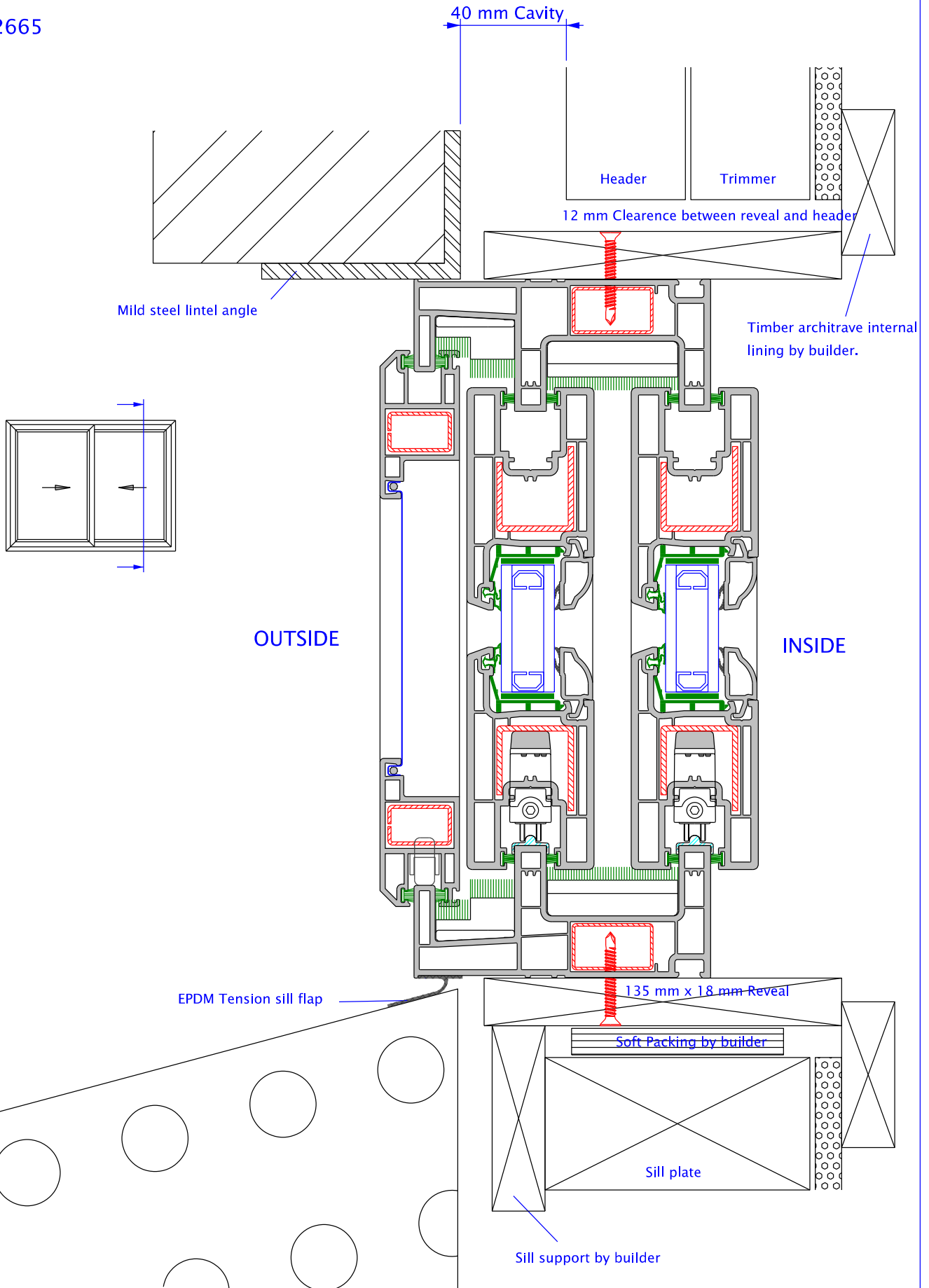


Technical documents are subject to change without notice

Brick Veneer Sections
SLIDING WINDOW
12665



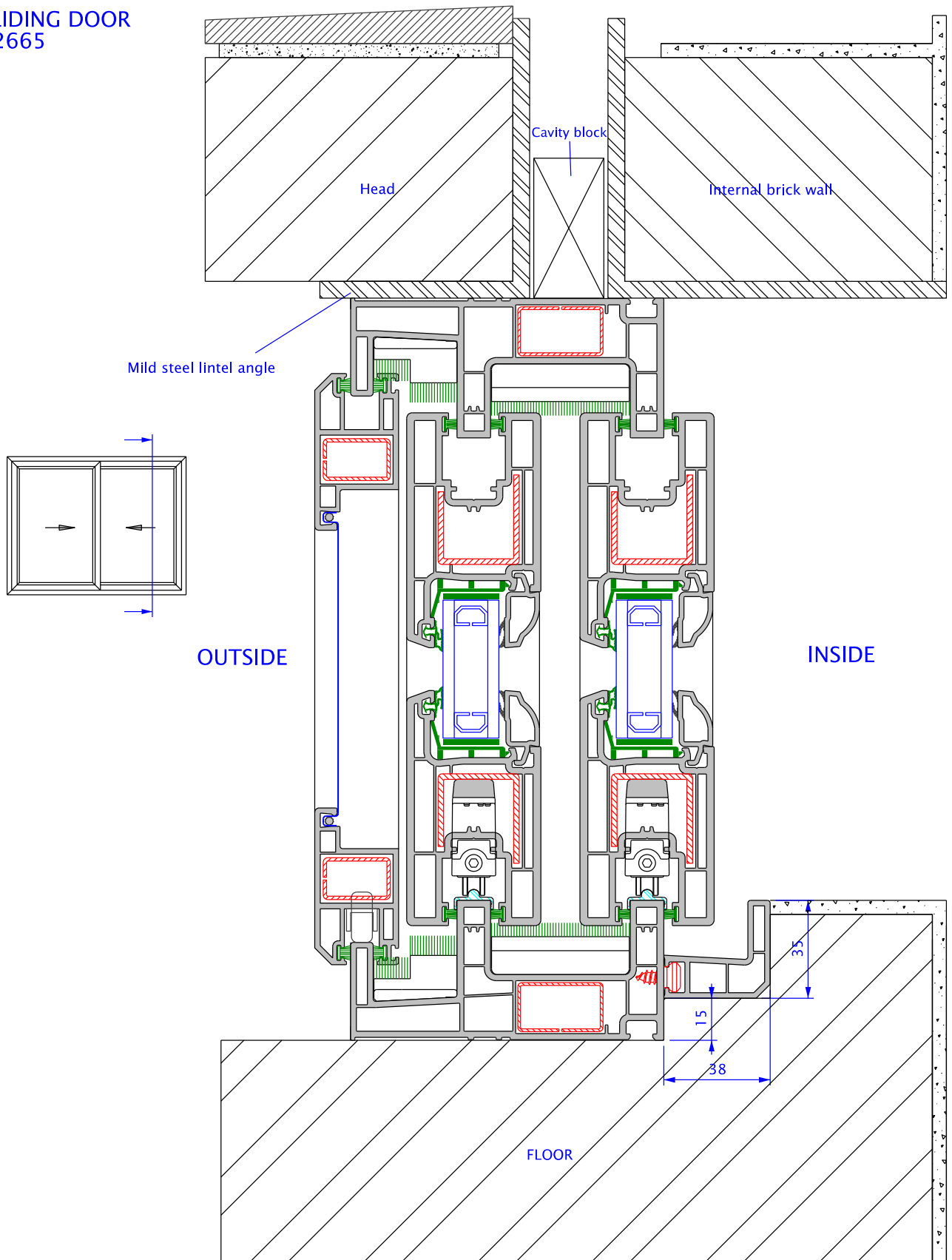
Brick Veneer Sections
SLIDING WINDOW
12665



Technical documents are subject to change without notice

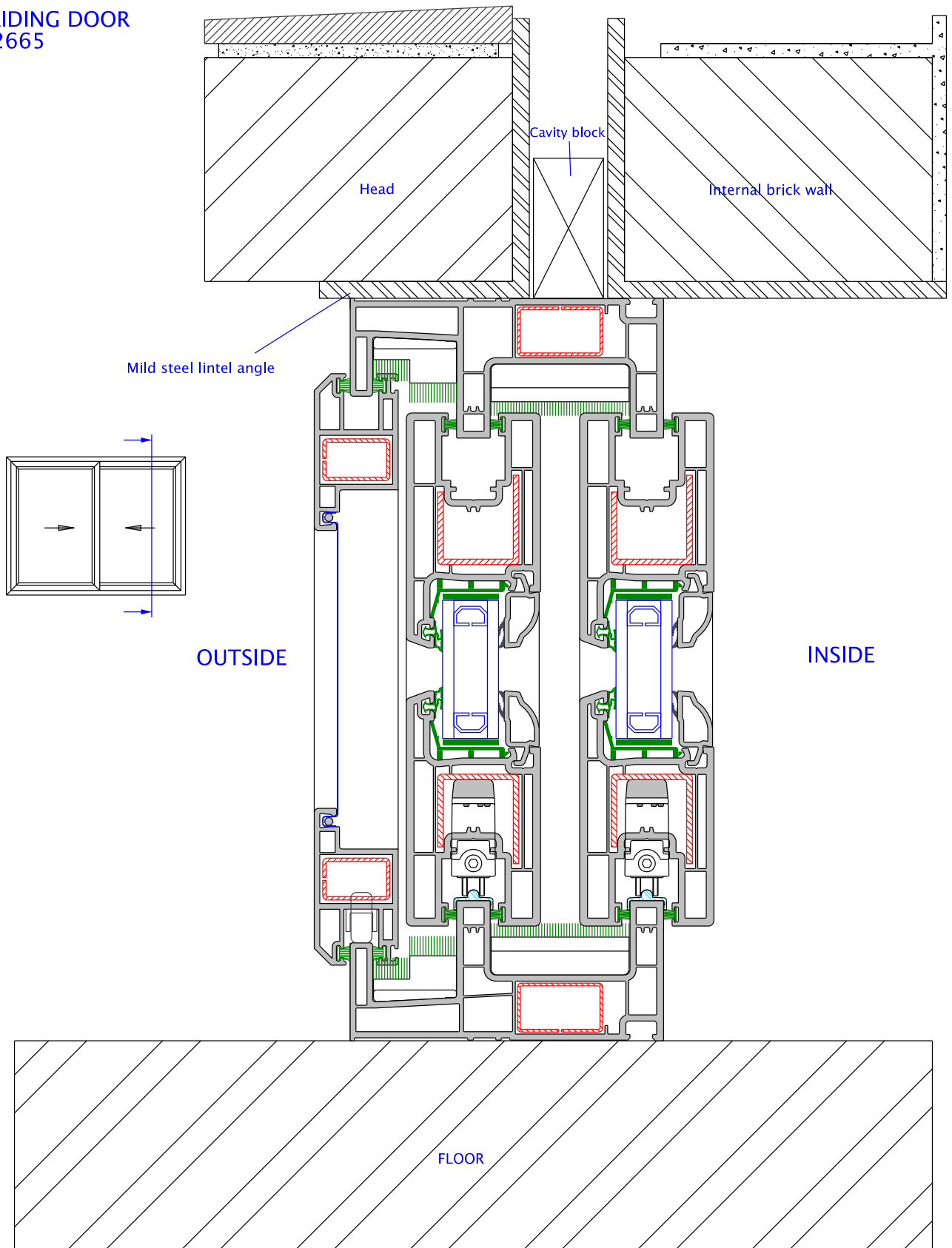
Cavity Brick Sections
Step down Outside

SLIDING DOOR
12665



Cavity Brick Sections
Step down Outside

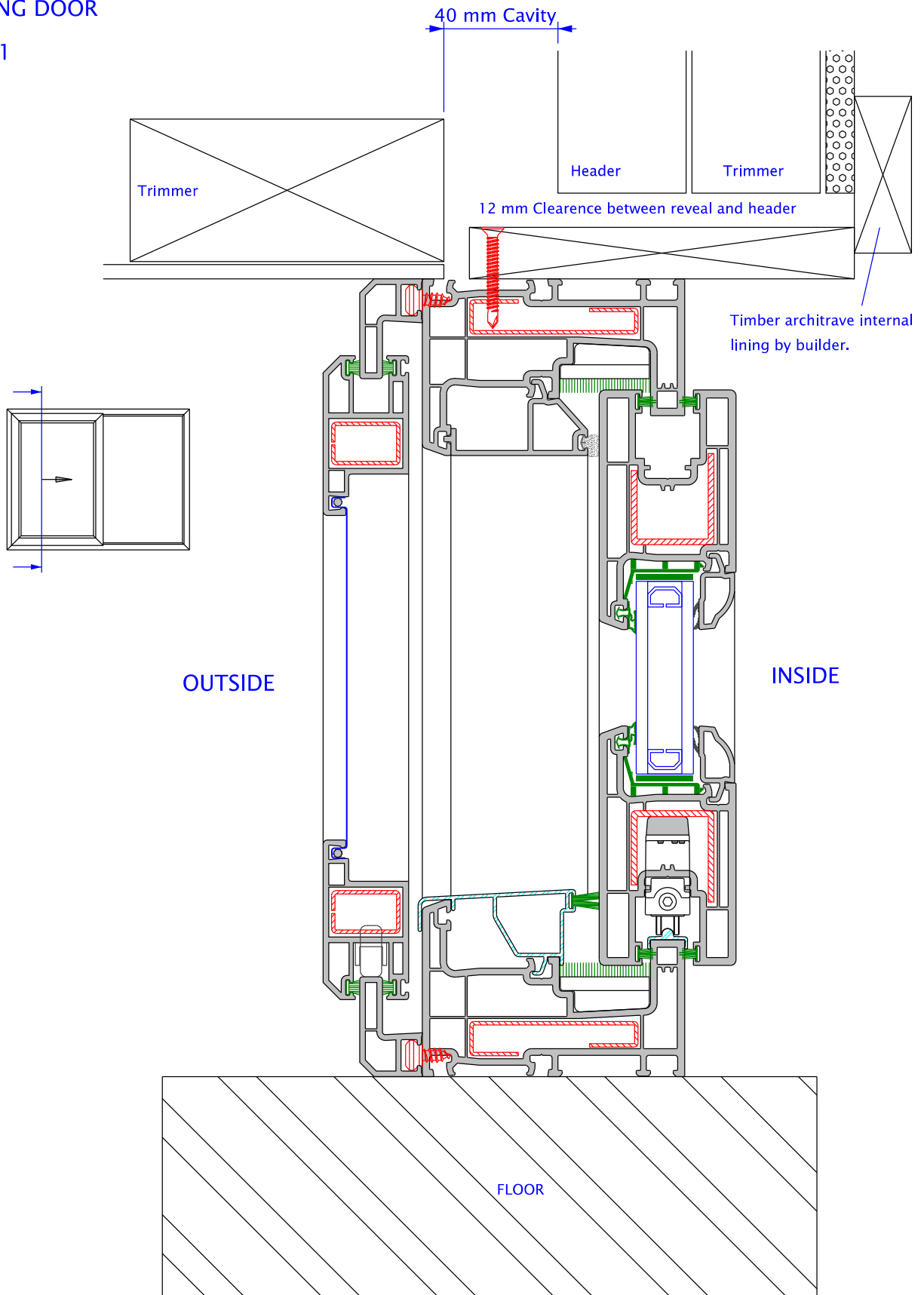
SLIDING DOOR
12665



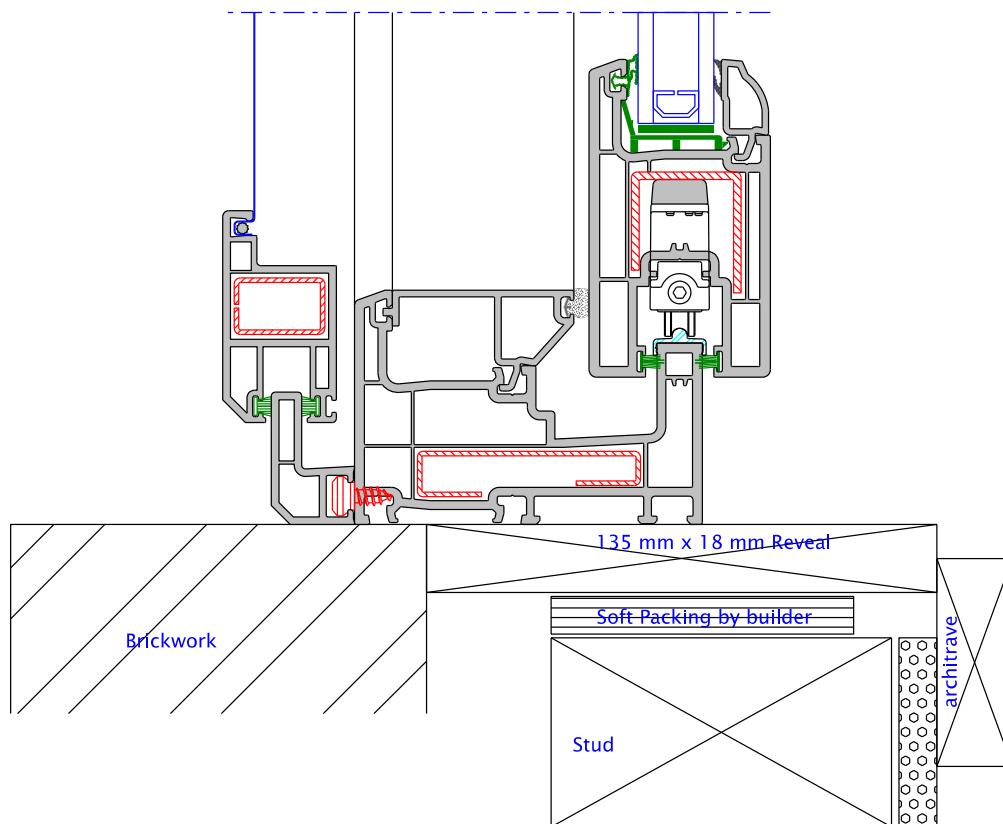
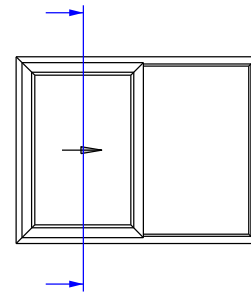
Brick Veneer Sections

SLIDING DOOR

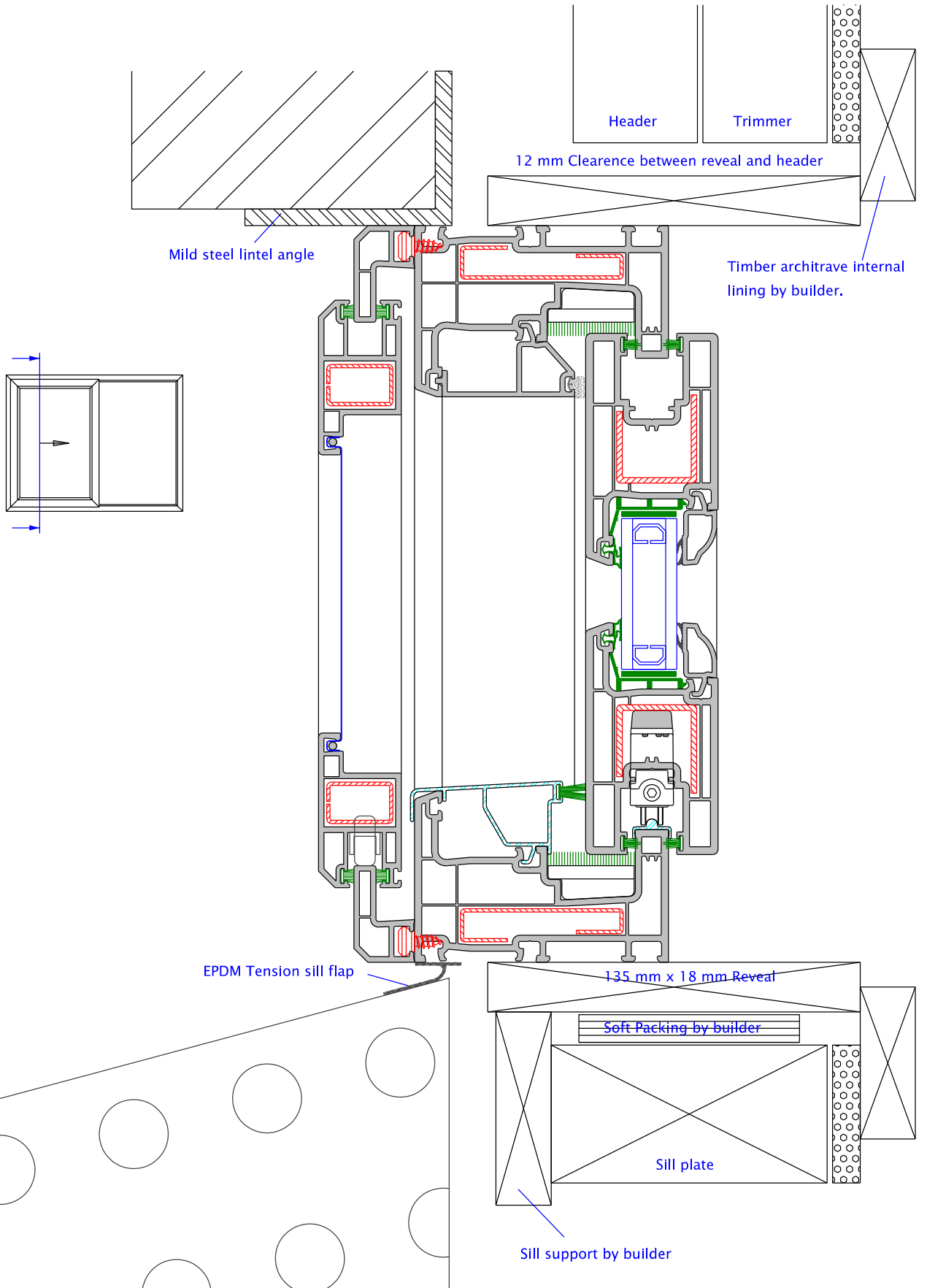
12661



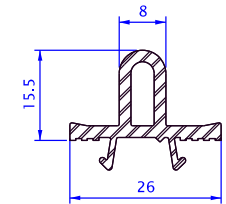
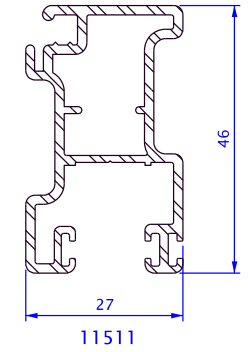
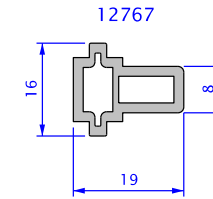
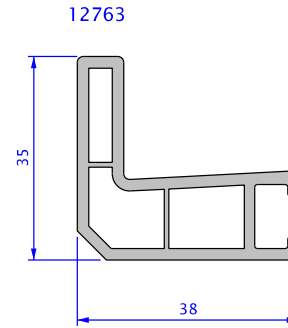
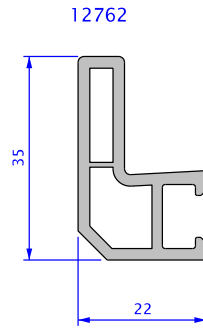
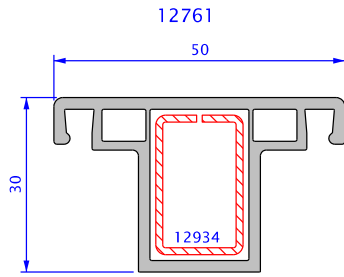
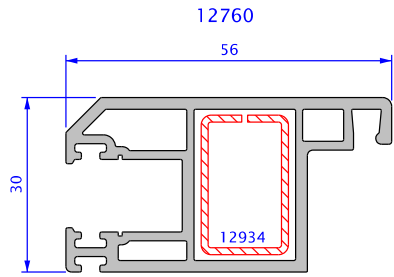
Brick Veneer Sections
SLIDING WINDOW
12661



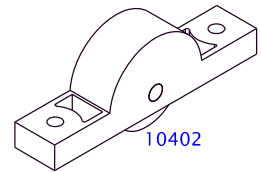
Brick Veneer Sections
SLIDING DOOR
12661



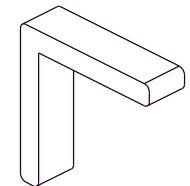
Technical documents are subject to change without notice



11510

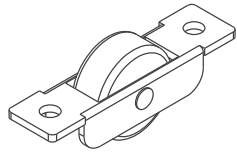


10402

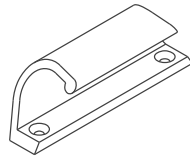


10404

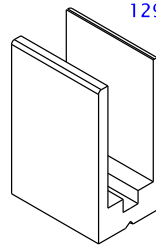
13132



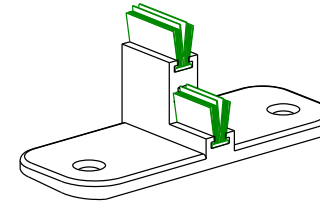
12866



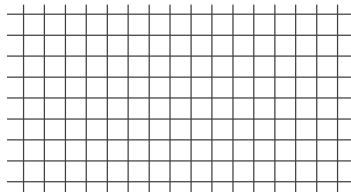
12973
=> 12671



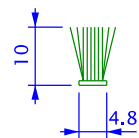
13131



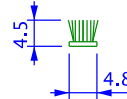
12820



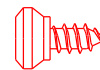
13133



841

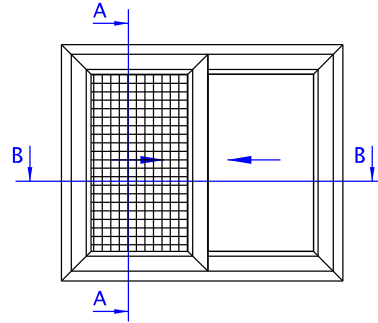


933



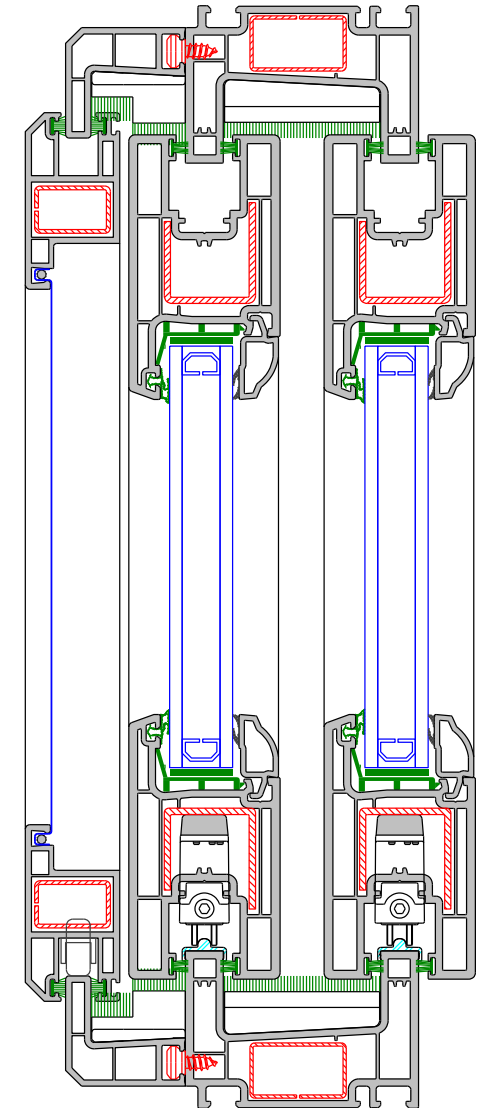
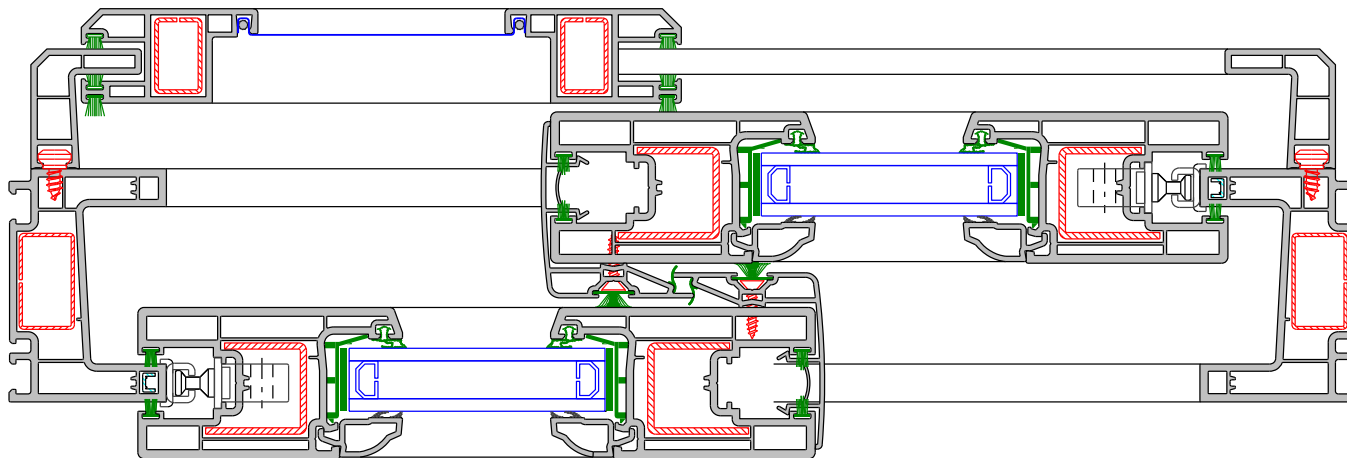
12965

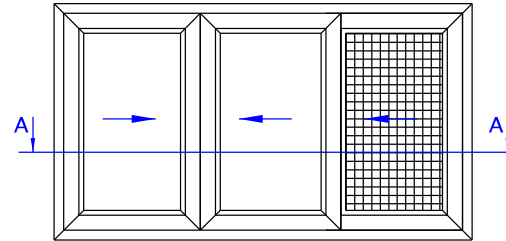




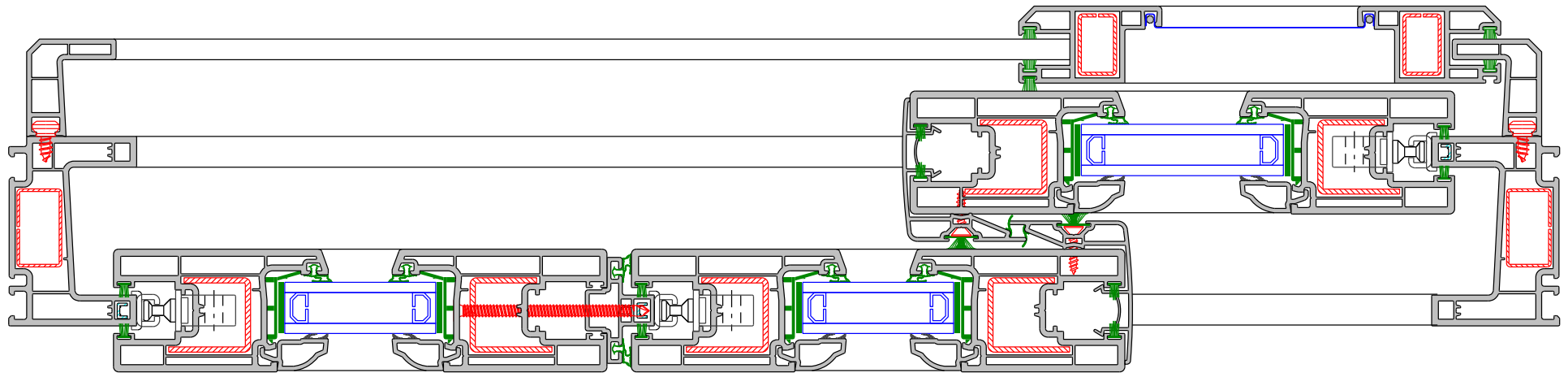
A - A

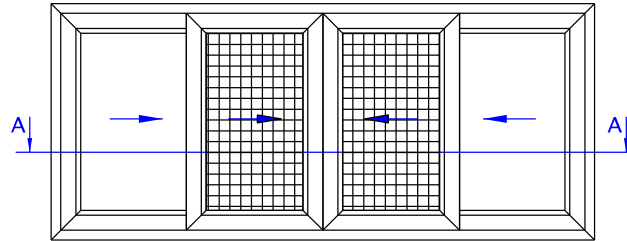
B - B



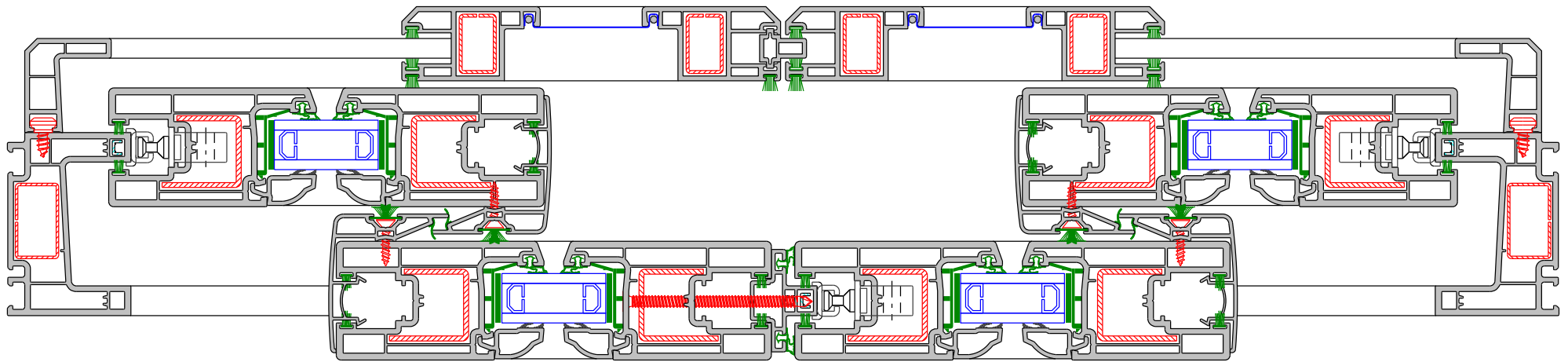


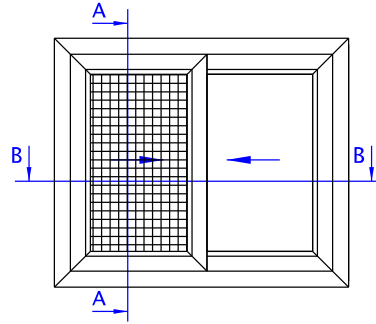
A - A





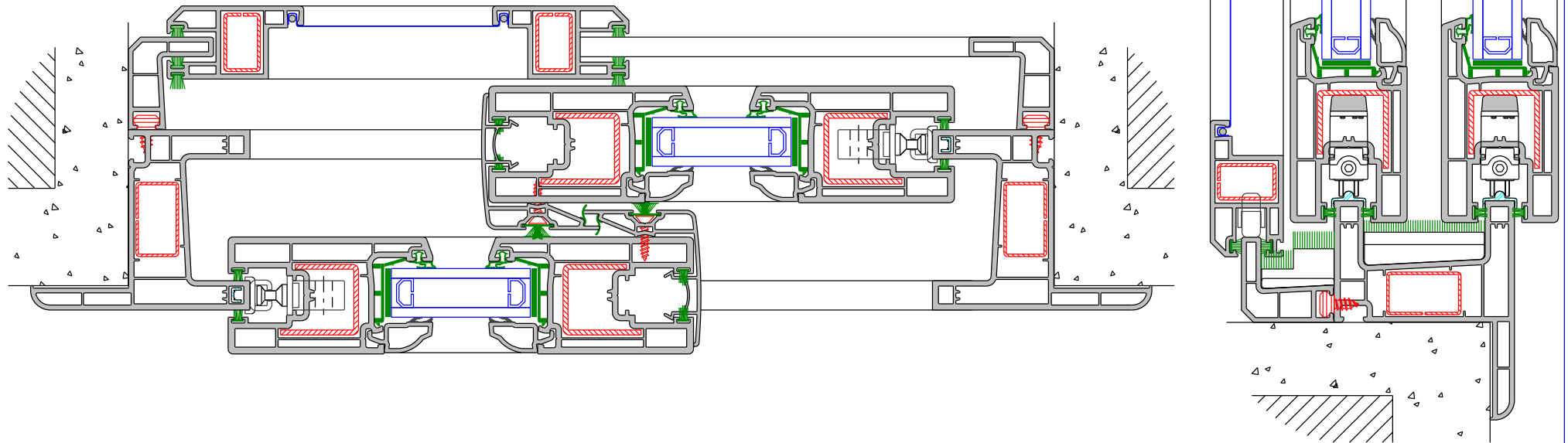
A - A

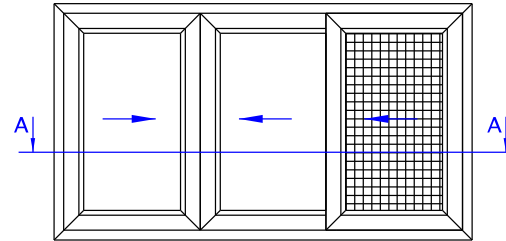




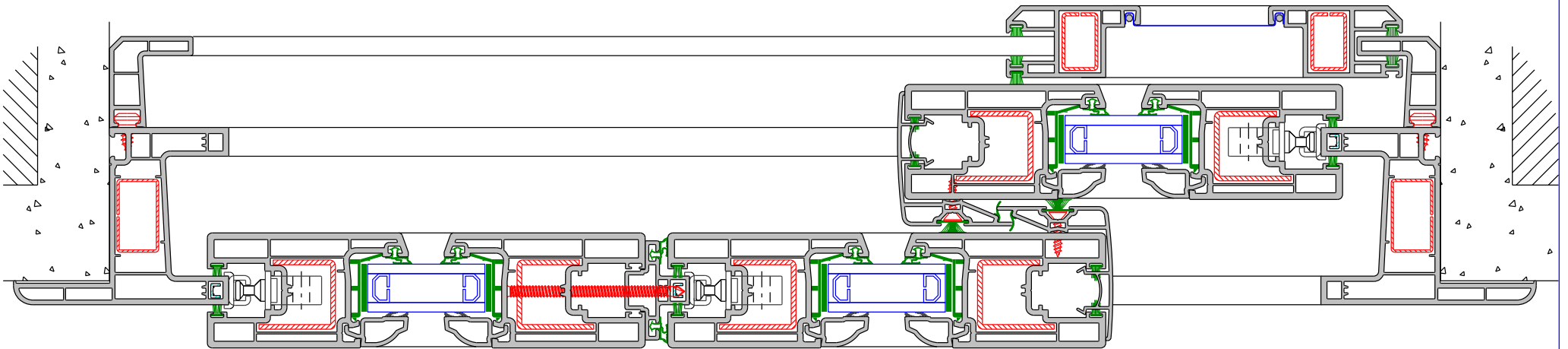
B - B

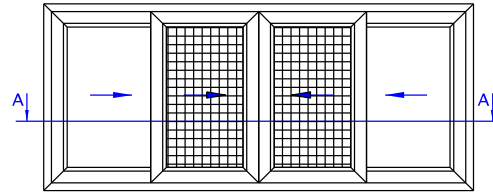
A - A



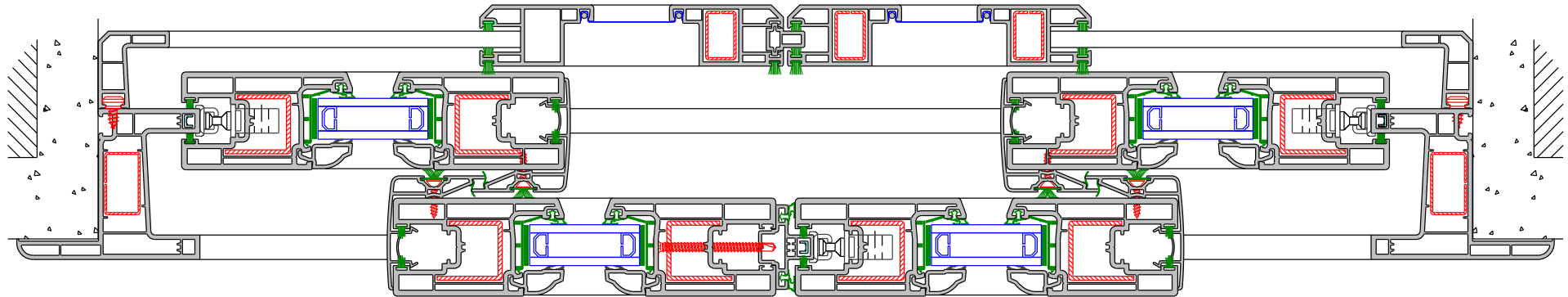


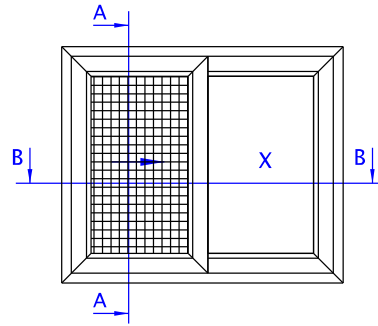
A - A



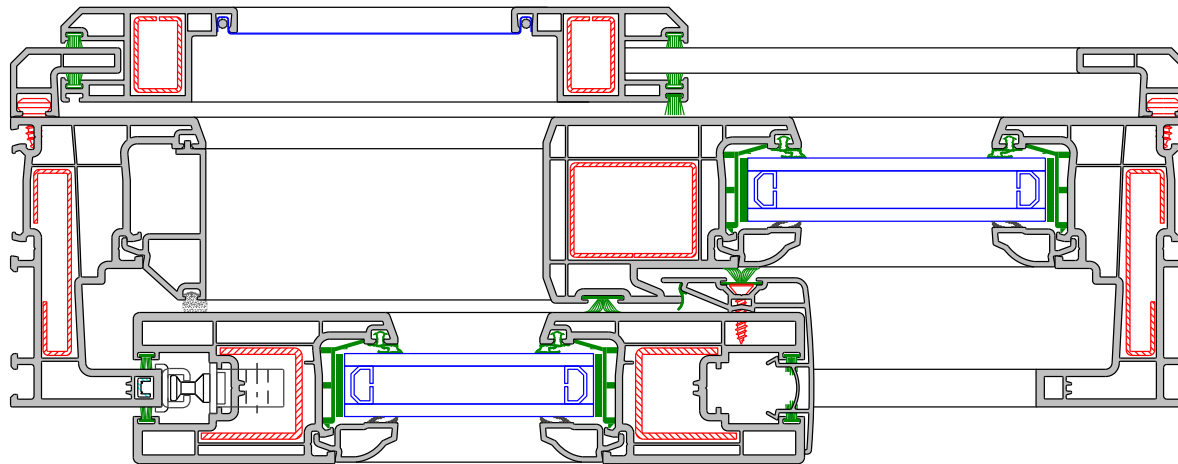


A - A

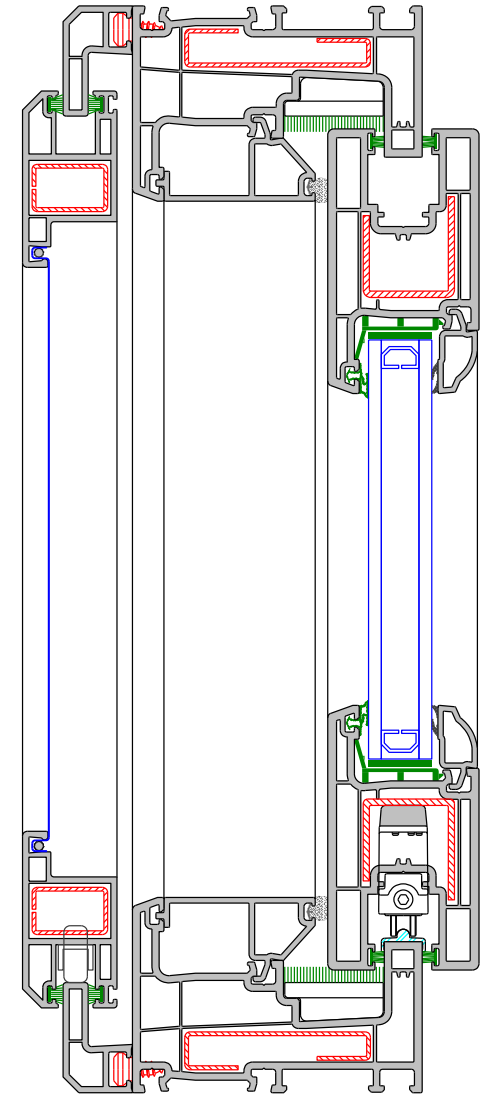


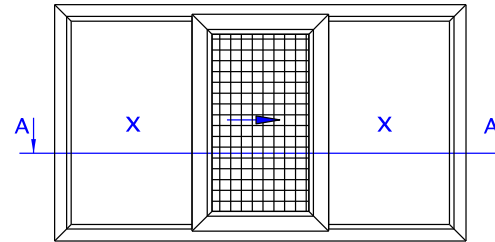


B - B

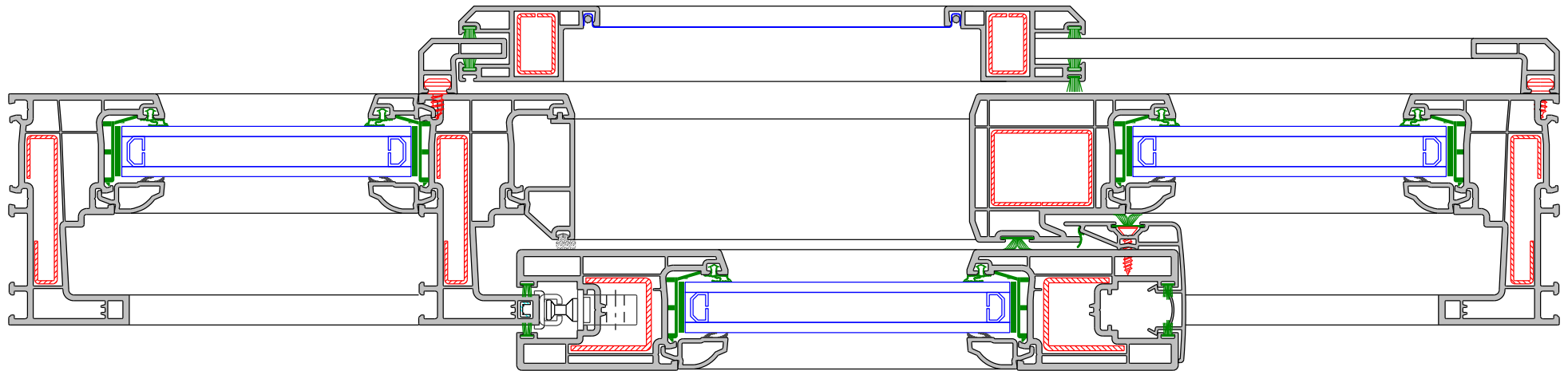


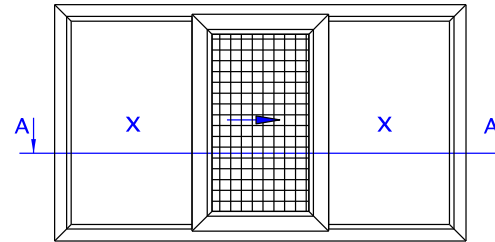
A - A



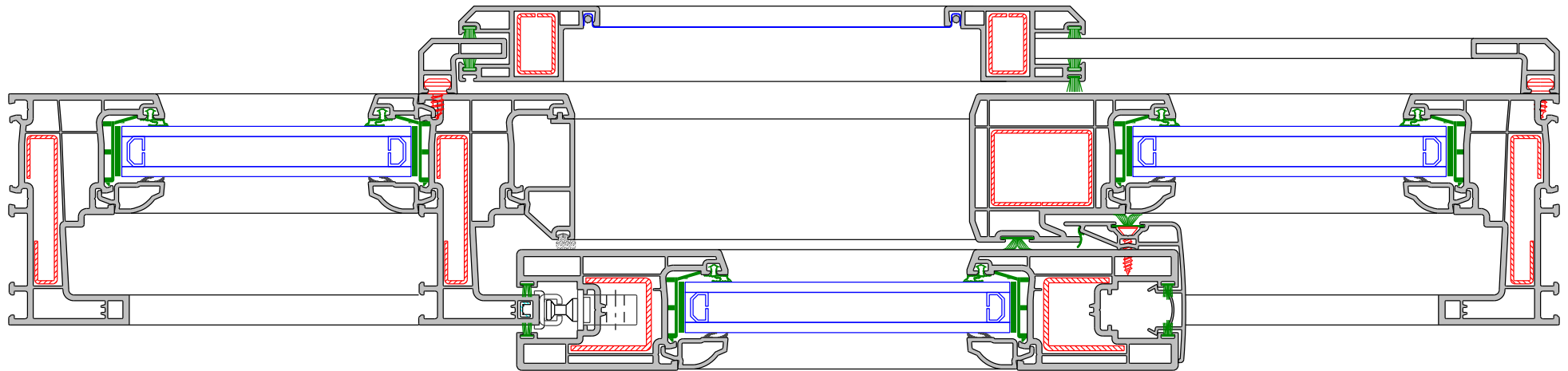


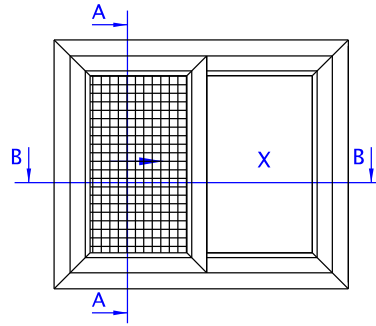
A - A





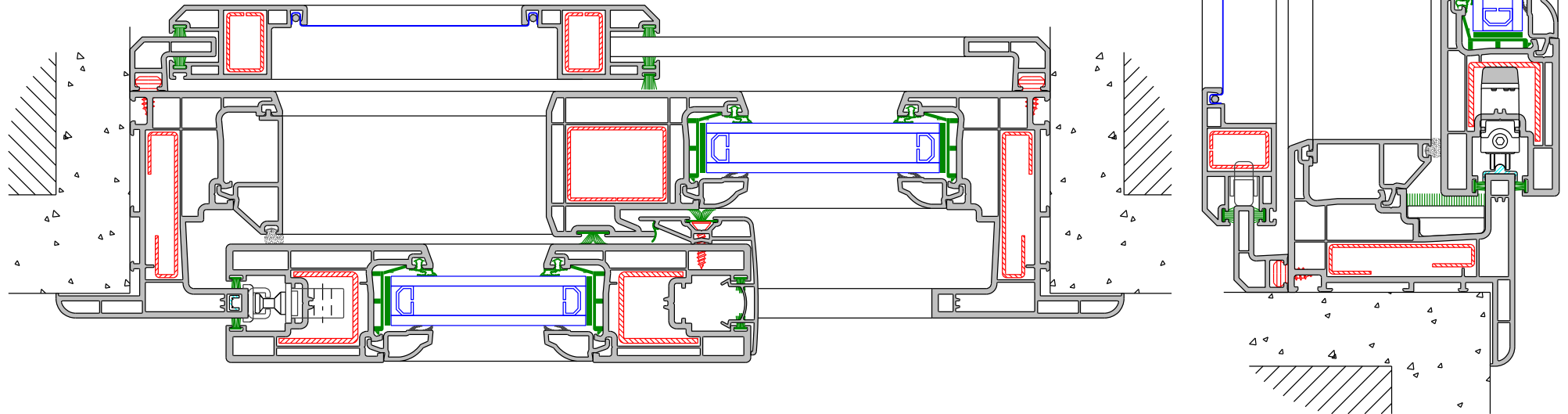
A - A

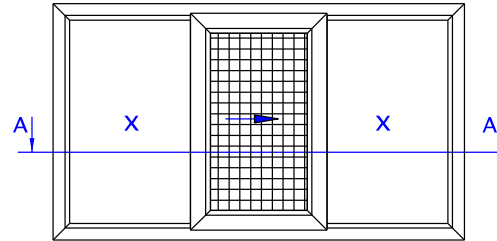




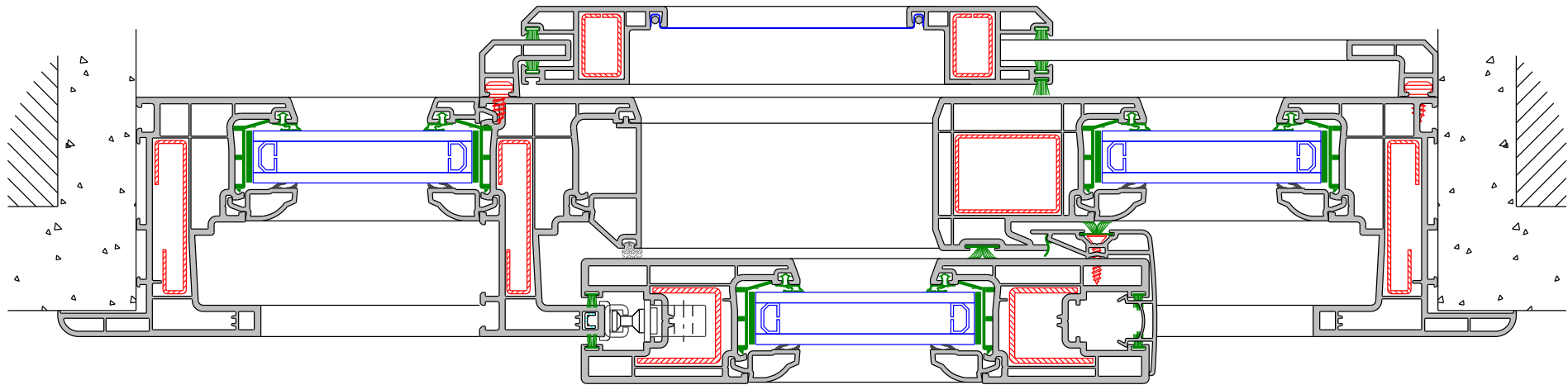
A - A

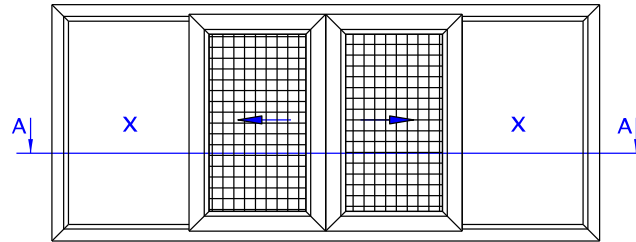
B - B



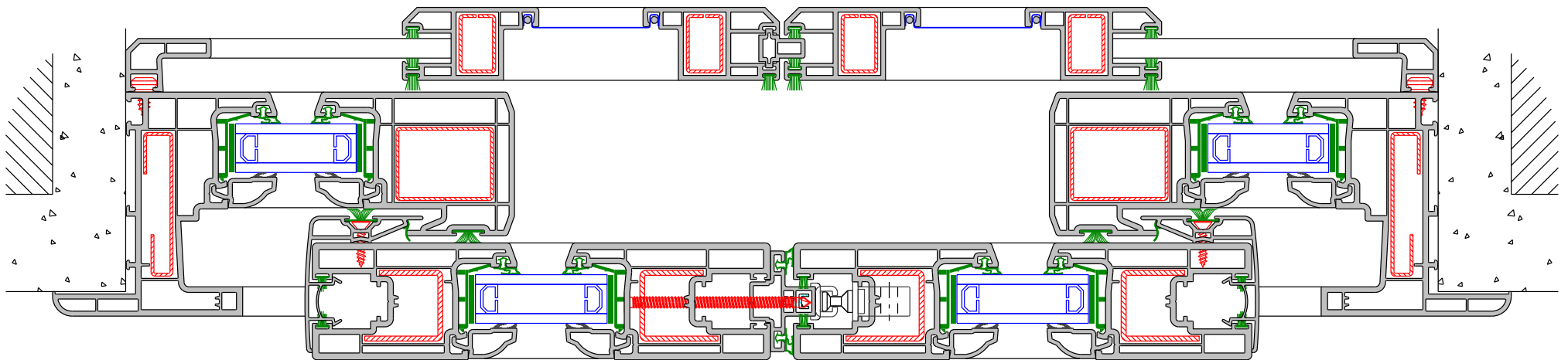


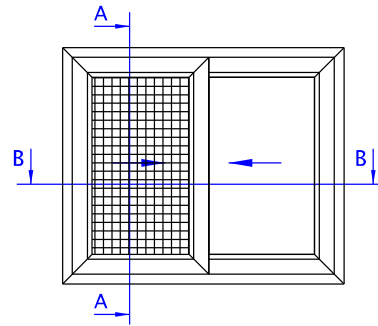
A - A





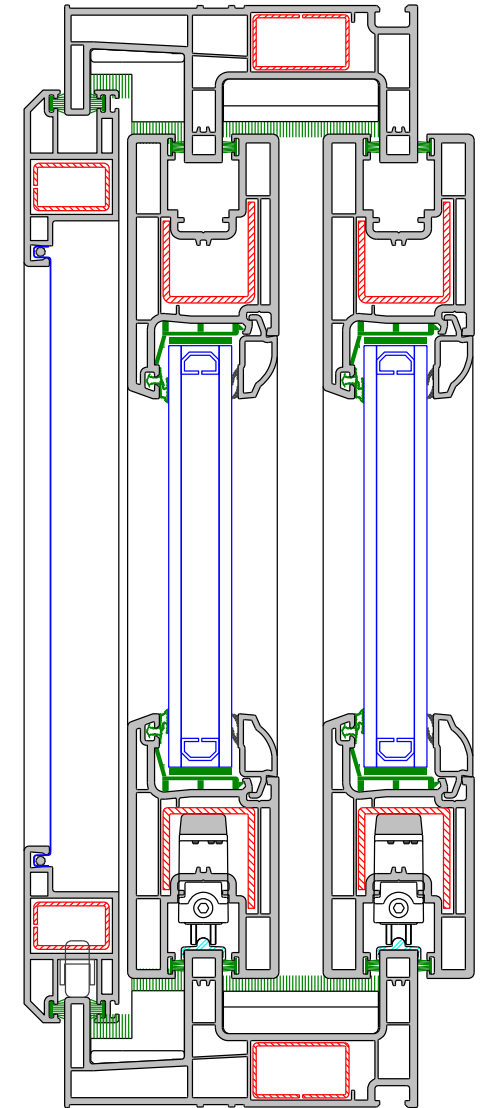
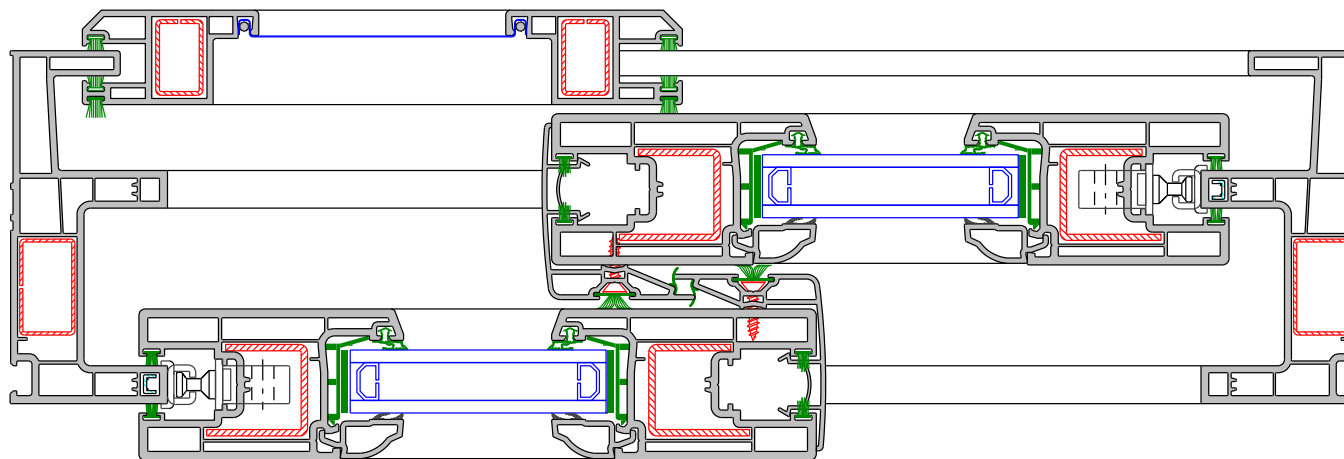
A - A

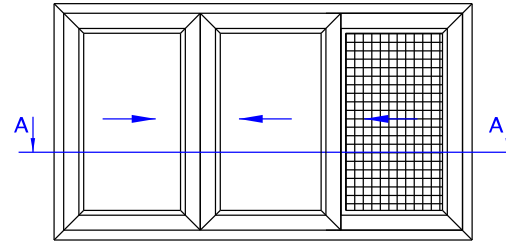




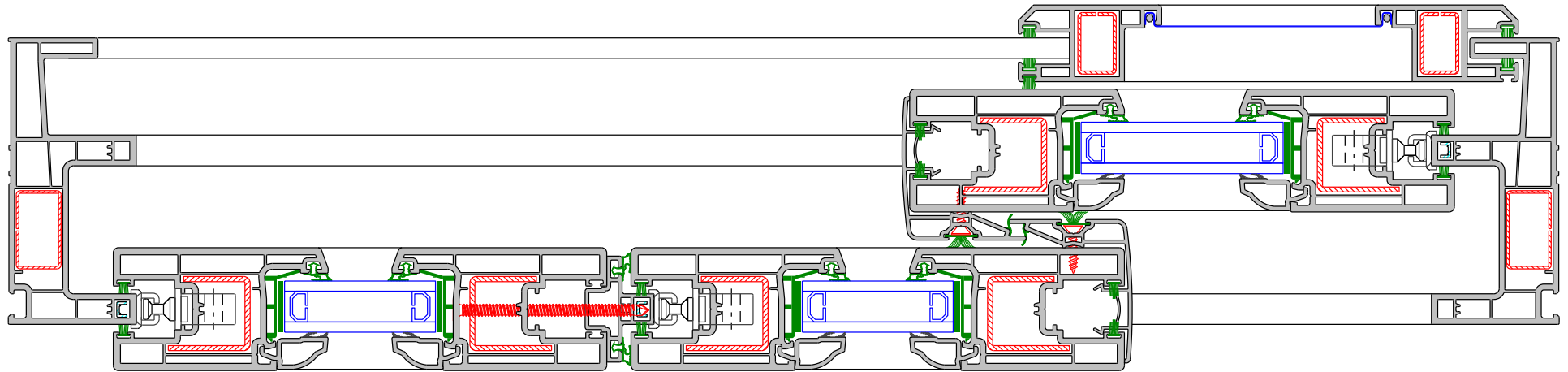
A - A

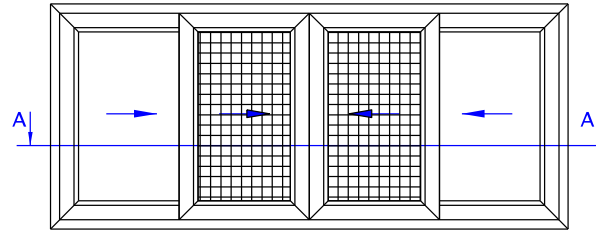
B - B



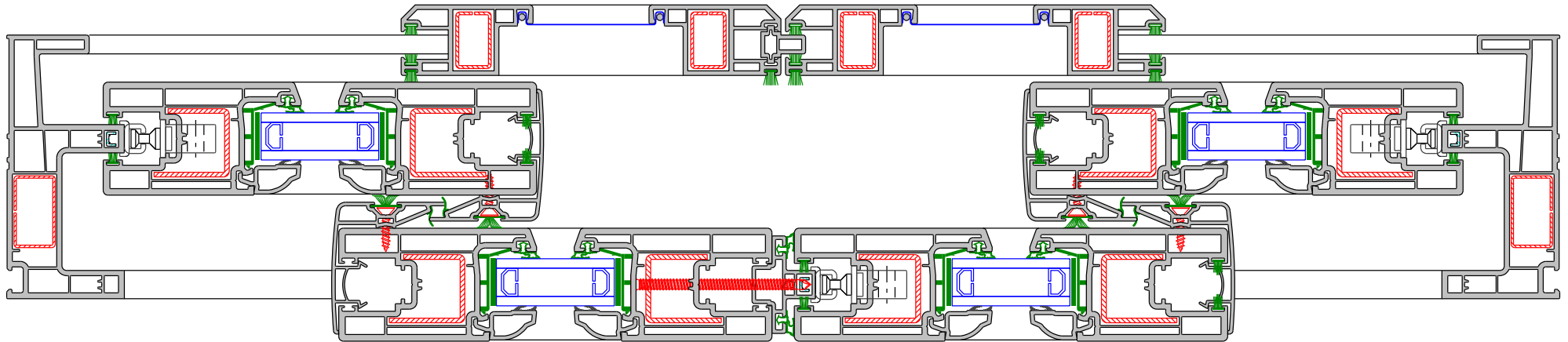


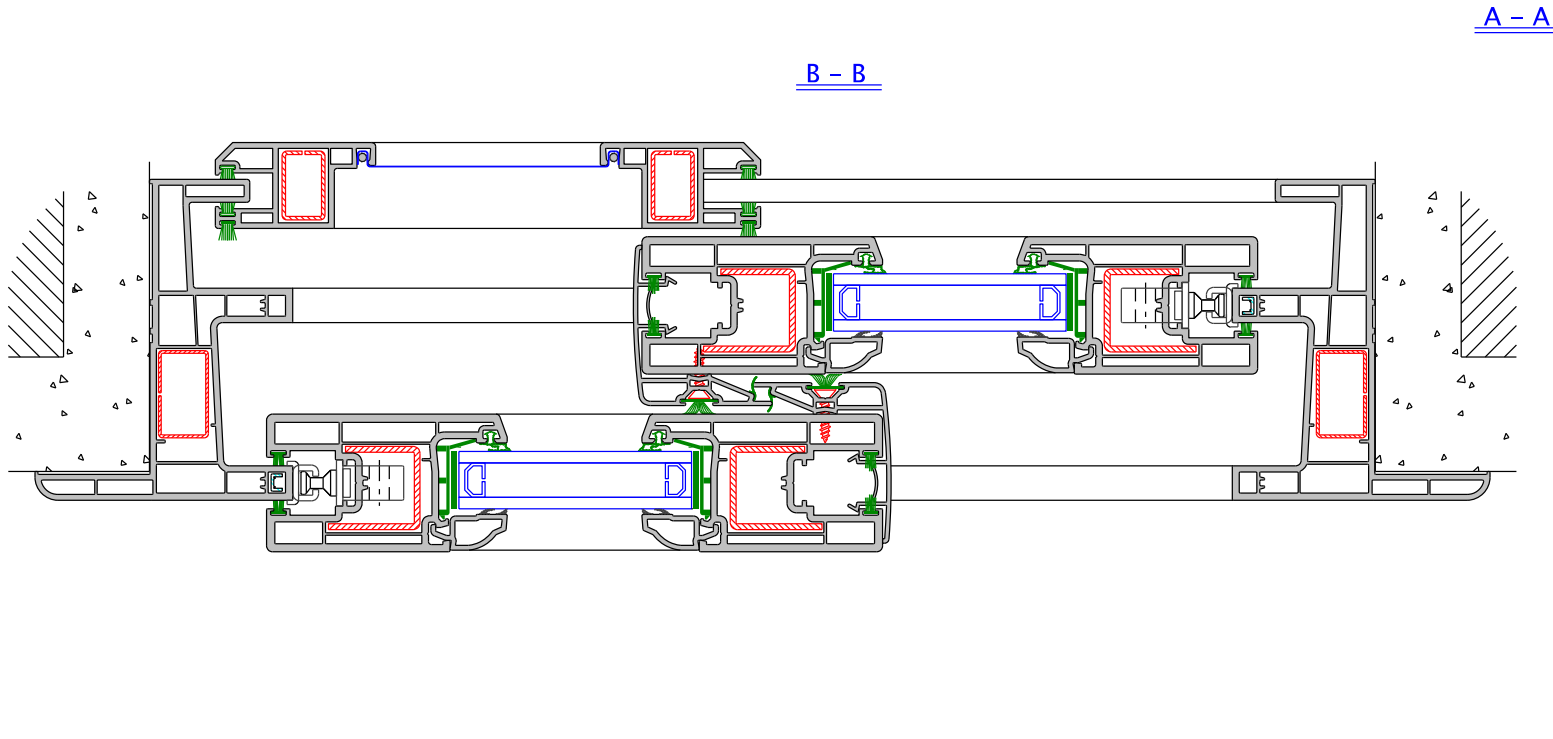
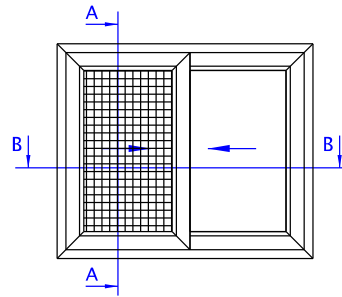
A - A



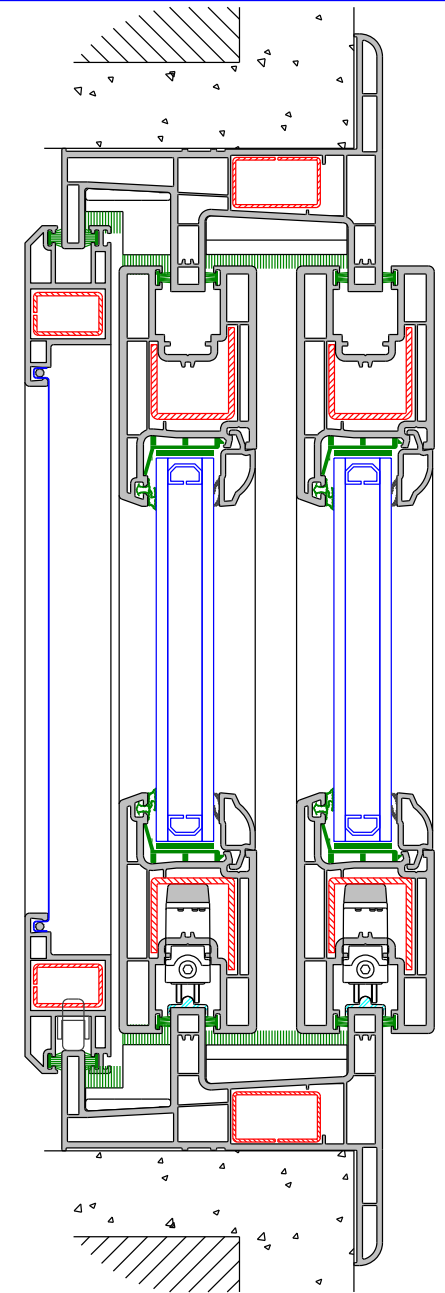


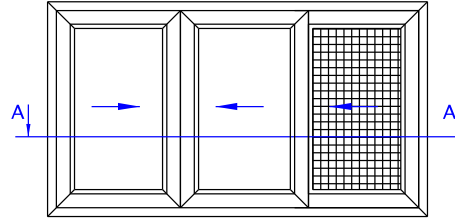
A - A



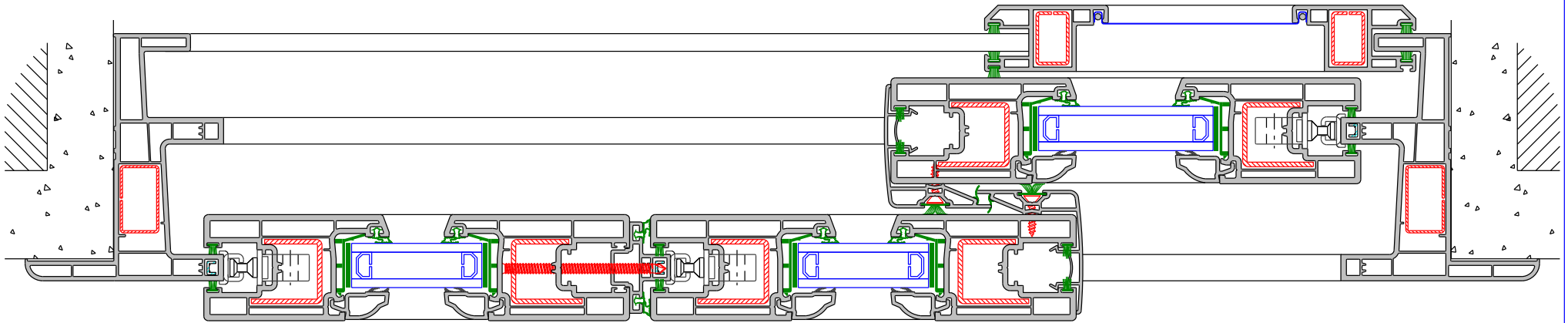


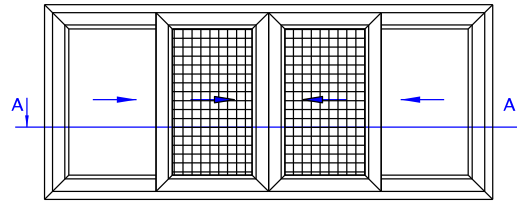
A - A



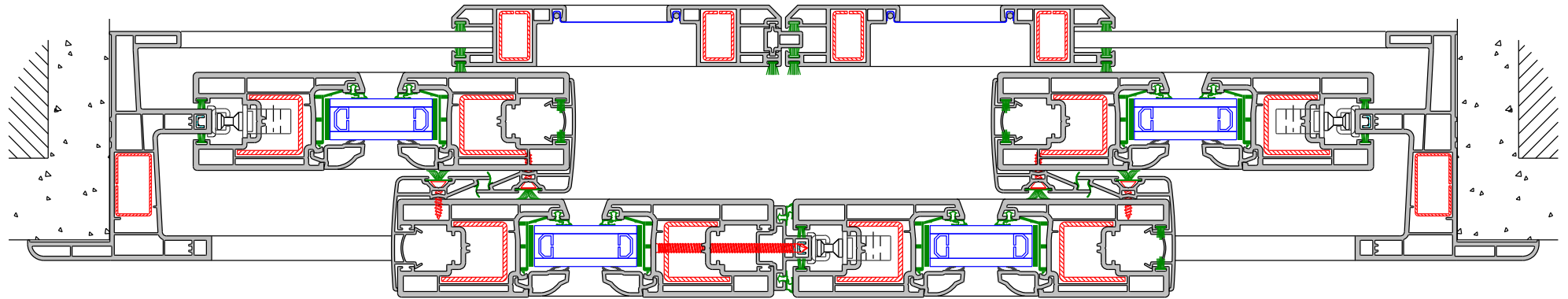


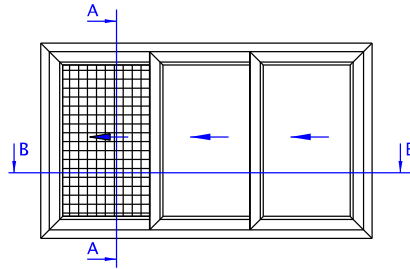
A - A





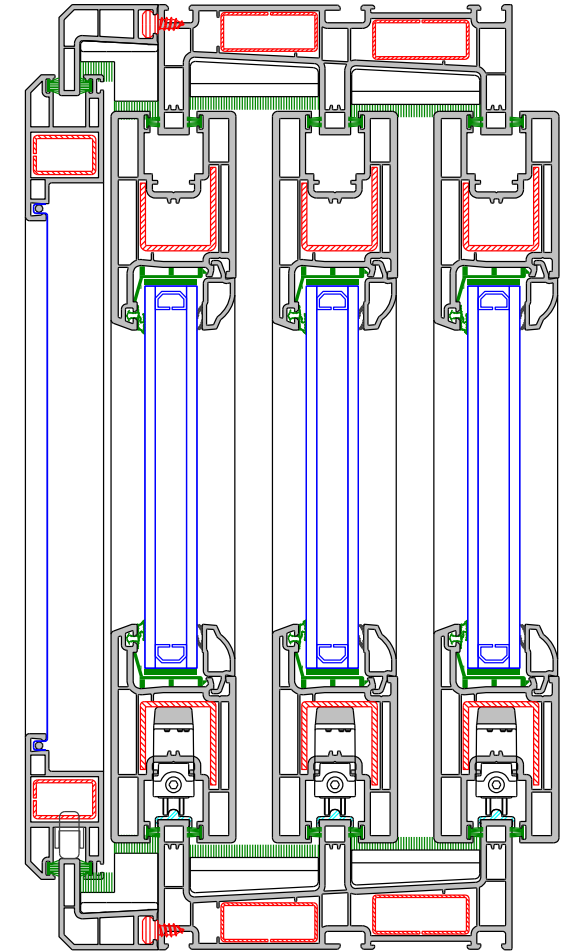
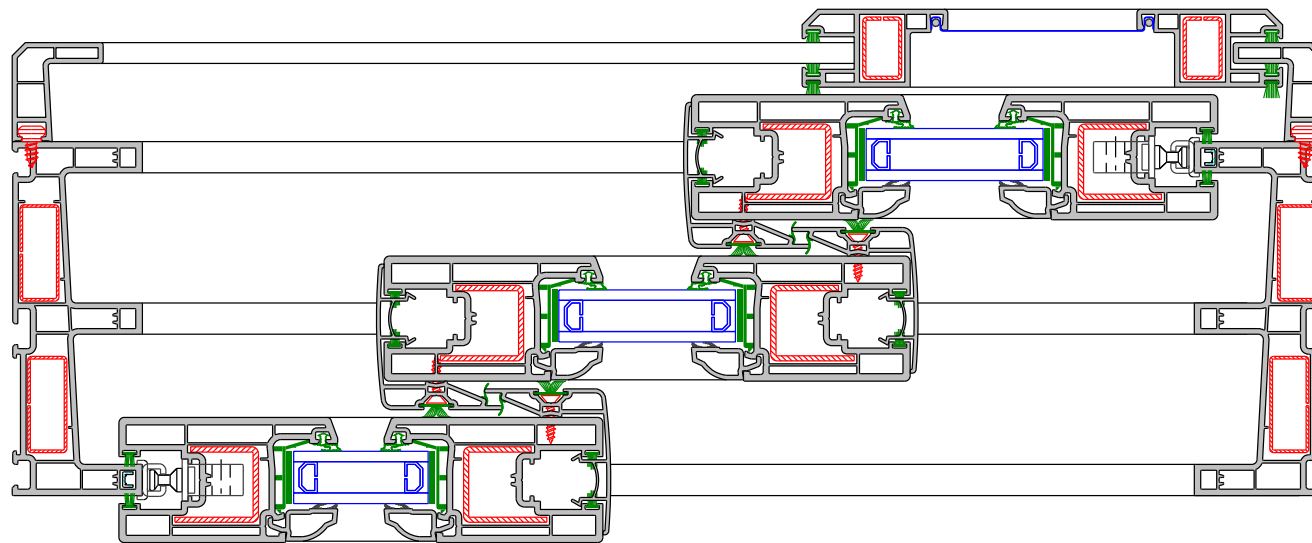
A - A

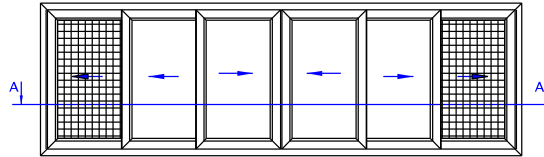




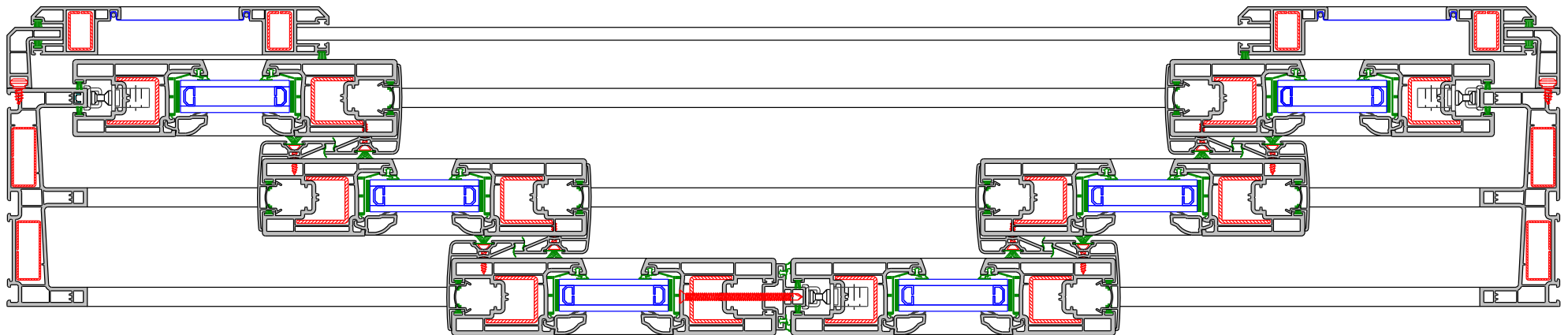
A - A

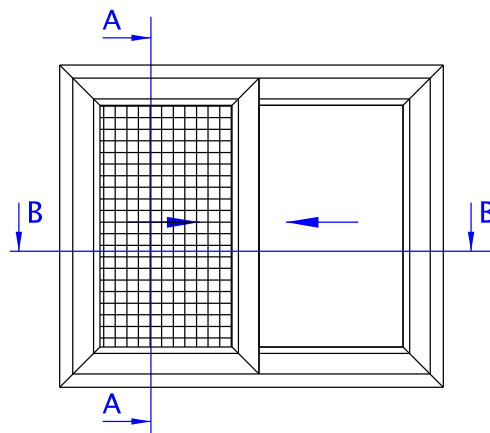
B - B





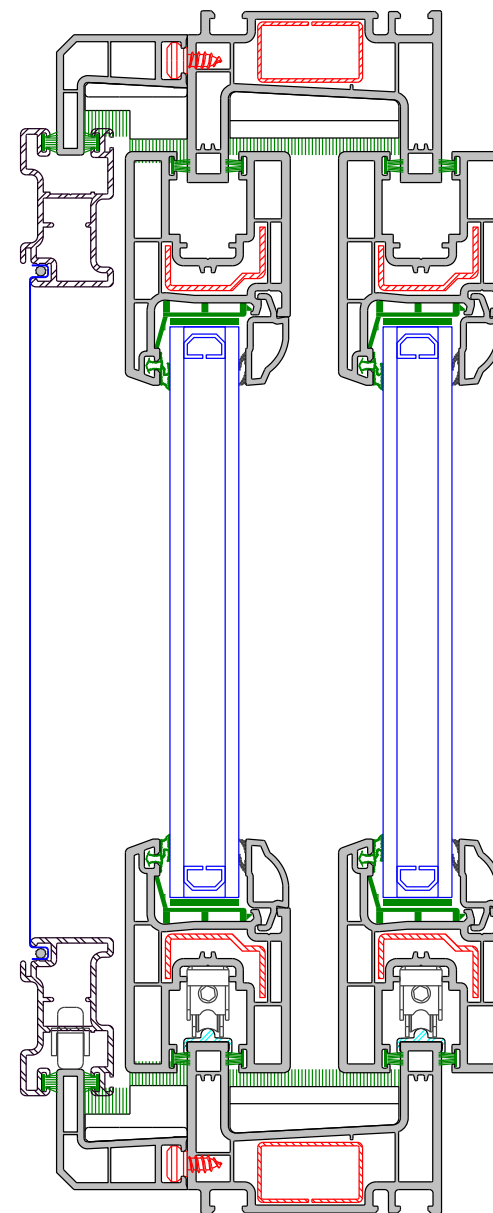
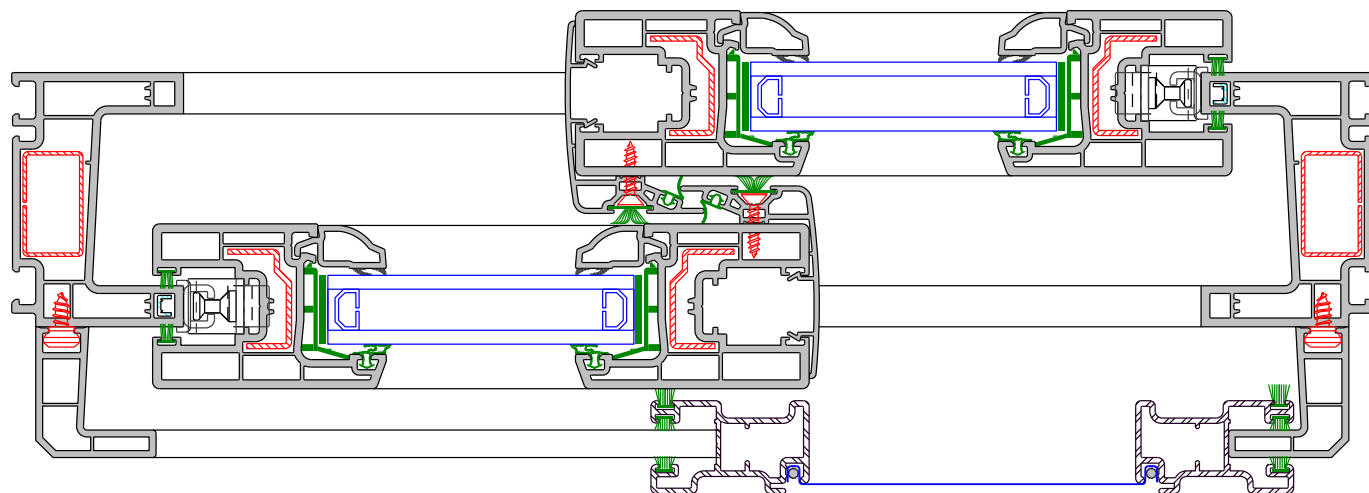
A-A

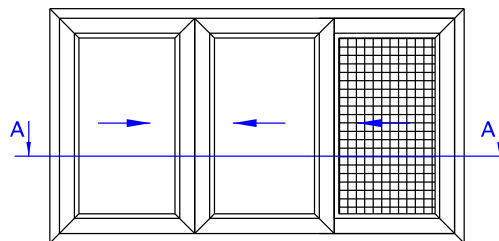




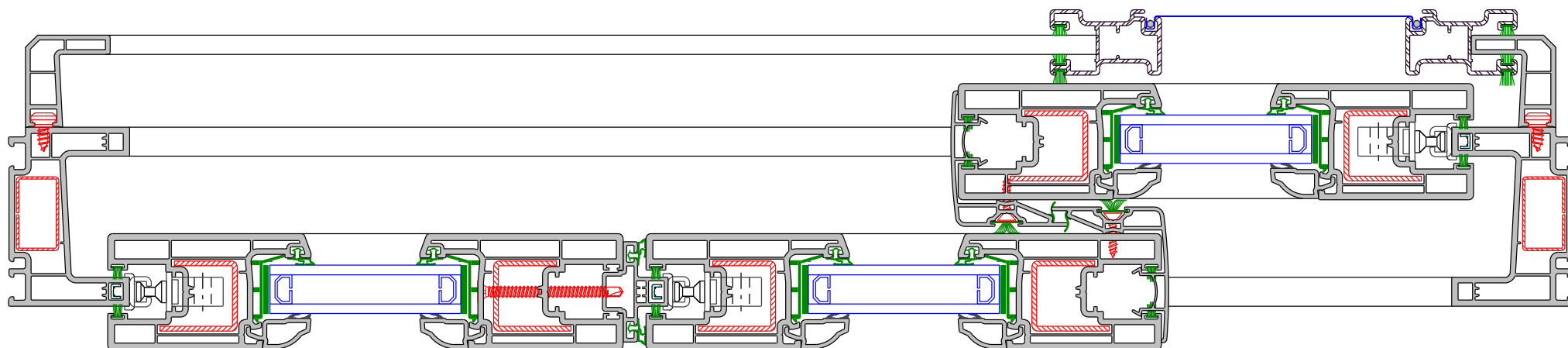
B - B

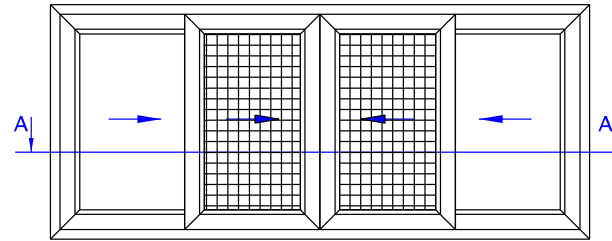
A - A



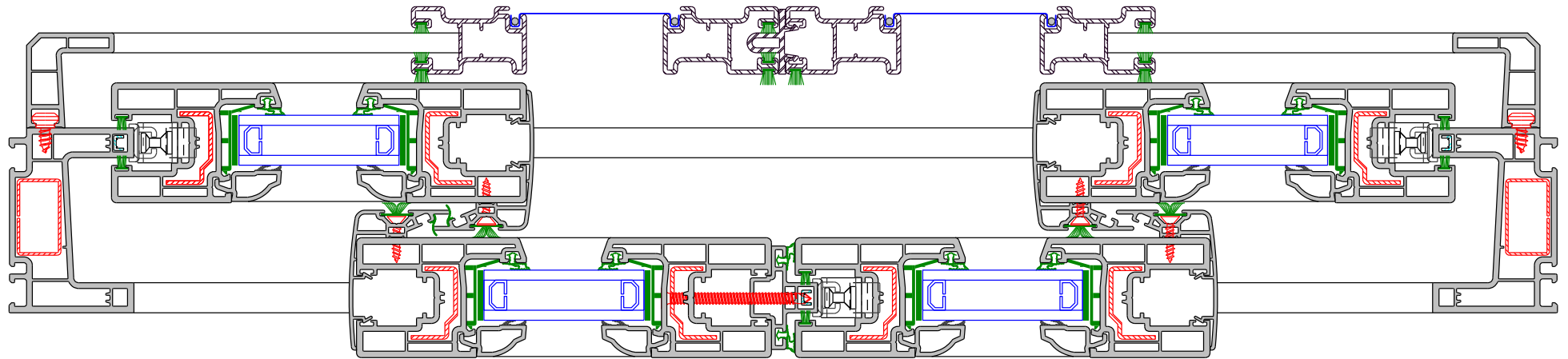


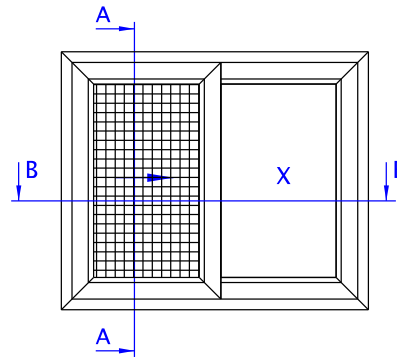
A - A





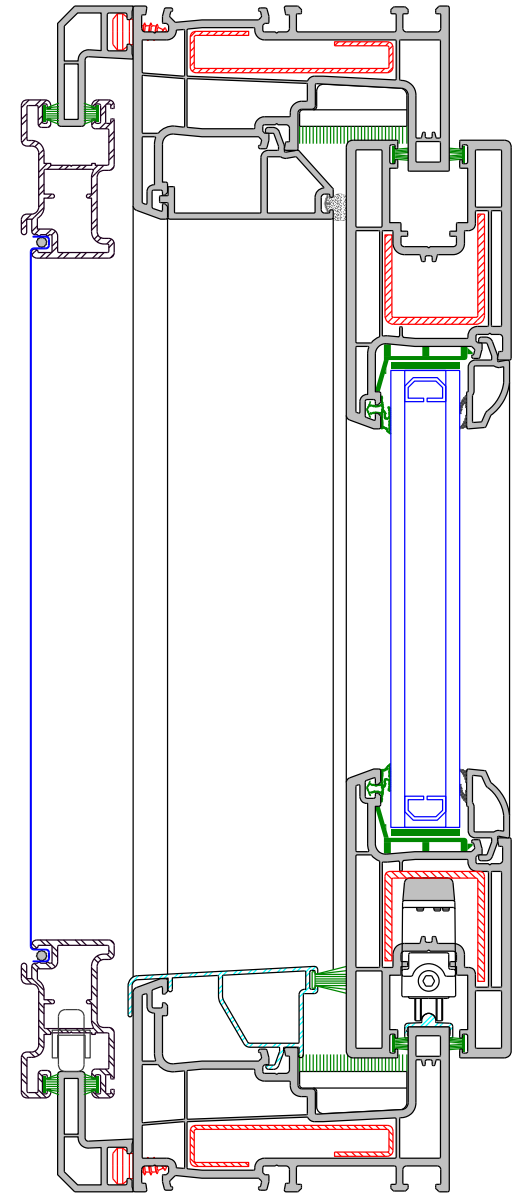
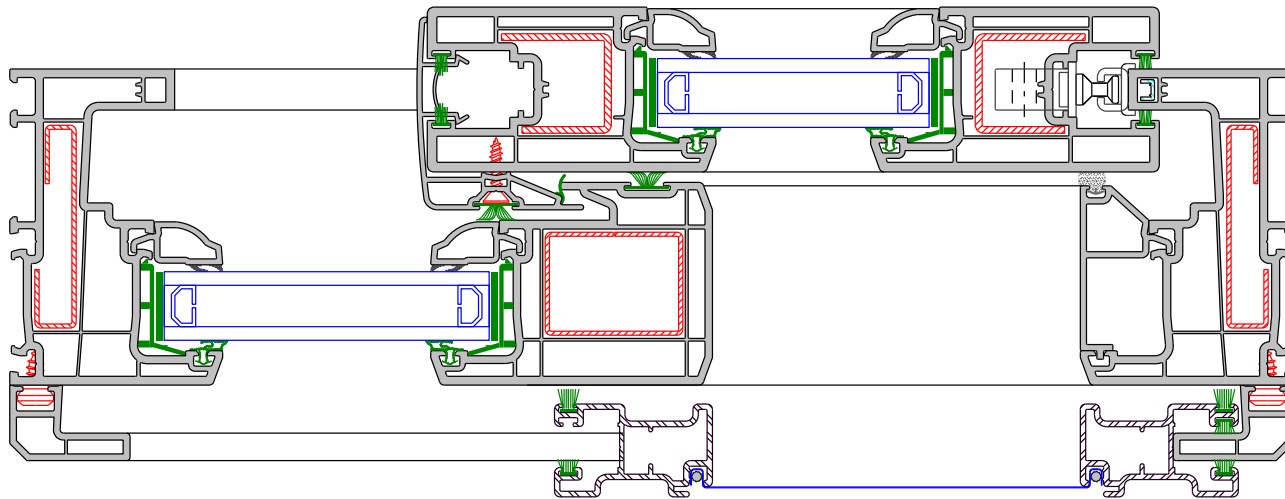
A - A

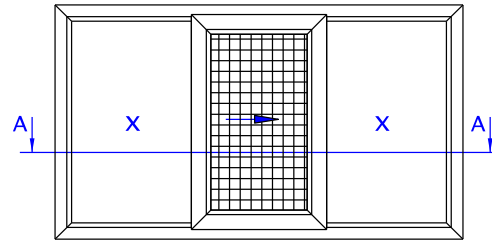




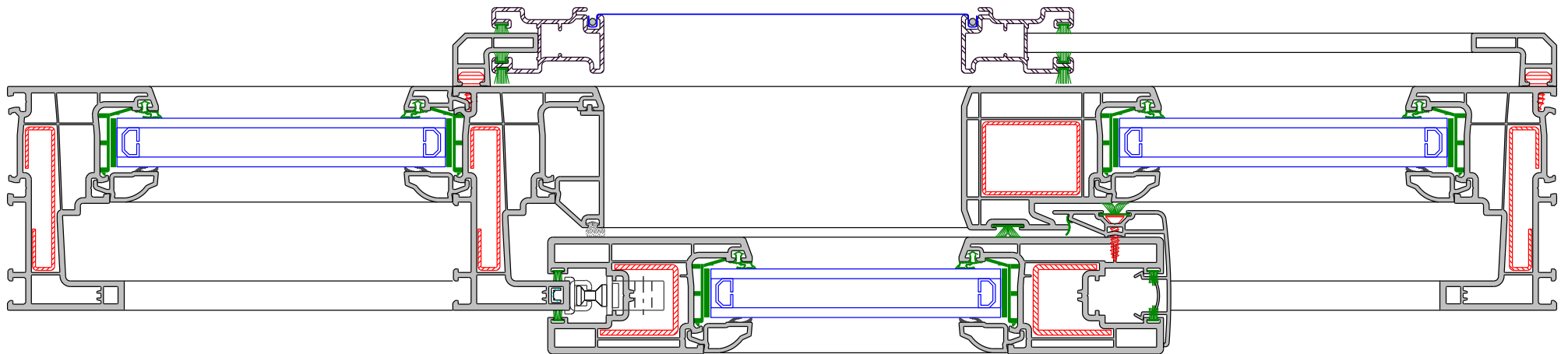
A - A

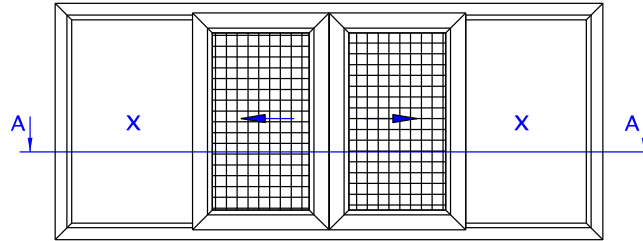
B - B





A - A





A - A

